

Constellation Galaxy Matrix

1884 / 1885

Small Arrow LED Pendant /
Arrow LED Pendant

Product Information and Warnings

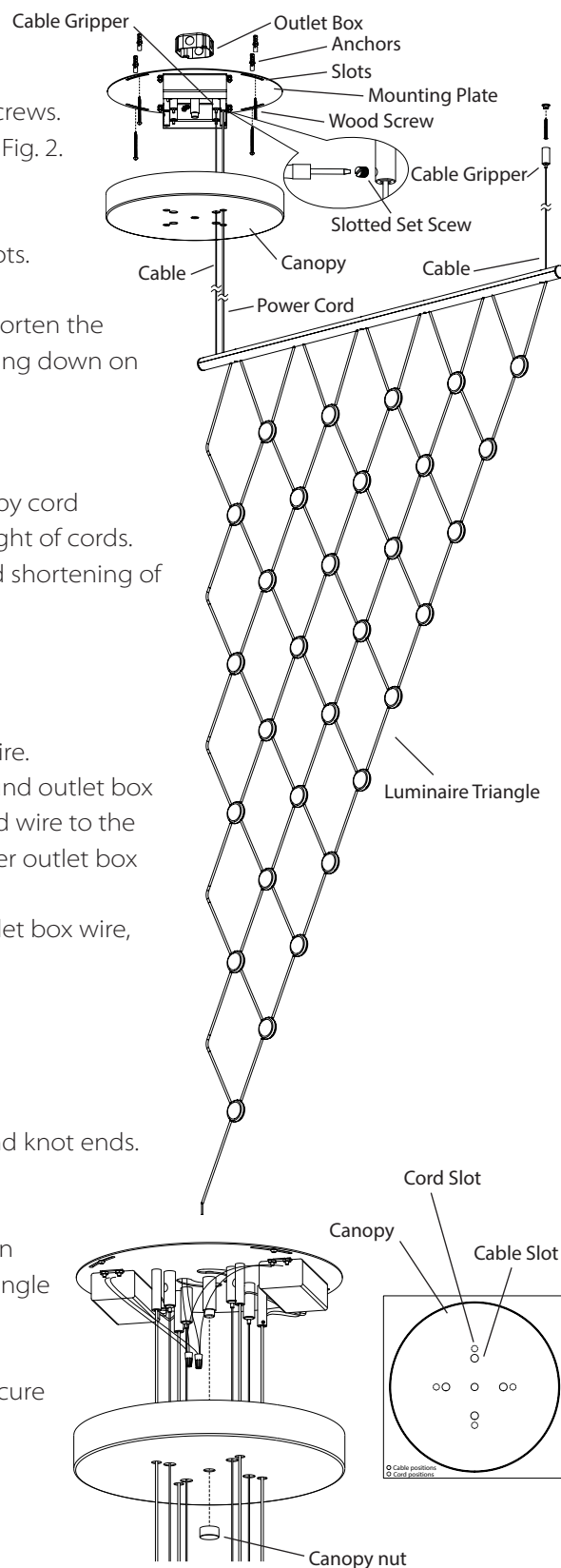
IMPORTANT

- **Always disconnect the power before installing or replacing Luminaires and before cleaning or other maintenance.**
- **Consult a qualified, licensed electrician to ensure correct branch circuit conductor.**
- ***Consulter un électricien qualifié pour vous assurer que les conducteurs de la dérivation sont adéquats.***
- Please read all included assembly instructions and warnings carefully before installation. Contact Customer Service if you have any questions or concerns. Before installation, please confirm that the fixture is compatible with your supply voltage and dimming system, if present.
- LEDs are highly sensitive electronic devices, and must be treated with care. Do not open any factory sealed compartments, and avoid touching the LEDs with your hands or any object.
- Although all our fixtures are equipped with protective devices, LED electronic systems are vulnerable to power surges and supply variations. Do not install LED fixtures on the same circuit as any motors, appliances, or HVAC systems.
- Do not remove or bypass any LED Driver or Transformer that is provided with the fixture, and do not replace or substitute with another power supply.
- Fixtures must be wired in parallel on independent leads; do not "daisy chain" multiple fixtures together or wire them in series.
- All factory-made splices and connections must remain intact. LED circuits are carefully designed and built, and improper connections may damage the fixture.
- The ends of coaxial pendant cords have been precisely stripped and split at the factory and must not be field cut. Excess cord or cable should be neatly coiled and reserved in the fixture canopy.
- Any mounting hardware is provided for your convenience and should be used with discretion. Always use the appropriate hardware for the mounting surface.

Assembly Instructions

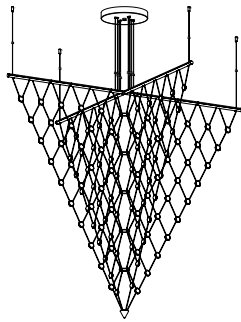
Instructions D'Installation

1. Shut off power to the outlet box.
2. Using Fig. 1, mark locations on ceiling for canopy and cable drops.
3. Secure the mounting plate to the ceiling using the slots and wood screws. Install the anchors and mounting brackets using screws, as shown in Fig. 2.
4. With one of the four luminaire triangles, insert both cables into cable grippers. Ensure that cable for canopy goes through canopy cable slots. Secure far-end cable gripper to mounting bracket. Adjust the steel cables to level the fixture to the desired height. To shorten the cable, push the cable up; to lengthen, push in the plunger while pulling down on the cable, release the plunger to lock. Repeat with other three luminaire triangles.
5. Pass the power cords from each luminaire triangle through the canopy cord slots. Use the screwdriver to loosen the slotted set screws. Adjust height of cords. Tighten the set screws to set. Reserve extra cord in the canopy. If field shortening of the cord is necessary, see Appendix A.
6. Make appropriate electrical connections following Appendix B:
 - a. Connect the LED drivers' live wires to the live outlet box wire.
 - b. Connect the LED drivers' neutral wires to the neutral outlet box wire.
 - c. Connect the fixture's ground wire (green or uncoated) to the ground outlet box wire. If no ground is present in outlet box, connect fixture's ground wire to the mounting plate positive (+) dimmer wire (purple) to the (+) dimmer outlet box wire, otherwise cap off the wire with a wire nut.
 - d. Connect the negative (-) dimmer wire (grey) to the (-) dimmer outlet box wire, otherwise cap off the wire with a wire nut.
 - e. Carefully place connections in canopy.
7. Install canopy to mounting plate and secure with canopy nut.
8. Following Fig. 3, thread bottom ends of cords through weight cap and knot ends. Using countersunk screw to secure cap to weight.
9. Following Fig. 4, create a gap in the retaining rings by pressing ends in opposite directions, then pass the gap over each of the luminaire triangle connection points (Fig. 5).
10. Following Fig. 6, install connector into four luminaire triangles and secure with hex screws with provided Allen key.
11. Restore power to the outlet box.

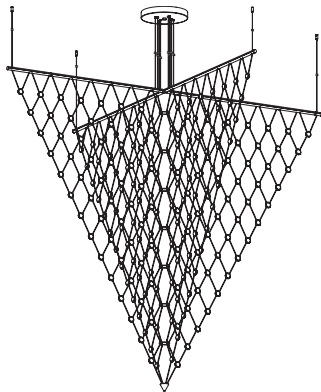


Note:
**This fixture is dimmable with ELV (Trailing-Edge),
 Incandescent (Leading-Edge), and 0-10V type dimmers only.**

Care Instructions:
 Use a clean, dry cloth when dusting.
 To protect the finish, avoid any harsh
 abrasives or chemicals.



1884 (Small)



1885 (Large)

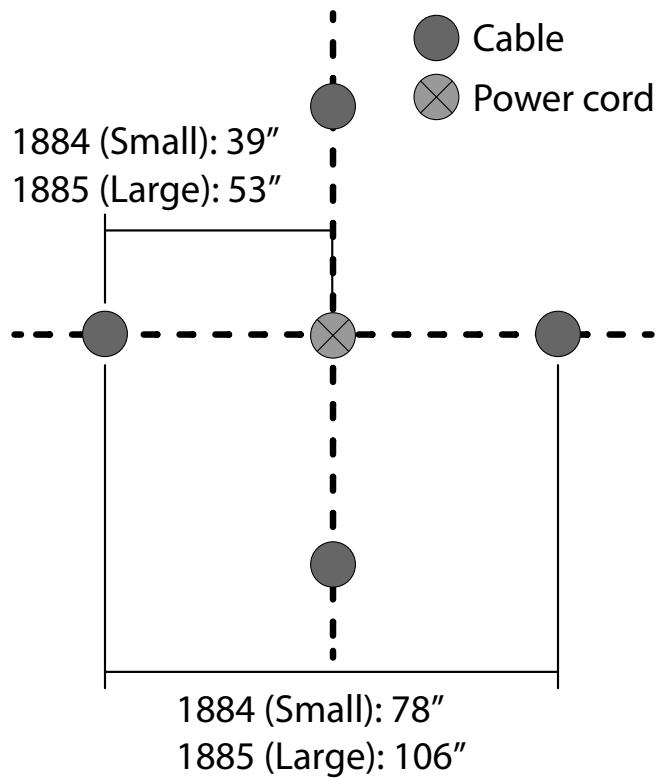


Fig. 1: Mounting Point Diagram

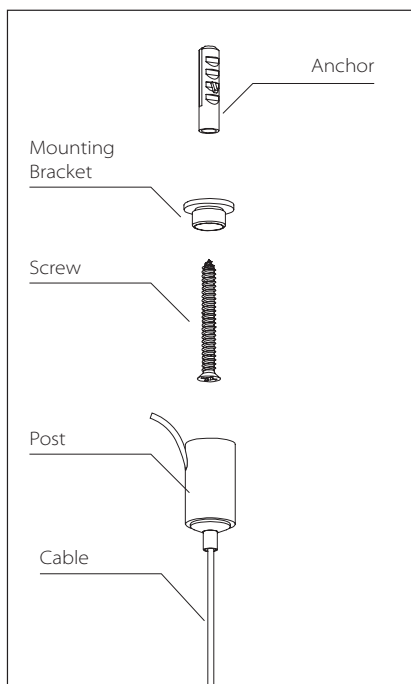


Fig. 2

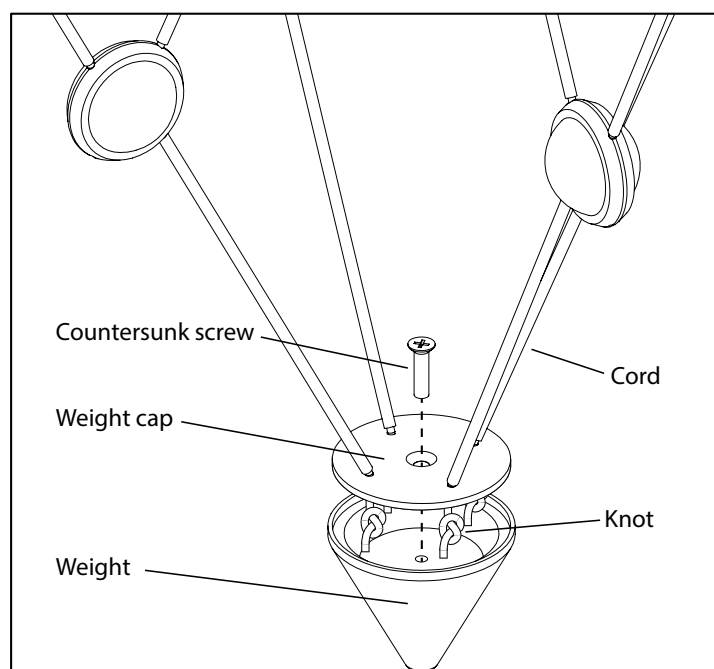


Fig. 3: Weight close-up

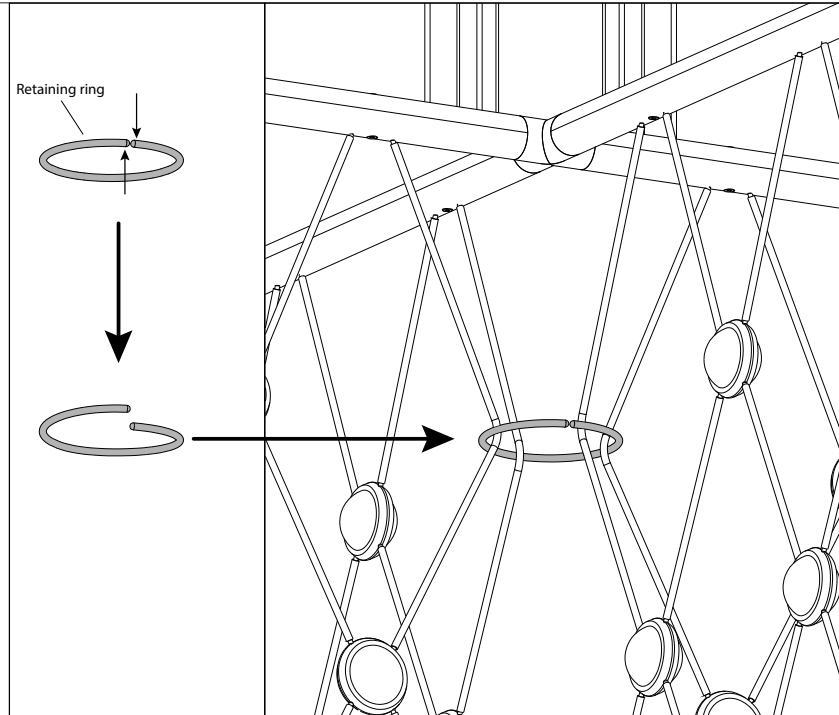


Fig. 4: Ring installation

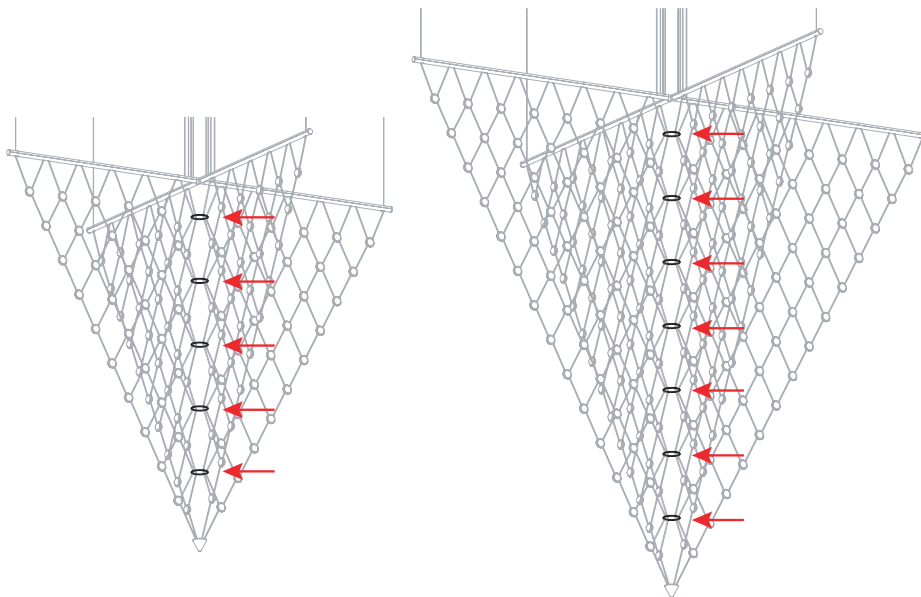


Fig. 5: Ring Positions

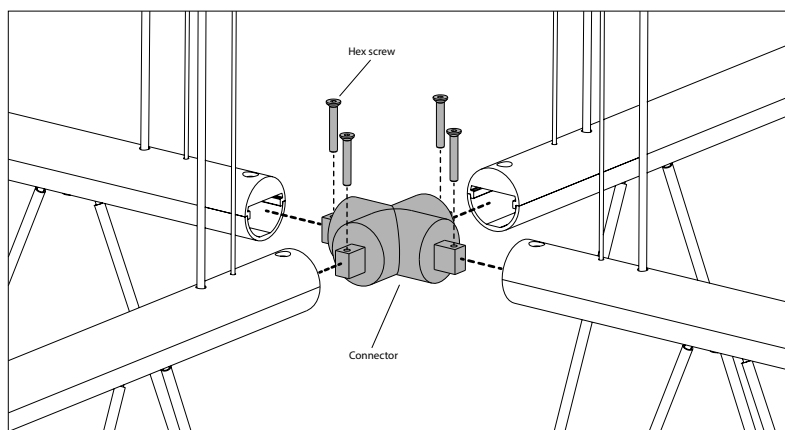
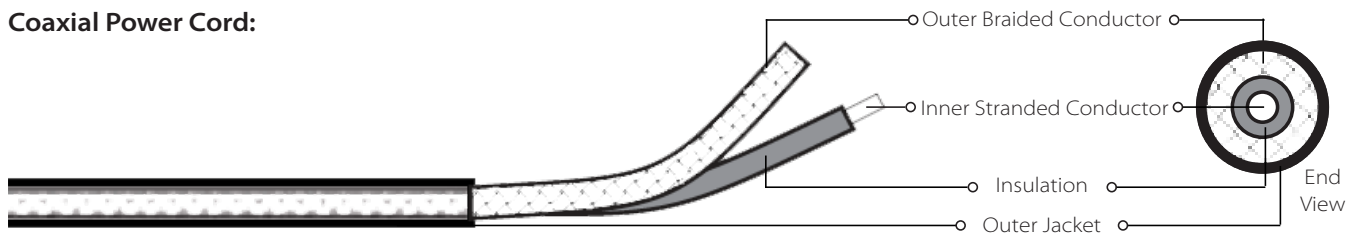


Fig. 6: Connector installation

Coax Splicing

FAILURE TO FOLLOW THESE INSTRUCTIONS WILL VOID THE WARRANTY

Coaxial Power Cord:



If field-cutting is required, please follow these instructions:

1. Make a 1" slice along the length of the cord's outer jacket (Fig. 1).
CAUTION: Do not cut through the outer braided conductor.
2. Carefully strip the outer jacket of the cord and keep the outer braided conductors intact (Fig. 1).
3. Slide the outer braided conductor back to create a bulge and reveal the inner stranded conductor (Fig. 2).
4. Bend the cord to create an opening through the bunched-up portion of outer braided conductor, then pull out the inner stranded conductor (Fig. 3)
5. Twist together the outer braided conductor to form the negative wire of the fixture, then strip 5/8" off the end of the inner stranded conductor to form the positive wire of the fixture (Fig. 4).
6. Re-splice all power cords.

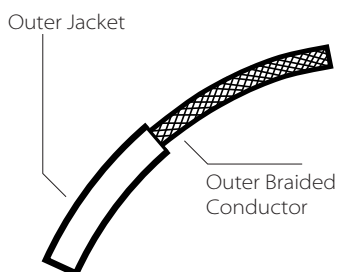


Fig. 1

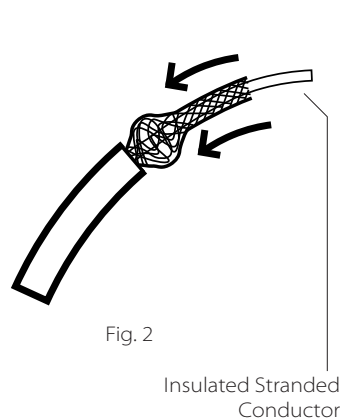


Fig. 2

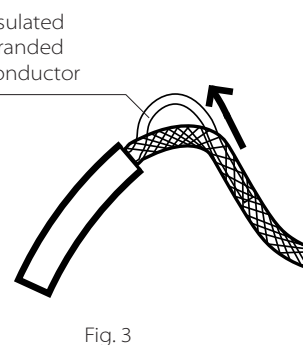


Fig. 3

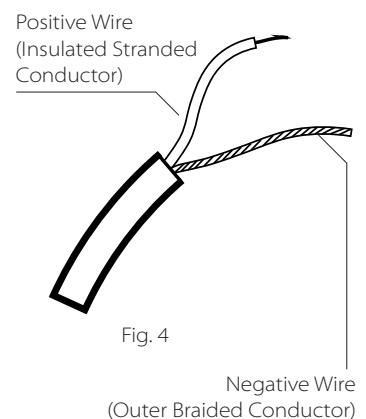


Fig. 4

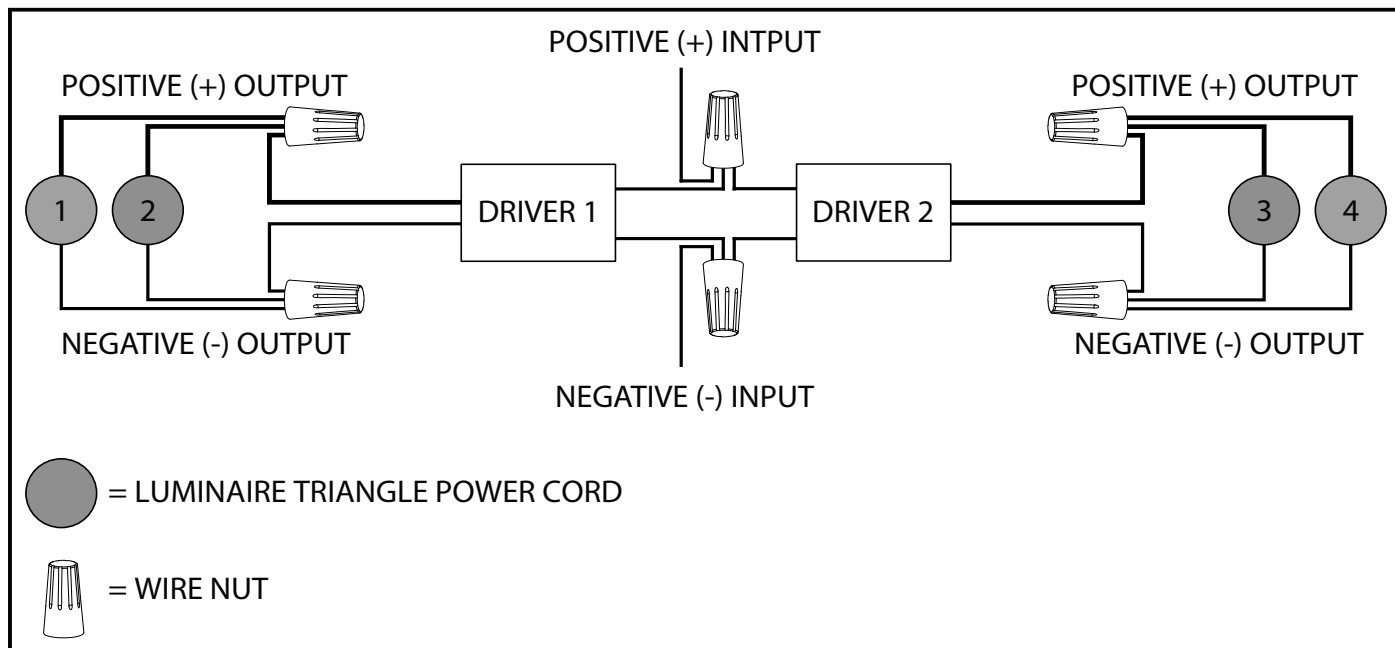


Fig. 1: Wiring Diagram 1884 (Small Arrow)

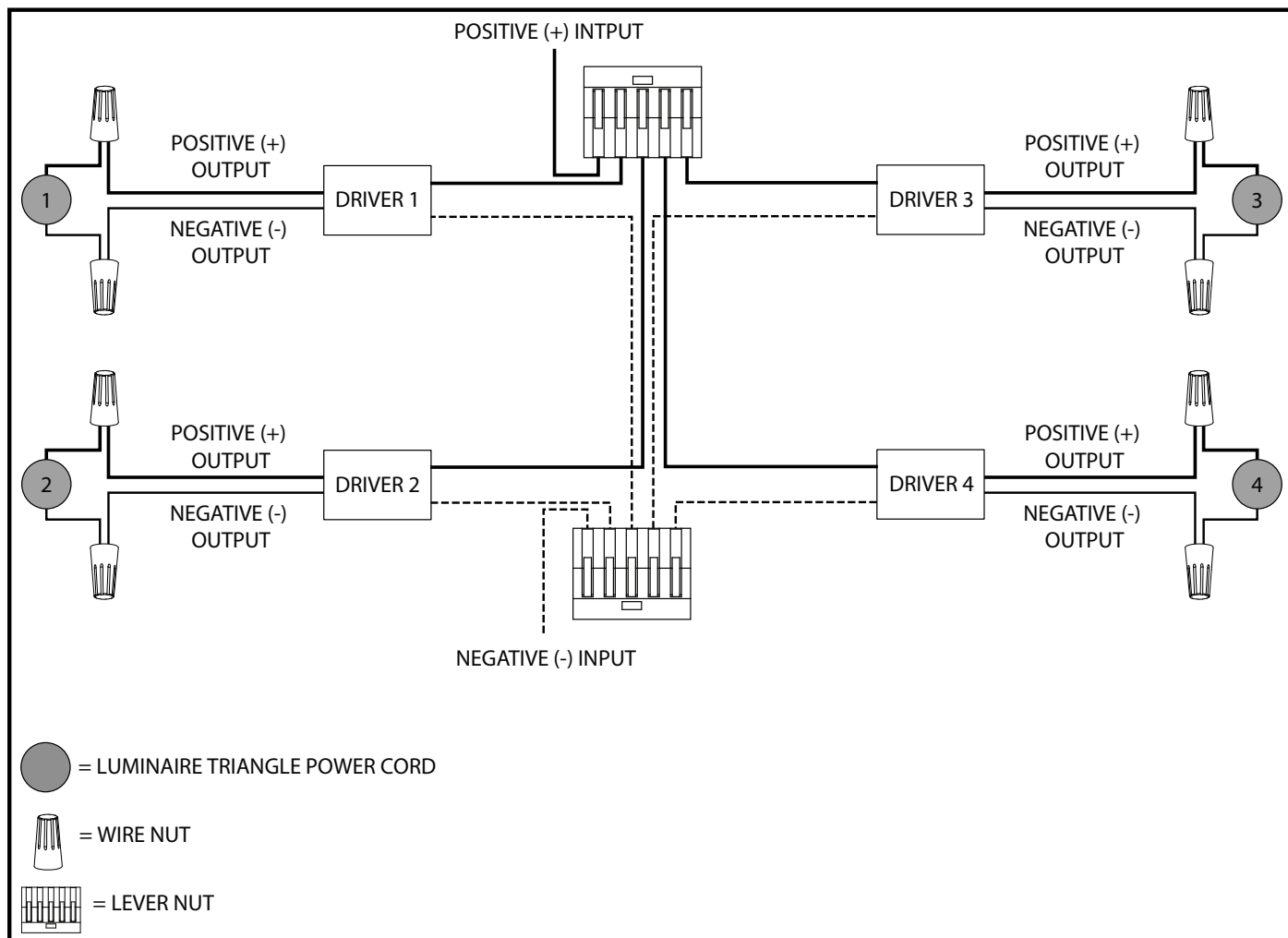


Fig. 2: Wiring Diagram 1885 (Large Arrow)