

Ray

2033, 2035, 2036

3-Light Round Pendant

5-Light Round Pendant

6-Light Rectangle Pendant

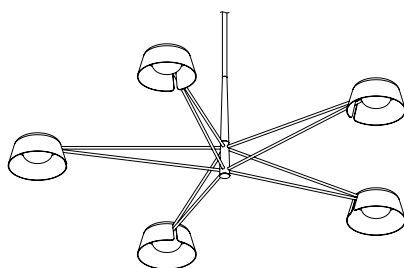
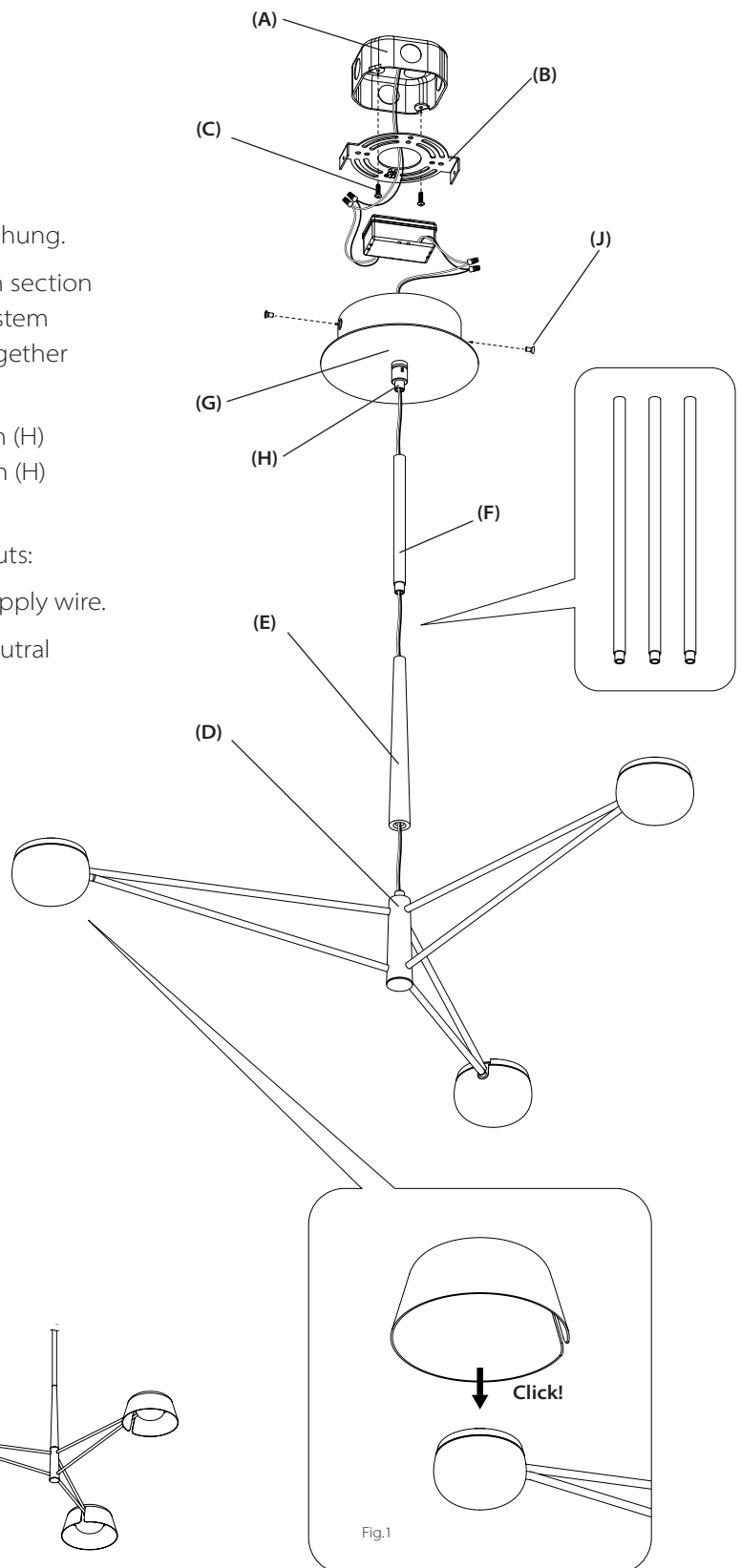
Product Information and Warnings

IMPORTANT

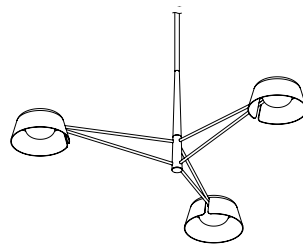
- **Always disconnect the power before installing or replacing Luminaires and before cleaning or other maintenance.**
- **Consult a qualified, licensed electrician to ensure correct branch circuit conductor.**
- **Consulter un électricien qualifié pour vous assurer que les conducteurs de la dérivation sont adéquats.**
- Please read all included assembly instructions and warnings carefully before installation. Contact Customer Service if you have any questions or concerns. Before installation, please confirm that the fixture is compatible with your supply voltage and dimming system, if present.
- LEDs are highly sensitive electronic devices, and must be treated with care. Do not open any factory sealed compartments, and avoid touching the LEDs with your hands or any object.
- Although all our fixtures are equipped with protective devices, LED electronic systems are vulnerable to power surges and supply variations. Do not install LED fixtures on the same circuit as any motors, appliances, or HVAC systems.
- Do not remove or bypass any LED Driver or Transformer that is provided with the fixture, and do not replace or substitute with another power supply.
- Fixtures must be wired in parallel on independent leads; do not "daisy chain" multiple fixtures together or wire them in series.
- All factory-made splices and connections must remain intact. LED circuits are carefully designed and built, and improper connections may damage the fixture.
- The ends of coaxial pendant cords have been precisely stripped and split at the factory and must not be field cut. Excess cord or cable should be neatly coiled and reserved in the fixture canopy.
- Any mounting hardware is provided for your convenience and should be used with discretion. Always use the appropriate hardware for the mounting surface.

2033, 2035

1. Shut off power to the outlet box (A).
2. Attach the mounting plate (B) to the outlet box (A), secure with outlet box screws (C).
3. Determine the height at which the fixture (D) is to be hung.
4. Feed the fixture wires through the main tapered stem section (E), then through the appropriate number of straight stem sections (F) for the desired height and screw them together and into the fixture (D).
5. Feed the fixture wires through the Hang Straight stem (H) and into the canopy (G). Screw the Hang Straight stem (H) onto the assembled stem sections and fixture.
6. Make appropriate electrical connections using wire nuts:
 - a. Connect the Power Supply's live wire to the live supply wire.
 - b. Connect the Power Supply's neutral wire to the neutral supply wire.
 - c. Connect the fixture's ground wire (green or uncoated) to the ground supply wire.
 - d. Connect the Power Supply's positive (+) output wire to fixture red wire.
 - e. Connect the Power Supply's negative (-) output wire to fixture black wire.
7. Carefully place connections and driver in the canopy (G).
8. Attach canopy (G) to mounting plate (B) with screws (J).
9. Place the slotted shades onto the luminaires (Fig.1), there will be a "Click" as the magnet engages.
10. Restore power to the outlet box.



2035



2033

Note:

This fixture is dimmable with Electronic Low Voltage (Trailing-Edge), Incandescent (Leading-Edge), and 0-10V type dimmers only.

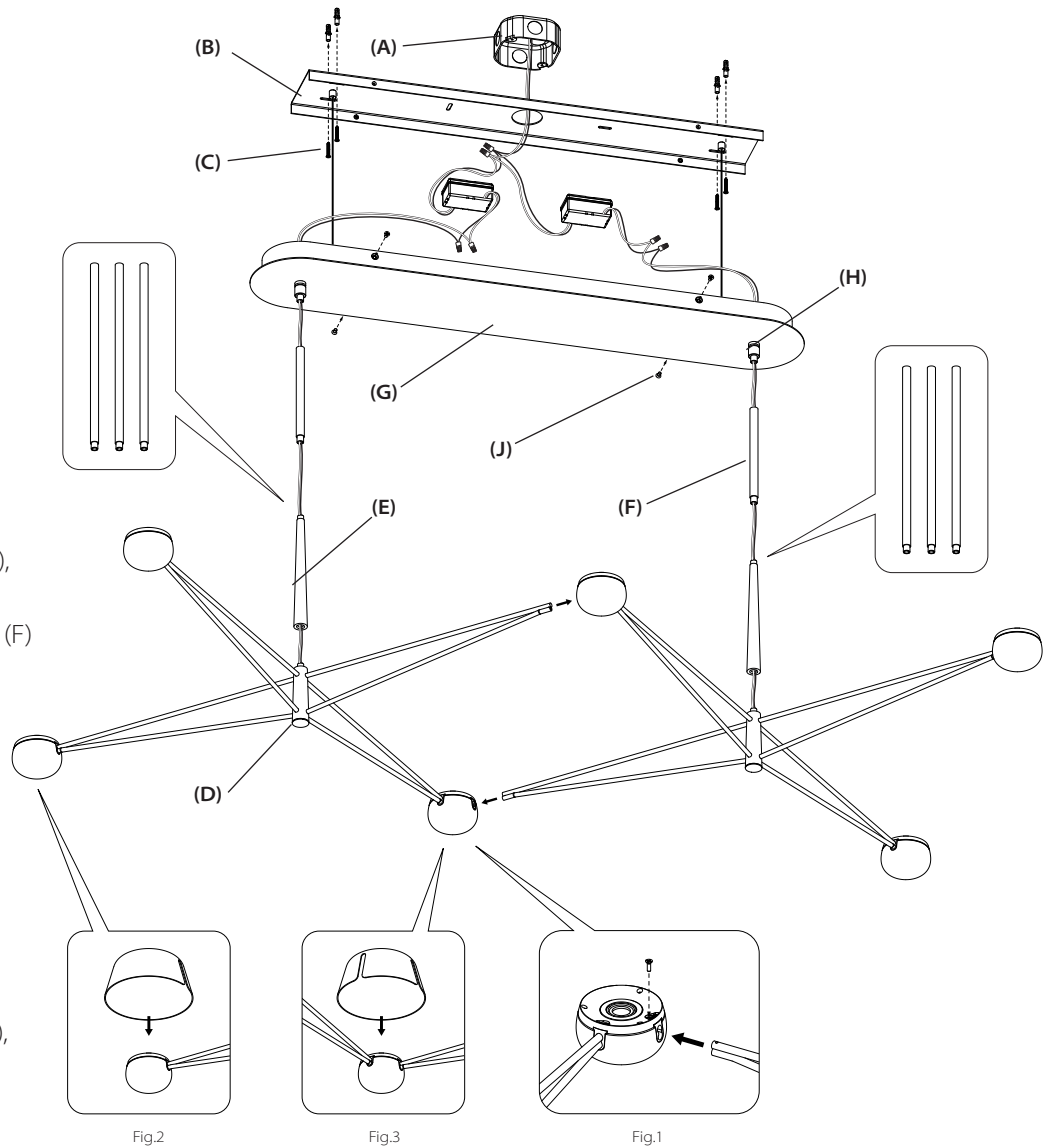
Multiple U.S. and foreign patents pending.

Care Instructions:

Use a clean, dry cloth when dusting. To protect the finish, avoid any harsh abrasives or chemicals.

2036

1. Shut off power to the outlet box (A).
2. Secure the mounting plate (B) to the ceiling with wall anchors and appropriate screws (C), covering the outlet box (A).
3. Determine the height at which the two half fixtures (D) are to be hung.
4. Feed the fixture wires through the main tapered stem section (E), then through the appropriate number of straight stem sections (F) for the desired height and screw them together, into the fixture (D).
5. Feed the fixture wires through the Hang Straight stem (H) and into the canopy (G). Screw the Hang Straight stem (H) onto the assembled stem sections and fixture.
6. Assemble the two half fixtures (D), by sliding the arm ends into the open luminaire heads, and fastening with the high contrast attachment screw (Fig.1)
7. Make appropriate electrical connections using wire nuts:
 - a. Connect the Power Supply's live wire to the live supply wire.
 - b. Connect the Power Supply's neutral wire to the neutral supply wire.
 - c. Connect the fixture's ground wire (green or uncoated) to the ground supply wire.



- d. Connect the Power Supply's positive (+) output wire to fixture red wire.
- e. Connect the Power Supply's negative (-) output wire to fixture black wire.
8. Carefully place connections and driver in the canopy (G).
9. Attach canopy (G) to mounting plate (B) with screws (J).
10. Place the slotted shades onto the matching luminaires (Fig.2 & Fig.3), there will be a "Click" as the magnet engages.
11. Restore power to the outlet box.

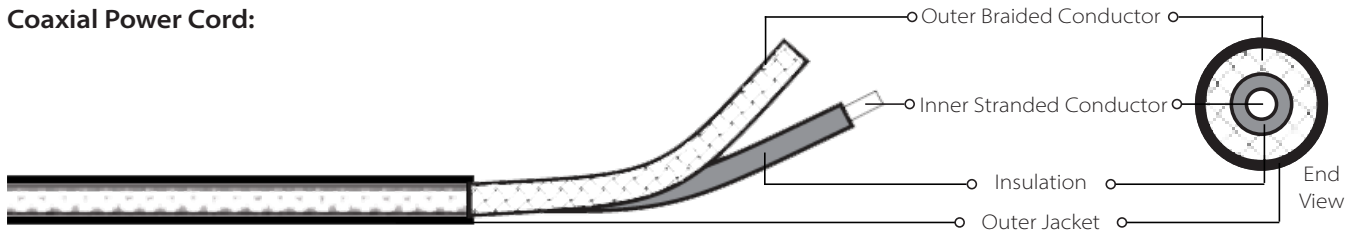
Note:
This fixture is dimmable with Electronic Low Voltage (Trailing-Edge), Incandescent (Leading-Edge), and 0-10V type dimmers only.

Care Instructions:
Use a clean, dry cloth when dusting.
To protect the finish, avoid any harsh abrasives or chemicals.

Coax Splicing

FAILURE TO FOLLOW THESE INSTRUCTIONS WILL VOID THE WARRANTY

Coaxial Power Cord:



If field-cutting is required, please follow these instructions:

1. Make a 1" slice along the length of the cord's outer jacket (Fig. 1).
CAUTION: Do not cut through the outer braided conductor.
2. Carefully strip the outer jacket of the cord and keep the outer braided conductors intact (Fig. 1).
3. Slide the outer braided conductor back to create a bulge and reveal the inner stranded conductor (Fig. 2).
4. Bend the cord to create an opening through the bunched-up portion of outer braided conductor, then pull out the inner stranded conductor (Fig. 3)
5. Twist together the outer braided conductor to form the negative wire of the fixture, then strip 5/8" off the end of the inner stranded conductor to form the positive wire of the fixture (Fig. 4).
6. Re-splice all power cords.

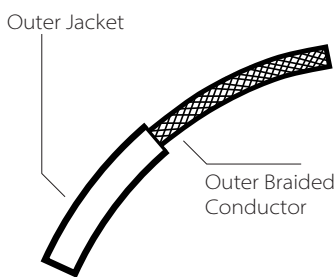


Fig. 1

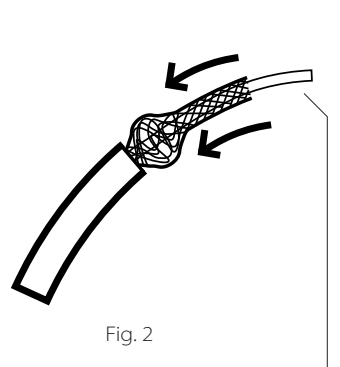


Fig. 2

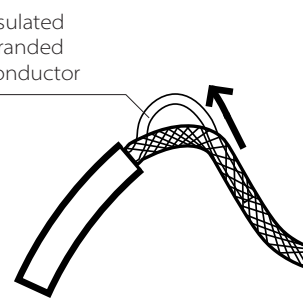


Fig. 3

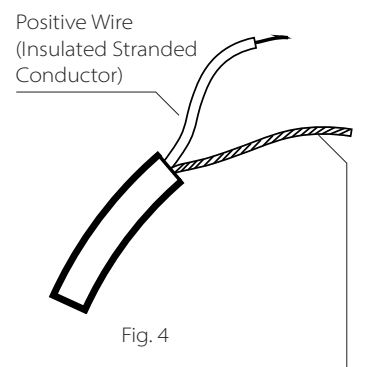


Fig. 4