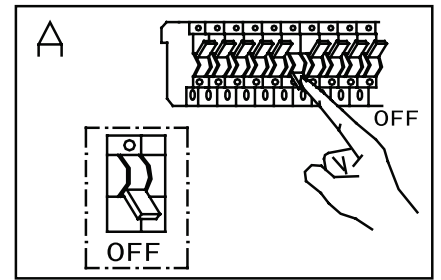


Important: Always disconnect the power before installing or replacing bulb and before cleaning or other maintenance.

This light should be installed by a licensed electrician

LAMP INSTALLATION AND ASSEMBLY

1. Shut off power to the outlet box. (fig. A)
2. Determine the height at which the fixture is to be hung. Use the screwdriver to loosen the set screw. (fig. B) Adjust the cord to the desired length. Tighten the set screw to set.
3. Adjust the steel cable lengths to match the power cord.
4. Reserve extra cord in the canopy, and adjust the cord lock so they are 12" from the canopy.
5. Reserve cable in the canopy, and adjust the cable stops so they are 12" from the canopy by loosening the screws and sliding the stops along the cable. Tighten the screws to set.
6. Attach mounting plate to the outlet box, secure with outlet box screws.
7. Make appropriate electrical connections using wire nuts:
 - a. Connect the LED driver's live wire (black) to the live outlet box wire.
 - b. Connect the LED driver's neutral wire (white) to the neutral outlet box wire.
 - c. Connect fixture's ground wire (green or uncoated) to the ground outlet box wire. If no ground is present in outlet box, connect fixture's ground wire to the mounting plate using the green screw (included).
 - d. Carefully place connections in outlet box.
8. Attach canopy to mounting plate, secure with mounting screws.
9. Adjust the steel cables or cord as necessary to balance the fixture.
10. Restore power to the fixture.



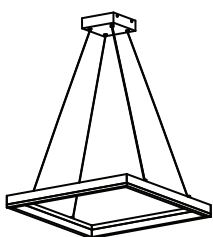
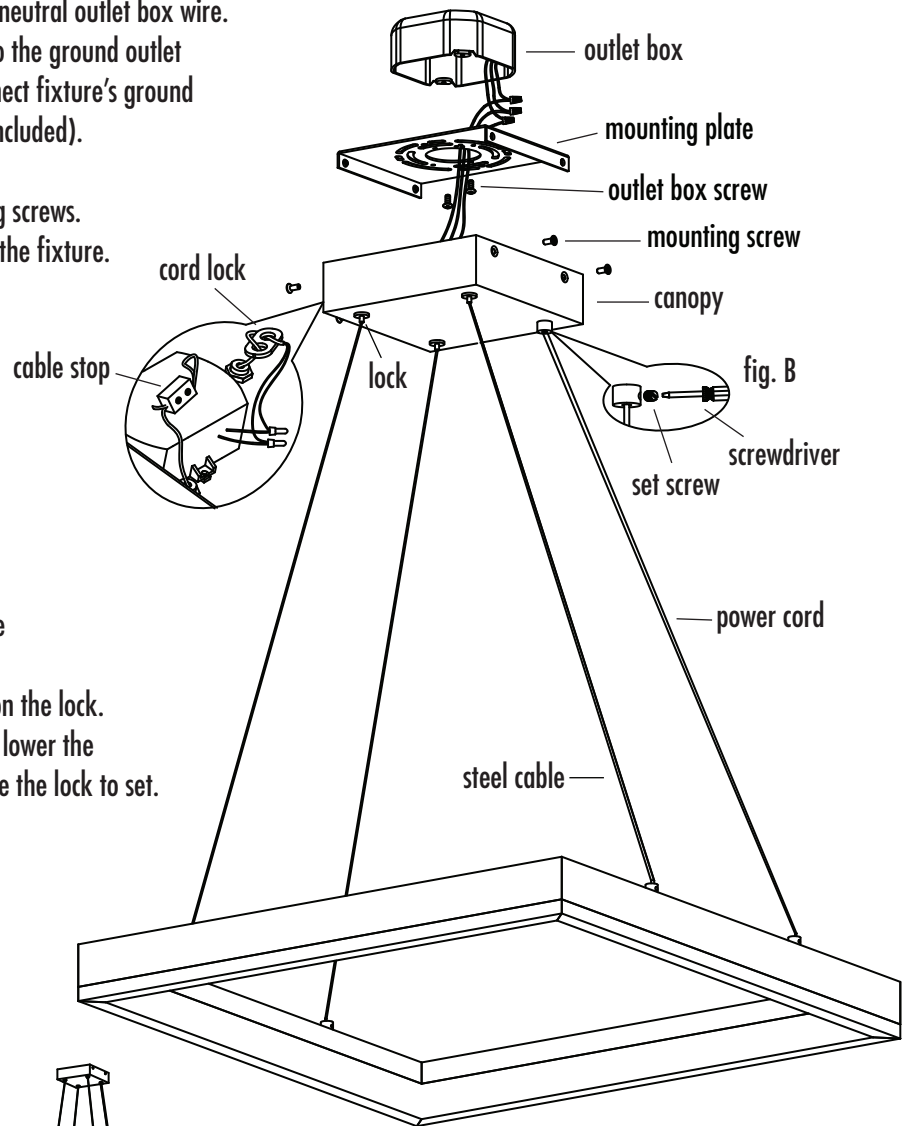
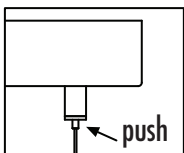
CARE INSTRUCTIONS

Dusting – Use a clean, dry cloth.
 Cleaning – To protect the finish, avoid any harsh abrasives or chemicals.

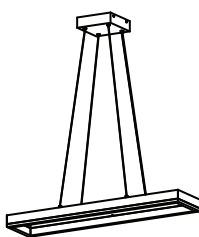
NOTE: This fixture is dimmable with Electronic Low Voltage (Trailing-Edge) type dimmers only.

Steel cable adjustment instructions:

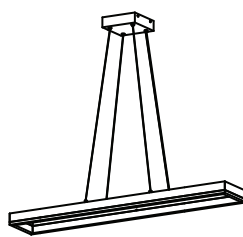
- To shorten the cable - Just push the cable up, cable will be locked automatically.
- To lengthen the cable - Lift up on the cable and push up on the lock. While keeping the lock depressed, lower the cable to the desired length. Release the lock to set.



2306



2308



2310

2304