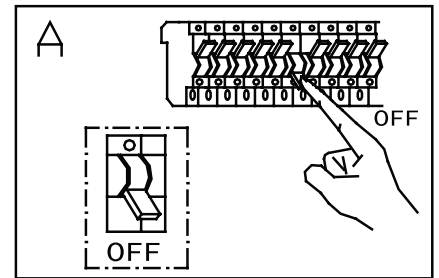


**Important: Always disconnect the power before installing or replacing bulb and before cleaning or other maintenance.**

This light should be installed by a licensed electrician

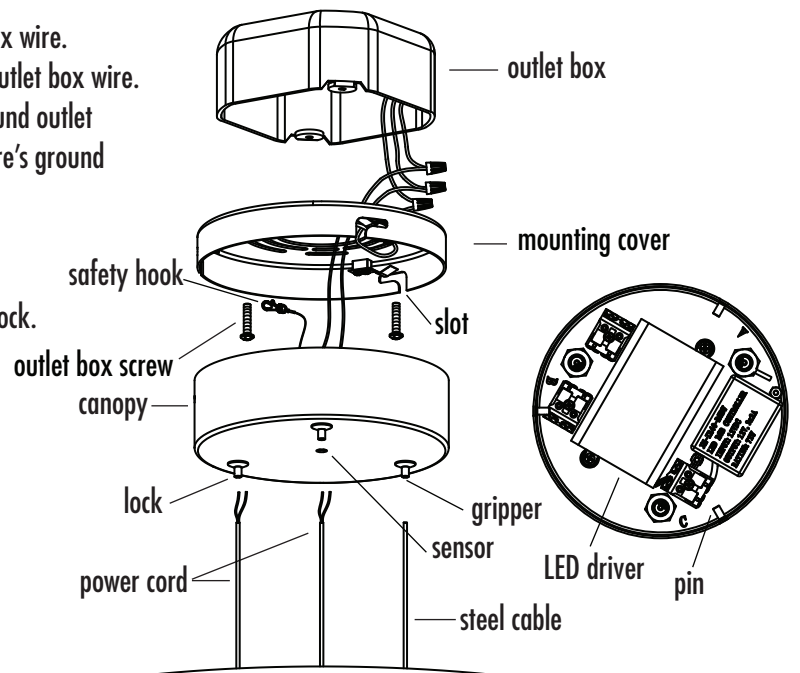
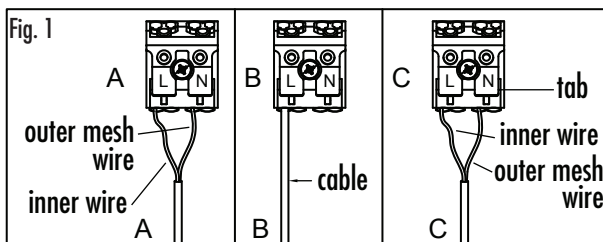
### LAMP INSTALLATION AND ASSEMBLY

1. Shut off power to the outlet box. (fig. A)
2. Feed the cords and cable through the stems, holes in glass, and grippers on canopy.
3. There are markings on the top of the LED housing, labeling the cords "A", "B", and "C". There are corresponding labels next to each terminal block in the canopy. Connect the cords and cable to the corresponding terminal blocks (A to A, B to B, C to C) inside the canopy by firmly pressing the tabs until they are fully depressed and inserting the wires into the correct holes on the correct terminal block. The inner wires and the cable go into the holes marked "L", and the outer mesh wires go into the holes marked "N". (Fig. 1)
4. Screw the stems into the holes on LED housing, and place the glass onto the shoulders on the stems.
5. Attach mounting cover to the outlet box, secure with outlet box screws.
6. Attach the safety hook in the canopy to one of the holes on the mounting cover.
7. Make appropriate electrical connections using wire nuts:
  - a. Connect the LED driver's live wire (black) to the live outlet box wire.
  - b. Connect the LED driver's neutral wire (white) to the neutral outlet box wire.
  - c. Connect fixture's ground wire (green or uncoated) to the ground outlet box wire. If no ground is present in outlet box, connect fixture's ground wire to the mounting plate using the green screw (included).
  - d. Carefully place connections in outlet box.
8. Install canopy to mounting cover by inserting the pins on the canopy into slots on mounting cover. Twist canopy clockwise to lock.
9. Adjust the lengths of the cords and cable to level the fixture.
10. Restore power to the fixture.



### CARE INSTRUCTIONS

- Dusting – Use a clean, dry cloth.  
 Cleaning – To protect the finish, avoid any harsh abrasives or chemicals.



**NOTE: This fixture is controlled by the included IR remote control, which must be aimed at the sensor in the center of the canopy. The fixture may be turned on/off by a wall switch, but do not use with a wall dimmer, or damage will occur.**

### Steel cable adjustment instructions:

- To shorten the cable - Just push the cable up, cable will be locked automatically.  
 To lengthen the cable - Lift up on the cable and push up on the lock. While keeping the lock depressed, lower the cable to the desired length. Release the lock to set.

