

LED Product Information and Warnings

Important

- **Always disconnect the power before installing or replacing bulbs and before cleaning or other maintenance.**
- Please read all included assembly instructions and warnings carefully before installation. Contact Customer Service if you have any questions or concerns. Before installation, please confirm that the fixture is compatible with your supply voltage and dimming system, if present.
- LEDs are highly sensitive electronic devices, and must be treated with care. Do not open any factory sealed compartments, and avoid touching the LEDs with your hands or any object.
- Although all our fixtures are equipped with protective devices, LED fixtures are vulnerable to power surges and supply variations. Do not install LED fixtures on the same circuit as any motors, appliances, or HVAC systems.
- Do not remove or bypass any LED Driver or Transformer that is provided with the fixture, and do not replace or substitute with another power supply.
- Remote LED Driver or Transformer installation must be done by a licensed electrician and in accordance with local codes. Remote installations should be in an accessible location, as close to the fixture as possible.
- Fixtures must be wired in parallel on independent leads; do not "daisy chain" multiple fixtures together or wire them in series.
- All factory-made splices and connections must remain intact. LED circuits are carefully designed and built, and improper connections may damage the fixture.
- The ends of coaxial pendant cords have been precisely stripped and split at the factory and must not be field cut. Excess cord or cable should be neatly coiled and reserved in the fixture canopy.
- Any mounting hardware is provided for your convenience and should be used with discretion. Always use the appropriate hardware for the mounting surface.

Assembly Instructions

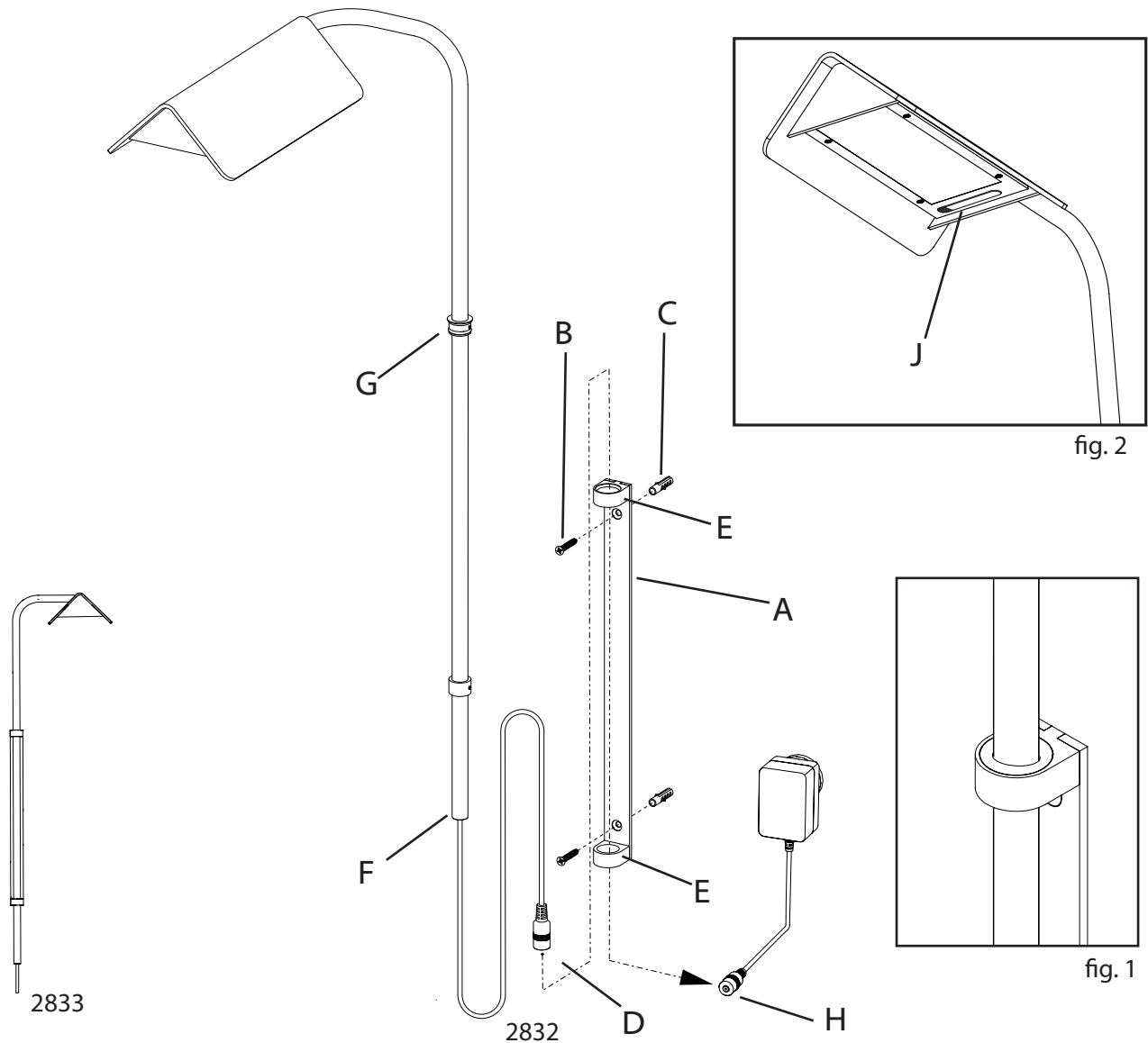
2832, 2833

INSTRUCTIONS D'INSTALLATION

Morii Series - Left LED Wall Lamp, Right LED Wall Lamp

Important

- Always disconnect the power before installing and cleaning or other maintenance.



1. Secure the wall plate (A) to the wall with supplied screws (B) and anchors (C).
2. Feed the plug adapter (D) and cord through the upper and lower collars (E) in the wall plate (A). Then insert the lamp stem (F) until the upper bushing (G) sits into the hole on the upper collar (E) (fig. 1).
3. Connect the plug adapter (D) to the wall plug wire (H). Insert wall plug into a wall outlet.
4. Turn the lamp on by lightly touching the switch (J) on the bottom of the shade near the stem (fig. 2).
Adjust the brightness by sliding your finger along the switch or tapping anywhere on the switch. Tap the ribbed end of the switch to turn the lamp off.

Care Instructions

- **Dusting:** Use a clean, dry cloth.
- **Cleaning:** To protect the finish, avoid any harsh abrasives or chemicals.