

LED Product Information and Warnings

Important

- **Always disconnect the power before installing or replacing bulbs and before cleaning or other maintenance.**
- **Consult a qualified, licensed electrician to ensure correct branch circuit conductor.**
- Please read all included assembly instructions and warnings carefully before installation. Contact Customer Service if you have any questions or concerns. Before installation, please confirm that the fixture is compatible with your supply voltage and dimming system, if present.
- LEDs are highly sensitive electronic devices, and must be treated with care. Do not open any factory sealed compartments, and avoid touching the LEDs with your hands or any object.
- Although all our fixtures are equipped with protective devices, LED fixtures are vulnerable to power surges and supply variations. Do not install LED fixtures on the same circuit as any motors, appliances, or HVAC systems.
- Do not remove or bypass any LED Driver or Transformer that is provided with the fixture, and do not replace or substitute with another power supply.
- Remote LED Driver or Transformer installation must be done by a licensed electrician and in accordance with local codes. Remote installations should be in an accessible location, as close to the fixture as possible.
- Fixtures must be wired in parallel on independent leads; do not "daisy chain" multiple fixtures together or wire them in series.
- All factory-made splices and connections must remain intact. LED circuits are carefully designed and built, and improper connections may damage the fixture.
- The ends of coaxial pendant cords have been precisely stripped and split at the factory and must not be field cut. Excess cord or cable should be neatly coiled and reserved in the fixture canopy.
- Any mounting hardware is provided for your convenience and should be used with discretion. Always use the appropriate hardware for the mounting surface.

October 1, 2019

Assembly Instructions

2859

INSTRUCTIONS D'INSTALLATION

Votives Series - 6' LED Bar Pendant

Important

- Always disconnect the power before installing or replacing parts and before cleaning or other maintenance.
 - Consult a qualified, licensed electrician to ensure correct branch circuit conductor.
- Consulter un électricien qualifié pour vous assurer que les conducteurs de la dérivation sont adéquats.*

1. Shut off power to the outlet box (A).
2. Adjust height of the cable splitter (B) by loosening set screw (C) using provided Allen key (D) and sliding up or down as desired.
3. Feed the power cord (E) and the steel cable (F) through the cord/cable bushing (G) and adjust steel cable to desired height. To shorten the cable, push the cable up; to lengthen, push in the plunger while pulling down on the cable, release the plunger to lock.
4. Adjust the cord lock (H) to remove slack in the cord. Reserve extra cord in the canopy. Hang the fixture (J) from the steel cable only as shown in the Detailed View.
5. The LED driver (K) must be installed in a remote and accessible location near the fixture in accordance with local electrical code. (Fig. 1)
 - a. Connect the LED driver's live wire (black) to the live supply wire.
 - b. Connect the LED driver's neutral wire (white) to the neutral supply wire.
 - c. Connect the LED driver's positive (+) output wire to the necessary length of red wire (not included) to reach the fixture location.
 - d. Connect the LED driver's negative (-) output wire to the necessary length of black wire (not included) to reach the fixture (J) location.
6. Attach the mounting plate (L) to the outlet box using the outlet box screws (M) as shown in the Detailed View. Screws must be installed as close as possible to the mounting plate tabs, in either Location 1 or 2 on the slots (Fig. 2).
7. Using wire nuts, connect the low voltage wires to each of the two fixture input wires. Carefully place connections in outlet box (A).
8. Attach the canopy (N) to the mounting plate (L), secure with canopy screw (P) as shown in the Detailed View.
9. Install the mounting bracket (Q) to the ceiling with anchor (R) and screw (S), then screw the post (T) onto the mounting bracket. Adjust the steel cable (U) to the level the fixture (J). To shorten the cable, push the cable up; to lengthen, push in the plunger while pulling down on the cable, release the plunger to lock.
10. Install lenses (V) by screwing into the fixture (J) body.
11. Restore power to the outlet box (A).

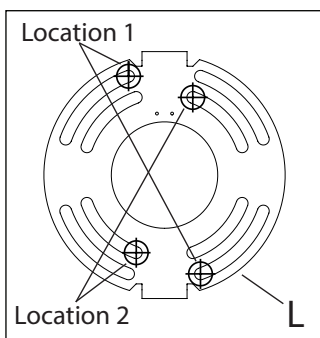
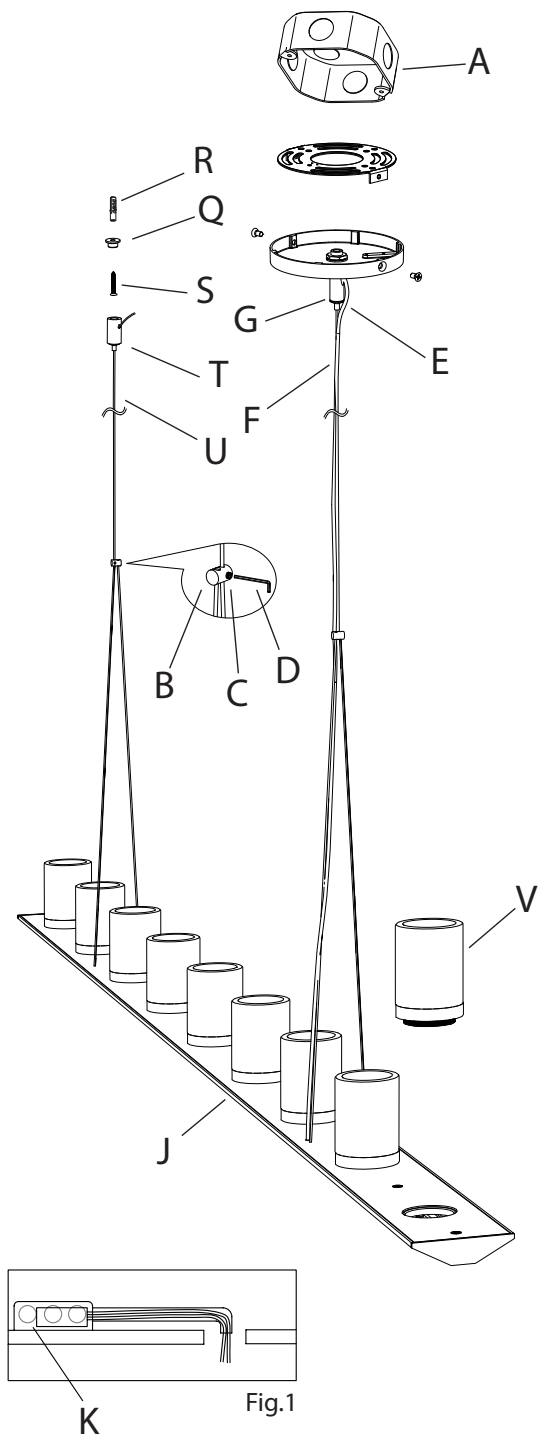
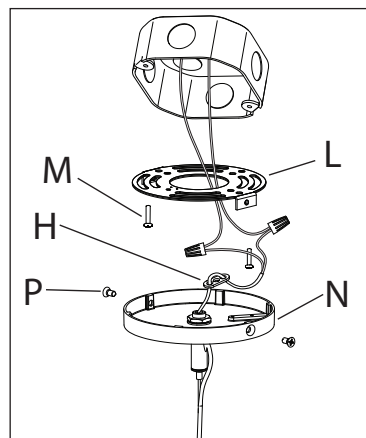


Fig. 2



Detailed View

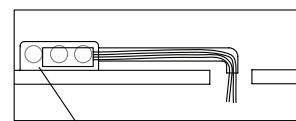


Fig. 1

Note:

- This fixture is dimmable with ELV (Trailing-Edge), Incandescent (Leading-Edge), and 0-10V type dimmers only.

Care Instructions

- **Dusting:** Use a clean, dry cloth.
- **Cleaning:** To protect the finish, avoid any harsh abrasives or chemicals.