

LED Product Information and Warnings

Important

- **Always disconnect the power before installing or replacing parts and before cleaning or other maintenance.**
- **Consult a qualified, licensed electrician to ensure correct branch circuit conductor.**
- Please read all included assembly instructions and warnings carefully before installation. Contact Customer Service if you have any questions or concerns. Before installation, please confirm that the fixture is compatible with your supply voltage and dimming system, if present.
- LEDs are highly sensitive electronic devices, and must be treated with care. Do not open any factory sealed compartments, and avoid touching the LEDs with your hands or any object.
- Although all our fixtures are equipped with protective devices, LED fixtures are vulnerable to power surges and supply variations. Do not install LED fixtures on the same circuit as any motors, appliances, or HVAC systems.
- Do not remove or bypass any LED Driver or Transformer that is provided with the fixture, and do not replace or substitute with another power supply.
- Remote LED Driver or Transformer installation must be done by a licensed electrician and in accordance with local codes. Remote installations should be in an accessible location, as close to the fixture as possible.
- Fixtures must be wired in parallel on independent leads; do not "daisy chain" multiple fixtures together or wire them in series.
- All factory-made splices and connections must remain intact unless otherwise specified. LED circuits are carefully designed and built, and improper connections may damage the fixture.
- The ends of coaxial pendant cords have been precisely stripped and split at the factory any changes done in the field must be done by following the instructions exactly. Excess cord or cable should be neatly coiled and reserved in the fixture canopy.
- Any mounting hardware is provided for your convenience and should be used with discretion. Always use the appropriate hardware for the mounting surface.

April 4, 2019

Assembly Instructions

2893

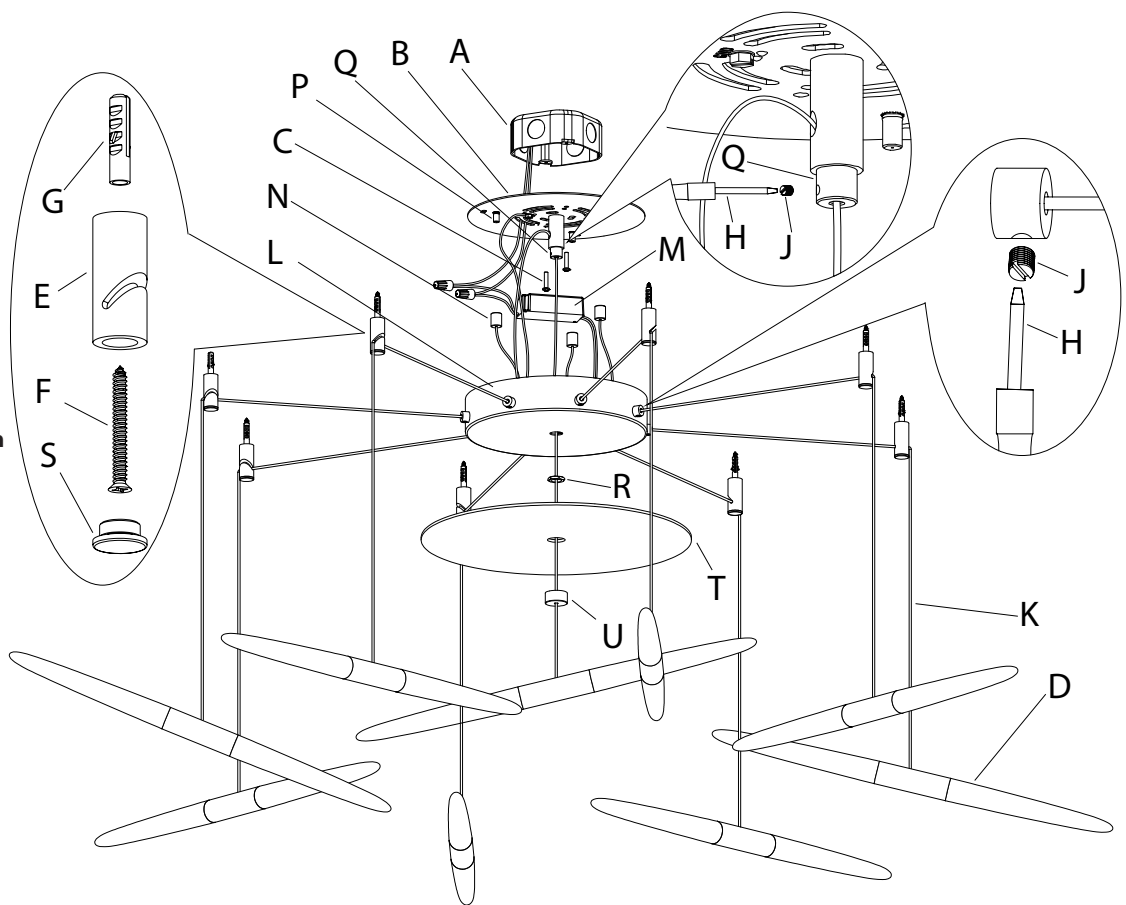
INSTRUCTIONS D'INSTALLATION

Ballet Series - 9-Light Swag LED Pendant

Important

- Always disconnect the power before installing or replacing parts and before cleaning or other maintenance.
- Consult a qualified, licensed electrician to ensure correct branch circuit conductor.
Consulter un électricien qualifié pour vous assurer que les conducteurs de la dérivation sont adéquats.

1. Shut off power to the outlet box (A).
2. Thread wires from outlet box (A) through mounting plate (B) then attach the mounting plate to the outlet box, secure with outlet box screws (C).
3. Determine the hanging location for each pendant (D). Attach the cord hooks (E) at the hanging locations using screw (F) and optional anchor (G). **Note: Do not tighten screw completely.**
4. Determine the height at which the pendants (D) are to be hung (be sure to account for length of cord across the ceiling). Use the screwdriver (H) to loosen the set screw (J). Adjust the pendant cord (K) to the desired length. Tighten the set screws to set. Reserve extra cord in canopy (L). **WARNING: If field-cutting of cords is necessary, please see additional instructions on Page 3 for splicing the Coaxial Power Cords.**
5. Support the fixture and make appropriate electrical connections using wire nuts:
 - a. Connect the driver's (M) live wire (black) to the outlet box (A) live wire.
 - b. Connect the driver's neutral wire (white) to the outlet box neutral wire.
 - c. Connect fixture's ground wire (green or uncoated) to the outlet box ground wire. If no ground is present in outlet box, connect fixture's ground wire to the mounting plate (B) using the green screw (included).
 - d. Carefully place connections in the canopy (L).
6. Screw the three safety cable couplings (N) to the short studs (P) on the mounting plate (B).
7. Attach canopy (L) to nipple (Q), secure with small canopy nut (R).
8. Hook pendant cords (K) onto cord hooks and adjust cord hook angles accordingly. Now tighten screws to set. Screw cord hook caps (S) back onto cord hooks. **CAUTION: Do not adjust cord lengths when they are hung on cord hooks (E). Always take cords off the hooks then adjust length. Place cords back on hooks when finished.**
9. Attach canopy plate (T) to canopy (M) using large canopy nut (U).
10. Restore power to the outlet box (A).



Note

- Fixture is dimmable with Electronic Low Voltage (Trailing-Edge), Incandescent (Leading-Edge) and 0-10V type dimmer.

Care Instructions

- **Dusting:** Use a clean, dry cloth.
- **Cleaning:** To protect the finish, avoid any harsh abrasives or chemicals.

Assembly Instructions

2893

INSTRUCTIONS D'INSTALLATION

Ballet Series - 9-Light Swag LED Pendant

If field-cutting is required, please follow the below instructions:

1. Make a 1" slice along the length of the cord's outer jacket (Fig. 1). **CAUTION: Do not cut through the outer braided conductor.**
2. Carefully strip the outer jacket of the cord and keep the outer braided conductors intact (Fig. 1).
3. Slide the outer braided conductor back to create a bulge and reveal the inner jacketed conductor (Fig. 2).
4. Bend the cord to create an opening through the bunched-up portion of outer braided conductor, then pull out the inner jacketed conductor (Fig. 3)
5. Twist together the outer braided conductor to form the negative wire of the fixture, then strip 5/8" off the end of the inner jacketed conductor to form the positive wire of the fixture (Fig. 4).
6. Re-splice all power cords per wiring diagram on Page 4.

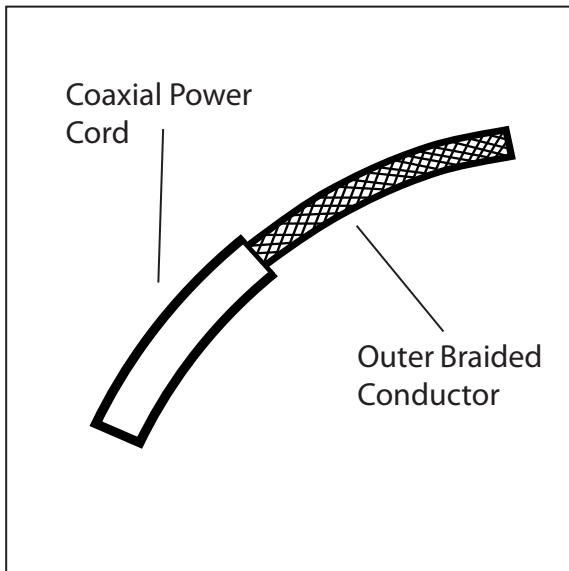


Fig. 1

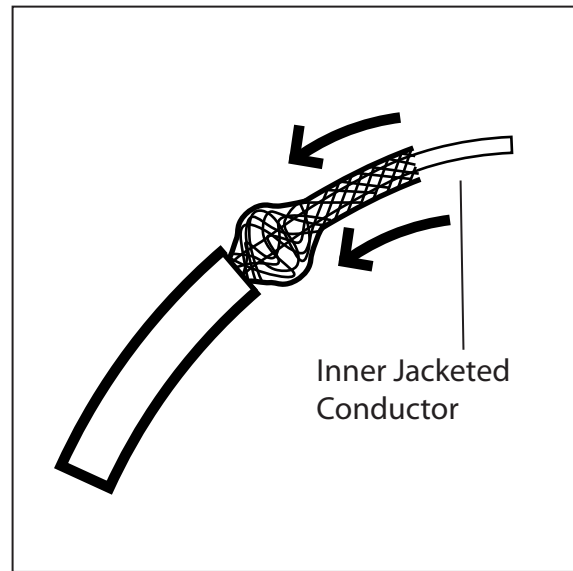


Fig. 2

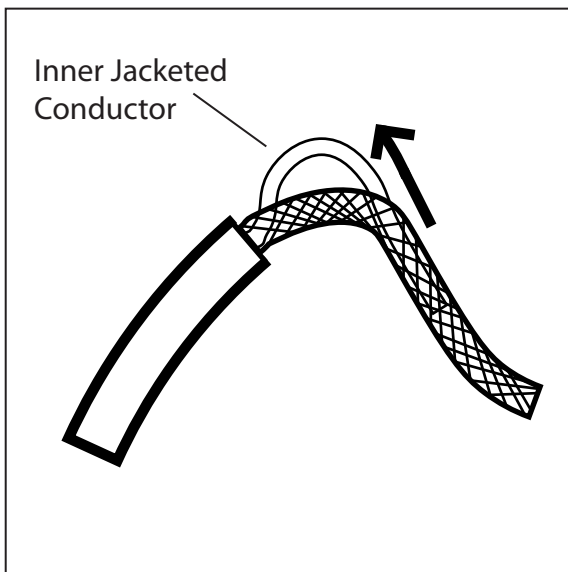


Fig. 3

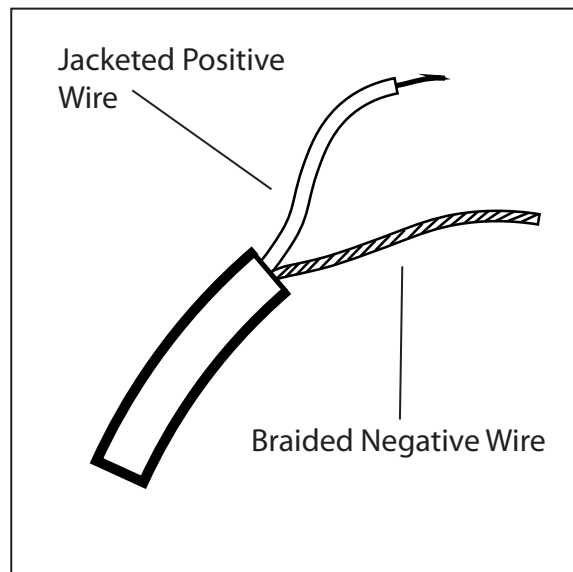


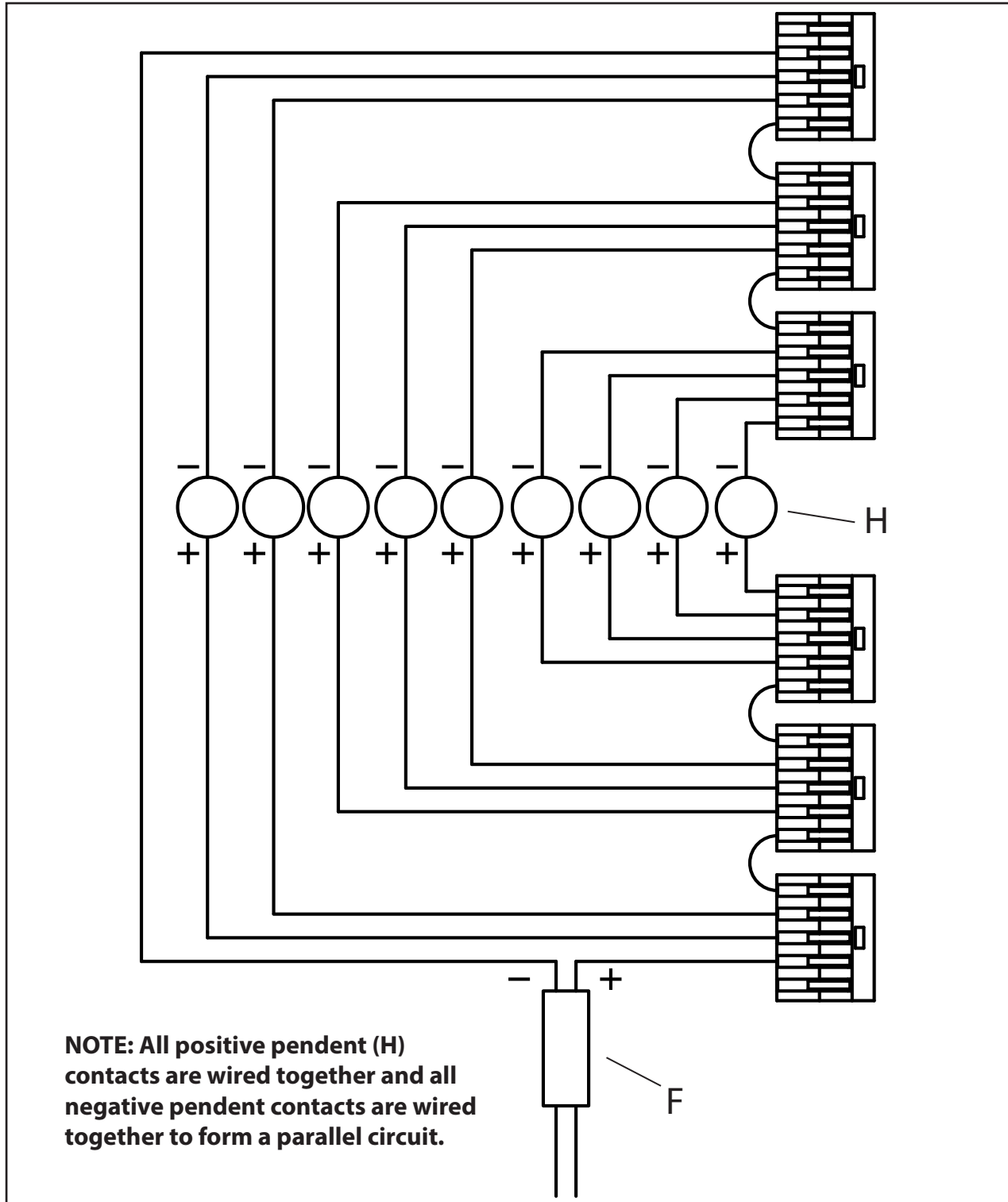
Fig. 4

Assembly Instructions

2893

INSTRUCTIONS D'INSTALLATION

Ballet Series - 9-Light Swag LED Pendant



NOTE: All positive pendant (H) contacts are wired together and all negative pendant contacts are wired together to form a parallel circuit.