

LED Product Information and Warnings

Important

- **Always disconnect the power before installing or replacing bulbs and before cleaning or other maintenance.**
- **Consult a qualified, licensed electrician to ensure correct branch circuit conductor.**
- Please read all included assembly instructions and warnings carefully before installation. Contact Customer Service if you have any questions or concerns. Before installation, please confirm that the fixture is compatible with your supply voltage and dimming system, if present.
- LEDs are highly sensitive electronic devices, and must be treated with care. Do not open any factory sealed compartments, and avoid touching the LEDs with your hands or any object.
- Although all our fixtures are equipped with protective devices, LED fixtures are vulnerable to power surges and supply variations. Do not install LED fixtures on the same circuit as any motors, appliances, or HVAC systems.
- Do not remove or bypass any LED Driver or Transformer that is provided with the fixture, and do not replace or substitute with another power supply.
- Remote LED Driver or Transformer installation must be done by a licensed electrician and in accordance with local codes. Remote installations should be in an accessible location, as close to the fixture as possible.
- Fixtures must be wired in parallel on independent leads; do not "daisy chain" multiple fixtures together or wire them in series.
- All factory-made splices and connections must remain intact. LED circuits are carefully designed and built, and improper connections may damage the fixture.
- The ends of coaxial pendant cords have been precisely stripped and split at the factory and must not be field cut. Excess cord or cable should be neatly coiled and reserved in the fixture canopy.
- Any mounting hardware is provided for your convenience and should be used with discretion. Always use the appropriate hardware for the mounting surface.

January 15, 2018

Assembly Instructions

INSTRUCTIONS D'INSTALLATION

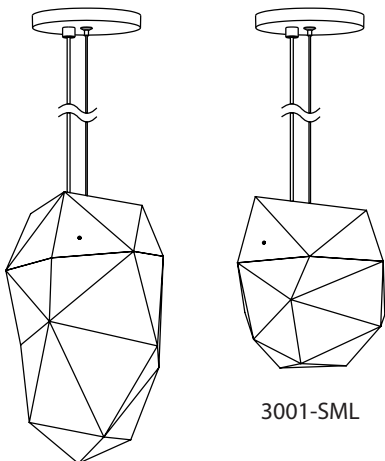
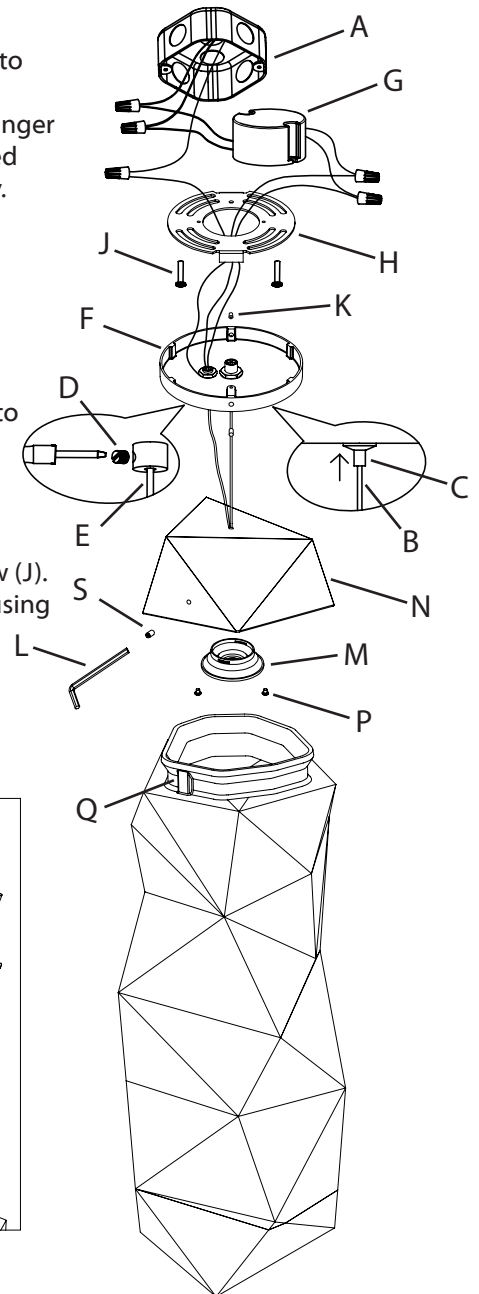
Facets Series - Large LED Pendant, Medium LED Pendant, Small LED Pendant

3001-LRG, 3001-LRG-J20, 3001-MED
3001-MED-J20, 3001-SML, 3001-SML-J20

Important

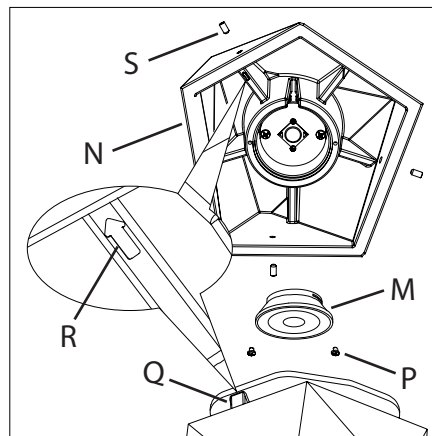
- Always disconnect the power before installing or replacing bulbs and before cleaning or other maintenance.
- Consult a qualified, licensed electrician to ensure correct branch circuit conductor.
Consulter un électricien qualifié pour vous assurer que les conducteurs de la dérivation sont adéquats.

1. Shut off power to the outlet box (A).
2. Determine height at which the pendant is to be hung. Adjust the steel cable (B) to the desired height. To shorten the cable, push the cable up and it will be locked automatically. To lengthen the cable, lift up on the cable and push up on the plunger lock (C). While keeping the plunger lock depressed, lower the cable to the desired length. Release the plunger lock to set. Hang the fixture from steel cable (B) only.
3. Use the screwdriver to loosen the slotted set screw (D). Adjust power cord (E) to remove slack. Tighten the set screw to set. Reserve extra cord in the canopy (F).
4. Make appropriate electrical connections using wire nuts:
 - a. Connect the LED driver's (G) live wire (black) to the live outlet box wire.
 - b. Connect the LED driver's neutral wire (white) to the neutral outlet box wire.
 - c. Connect the canopy's ground wire (green or uncoated) to the ground outlet box wire. If no ground is present in outlet box, connect canopy's ground wire to the mounting plate (H) using the green screw (included).
 - d. Connect the fixture inner conductor to the red driver output wire and connect the fixture outer conductor to the black driver output wire.
 - e. Carefully place connections and LED driver in outlet box.
5. Attach the mounting plate (H) to the outlet box (A), secure with outlet box screw (J).
6. Attach canopy (F) to the mounting plate (H), secure with canopy set screws (K) using provided Allen key (L).
7. Insert lens (M) into the housing (N) and fasten with two small screws (P).
8. Align rib (Q) on glass diffuser with arrow (R) inside housing (N) then insert glass diffuser into the housing and secure by fastening three set screws (S) using provided Allen key (L).
9. Restore power to the outlet box (A).



3001-MED

3001-SML



3001-LRG

Note

- The outlet box must be at least 4" DIA and 1.5" deep to fit the LED driver.
- This fixture is dimmable with Electronic Low Voltage (Trailing-Edge) type dimmers and Incandescent (Leading-Edge) type dimmers. For best performance, we recommend using an Electronic Low Voltage Dimmer.

Care Instructions

- **Dusting:** Use a clean, dry cloth.
- **Cleaning:** To protect the finish, avoid any harsh abrasives or chemicals.