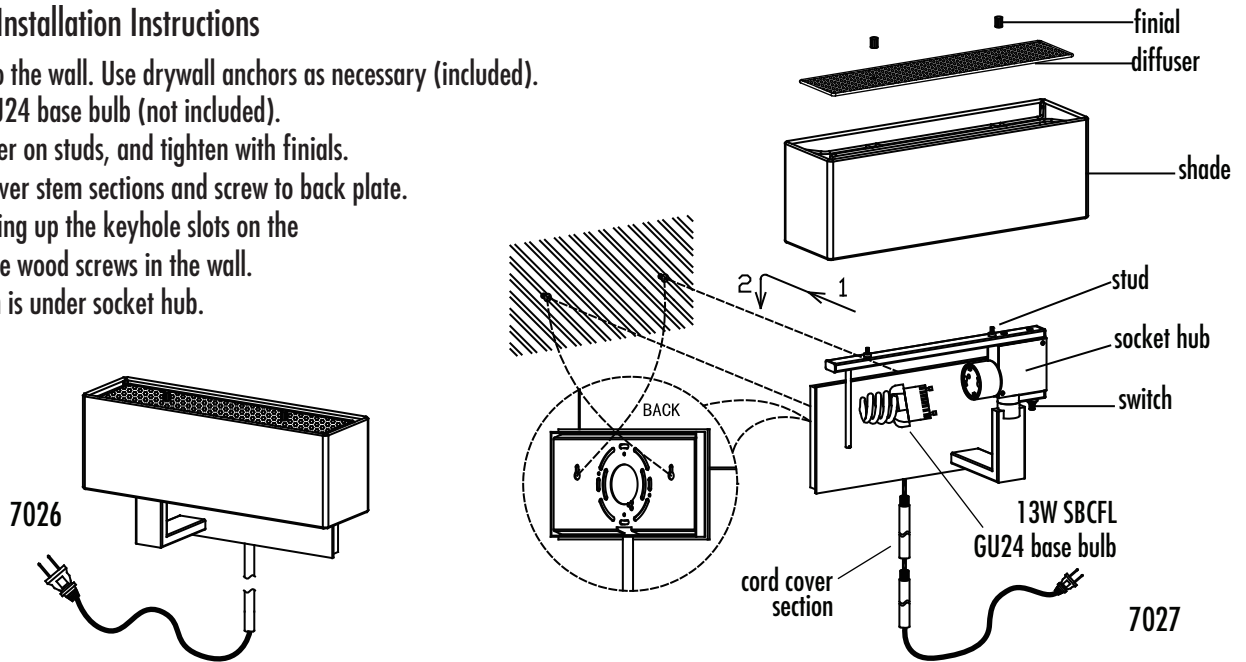


Important: Always disconnect the power before installing or replacing bulbs and before cleaning or other maintenance.

Portable Assembly & Installation Instructions

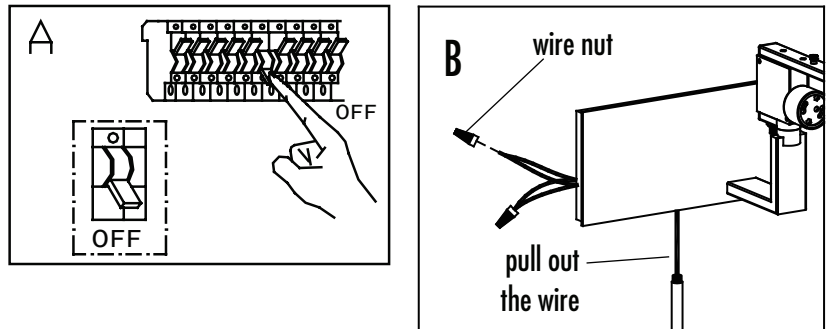
1. Screw wood screws into the wall. Use drywall anchors as necessary (included).
2. Insert a 13W SBCFL GU24 base bulb (not included).
3. Place shade and diffuser on studs, and tighten with finials.
4. Screw together cord cover stem sections and screw to back plate.
5. Hang the sconce by lining up the keyhole slots on the mounting plate with the wood screws in the wall.
6. Plug in cord and switch is under socket hub.



This light should be installed by a licensed electrician

Fixture Assembly & Installation Instructions

1. Shut off power to outlet box (Fig A).
2. Remove the wire nuts and pull the wire out from fixture (Fig B).
3. Place shade and diffuser on studs, and tighten with finials.
4. Make appropriate electrical connections using wire nuts:
 - a. Connect the fixture's hot wire (black) to the black outlet box wire.
 - b. Connect the fixture's neutral wire (white) to the white outlet box wire.
 - c. Connect fixture's ground wire (green or uncoated) to the ground outlet box wire. If no ground is present in outlet box, connect fixture's ground wire to the mounting plate using the green screw (included).
 - d. Carefully place connections in outlet box.
5. Place mounting plate over outlet box and secure with outlet box screws, anchors and mounting screws.
6. Attach backplate over mounting plate and tighten with back plate screws.
7. Insert a 13W SBCFL GU24 base bulb (not included).
8. Screw the metal cap to the bottom of backplate.
9. Plug in cord and switch is under socket hub.



CARE INSTRUCTIONS

- Dusting — Use a clean, dry cloth.
 Cleaning — To protect the finish, avoid any harsh abrasives or chemicals.

