

Bathroom Vanities

Contents

Before Use

General Guidelines.....	03
Warning.....	03
Material Properties.....	03

Installation Guide

Assembly Instructions.....	03
Parts List.....	04
Accessories List.....	05
Exploded Views.....	06
Installation Steps.....	07

Operation

Use and Maintenance.....	12
Trouble Shooting.....	12

General Guidelines

- Please read the following instructions carefully and use the product accordingly.
- Please keep this manual and hand it over when you transfer the product.
- Product is intended for indoor use only. It must be assembled and used according to the instructions. The seller does not accept any responsibility for damage or injury resulting from improper assembly or use.
- This summary may not include every detail of all variations and considered steps.
- Please contact us when further information and helps are needed.

Warning

- Children are not allowed to assemble the product. During assembly, keep any small part out of reach of children as they may be fatal if swallowed or inhaled.
- Children are not allowed to stand, climb or play on the product to avoid serious bodily injury by the toppling.
- Keep plastic packing bags out of reach of children to avoid any potential danger, such as suffocation.
- Avoid sharp objects and corrosive chemicals to prevent damage to the product or bodily injury.

Material Properties

Marble and Sintered Stone

The pattern of marble and sintered stone is unique to each piece. Due to the characteristics of the material, there is no guarantee that the pattern of each piece will be consistent with the pattern seen at the time of purchase.

Assembly Instructions

- Read these instructions carefully and keep for future reference. Refer to parts inventory for guidance, and ensure you have all pieces before starting.
- **When assembling place all parts on a soft, clean, and flat surface such as a carpet to prevent scratches.**
- **During assembly, align all screws with the corresponding pre-drilled holes first and then tighten them one by one.**



TIME



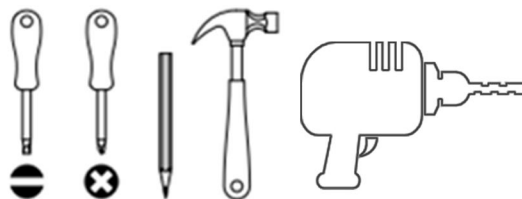
2 People



DIFFICULTY

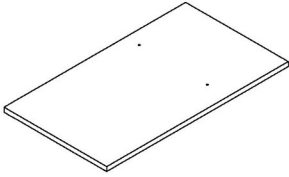
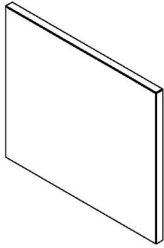
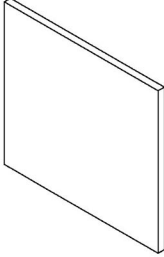
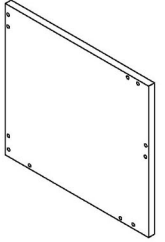
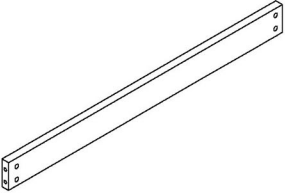
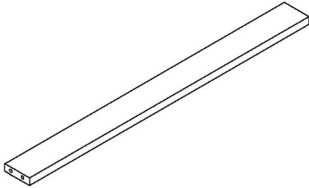
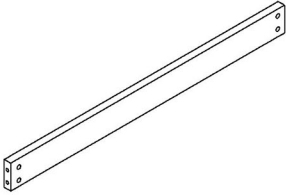
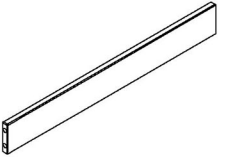
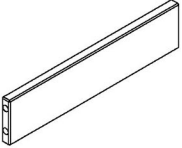
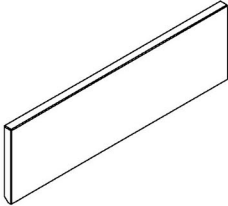
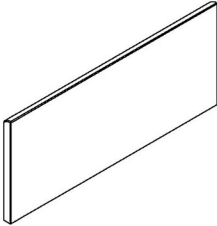
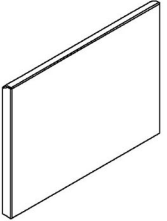
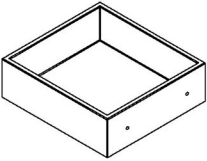
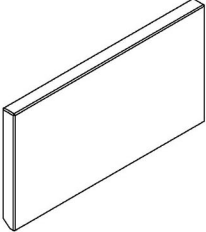
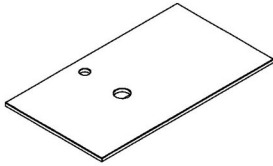
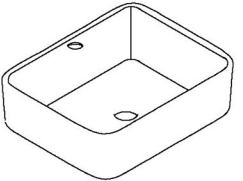
Do not discard any contents until after assembly is complete to avoid accidentally discarding small parts or hardware.

TOOLS YOU MAY NEED



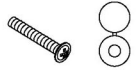






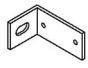
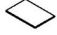
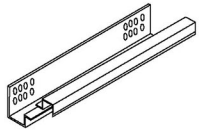



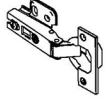
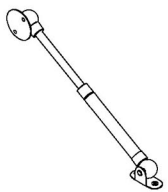


Note: It is recommended that installation of the product be done by a qualified licensed furniture assembler.

Parts List

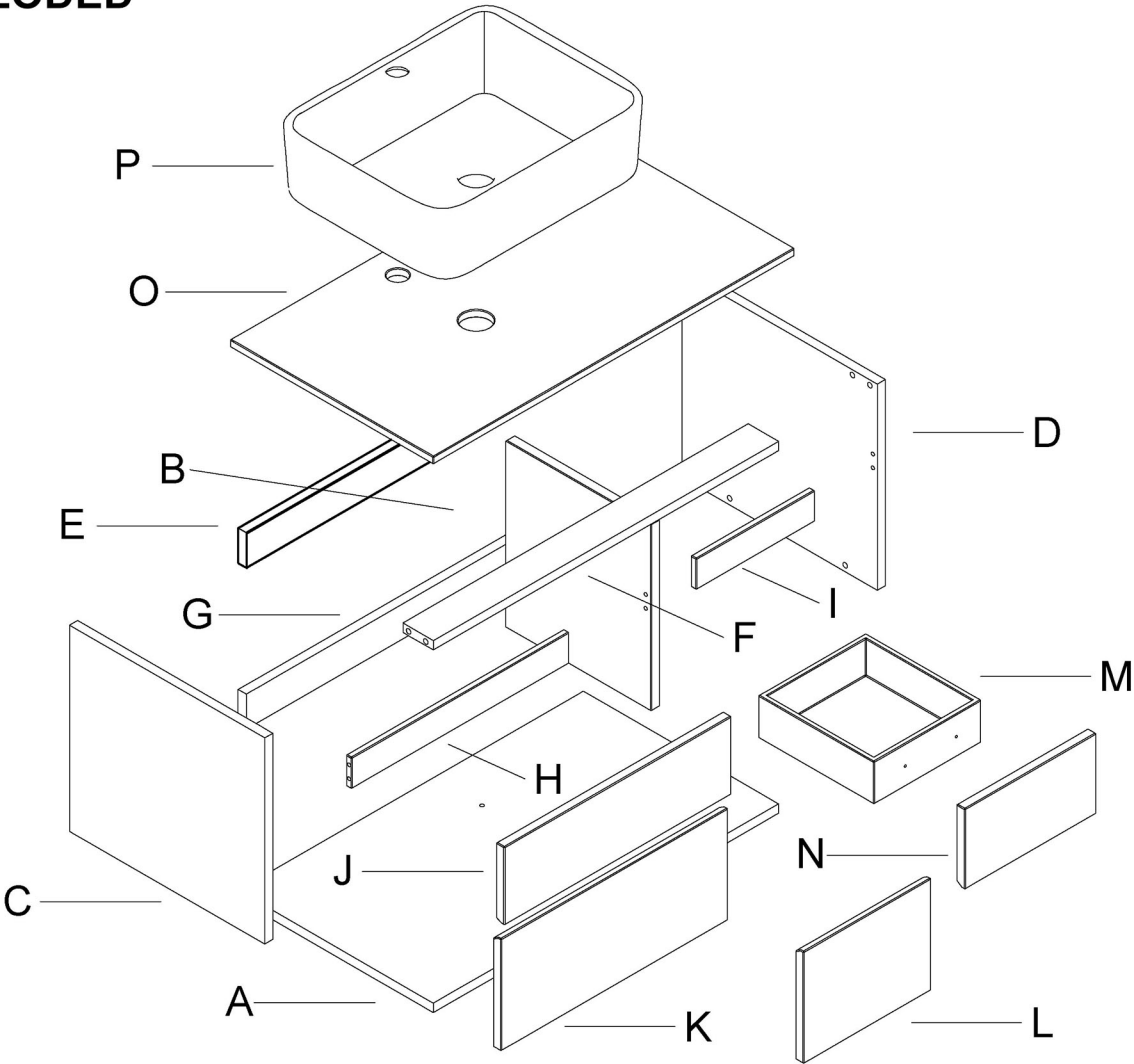
Ax1 	Bx1 	Cx1 	Dx1 
Ex1 	Fx1 	Gx1 	Hx1 
Ix1 	Jx1 	Kx1 	Lx1 
Mx1 	Nx1 	Ox1 	Px1 

Accessories List

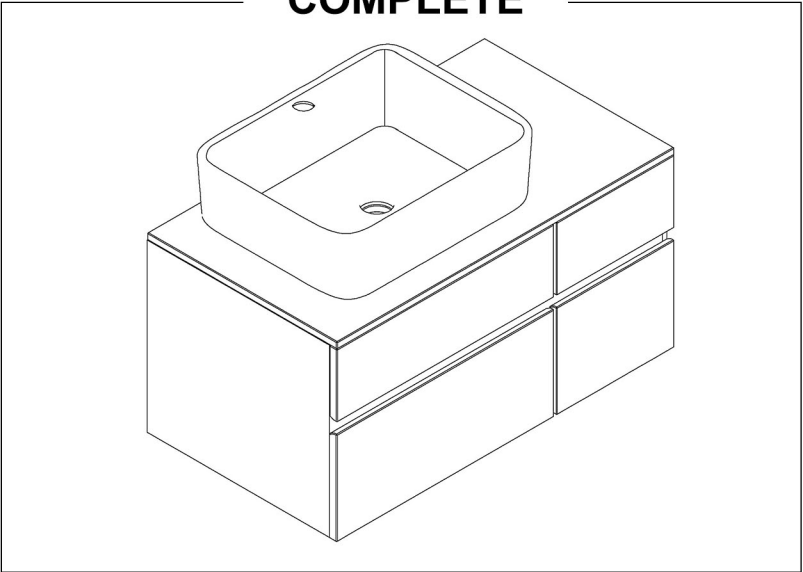
<p>AAx27</p> 	<p>BBx27</p> 	<p>CCx2</p> 	<p>DDx28</p> 
<p>EEx2</p> 	<p>FF1x2</p> 	<p>FF2x2</p> 	<p>HHx2</p> 
<p>IIx2</p> 	<p>JJx2</p> 	<p>KKx4</p> 	<p>LLx2</p> 
<p>MMx34</p> 	<p>UUx2</p> 	<p>GGx2</p> 	<p>RRx2</p> 
<p>SSx1</p> 			

Exploded Views

EXPLODED



COMPLETE

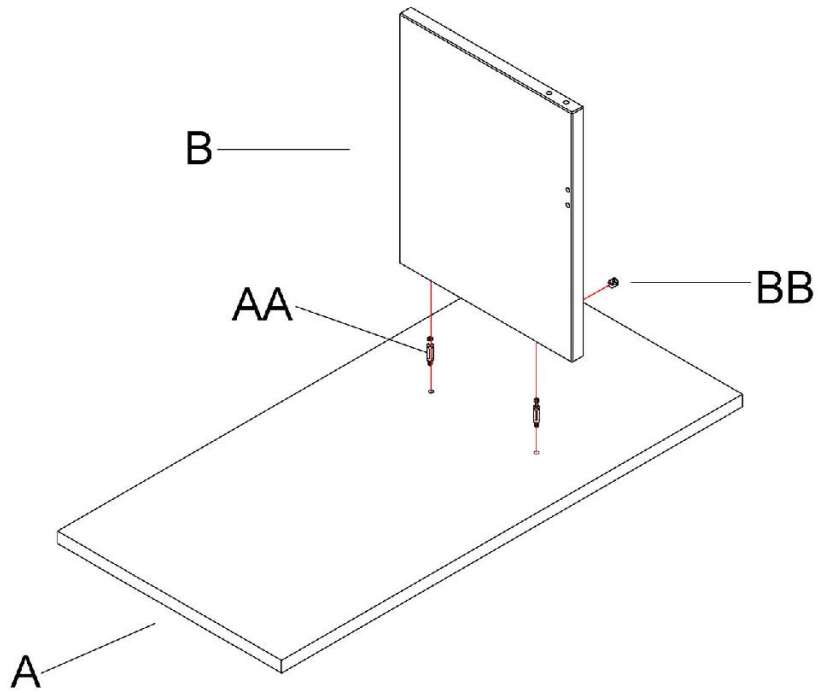


Installation Steps

Step 1

AA  x2

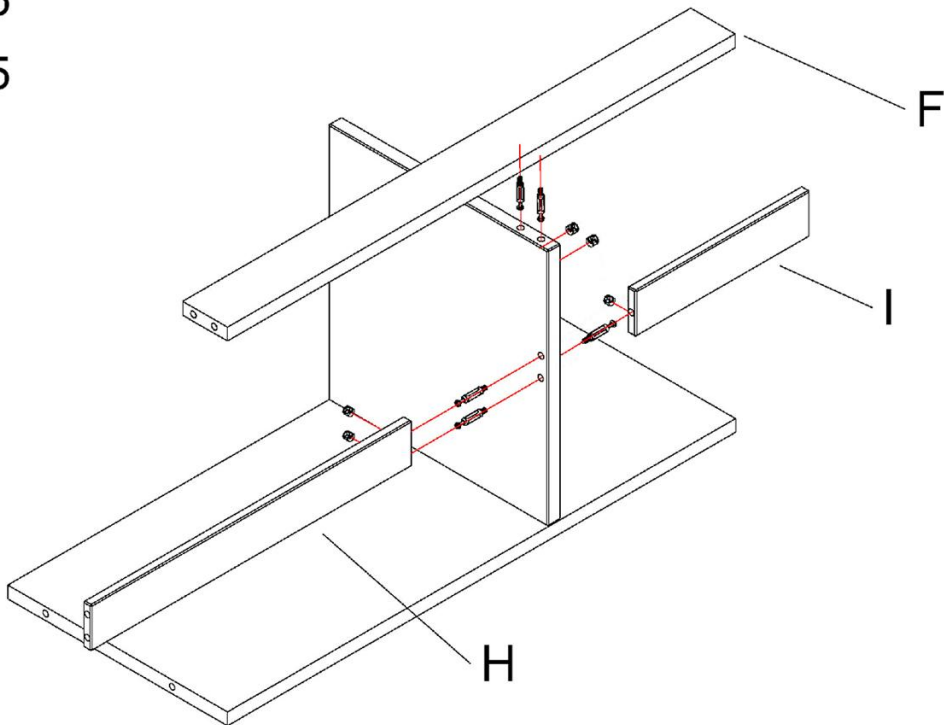
BB  x2



Step 2

AA  x5

BB  x5

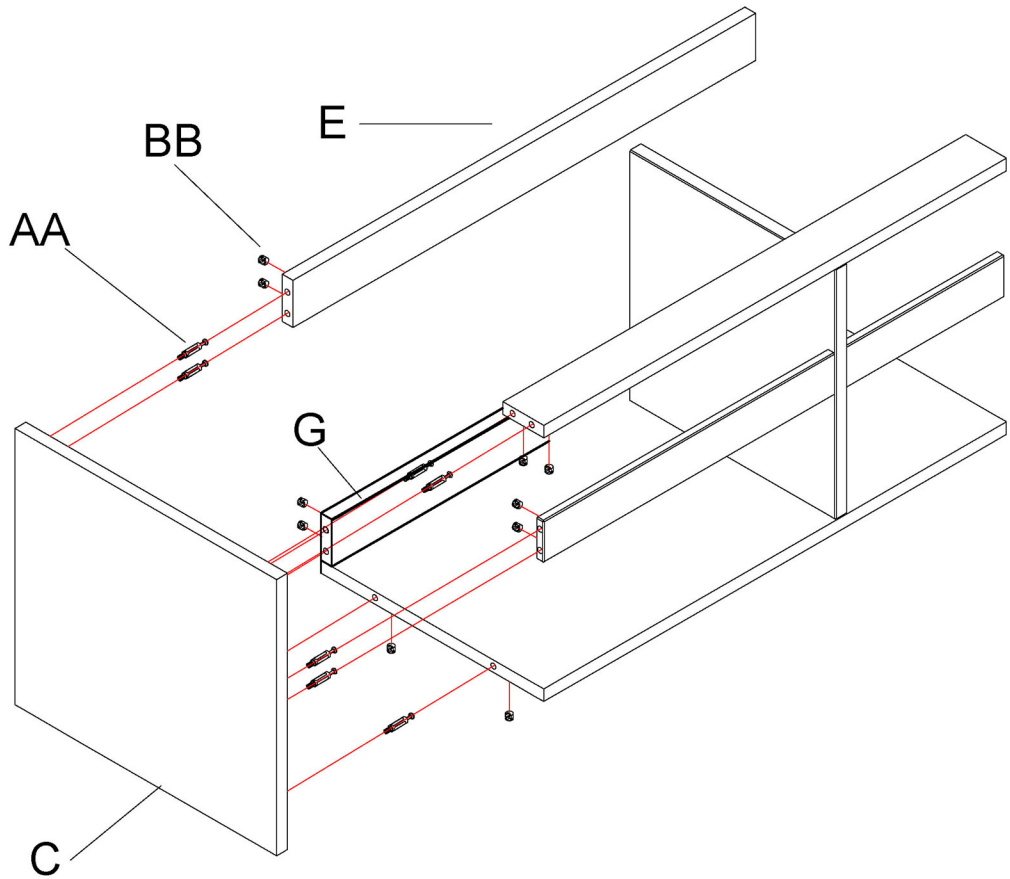


Installation Steps

Step 3

AA  x10

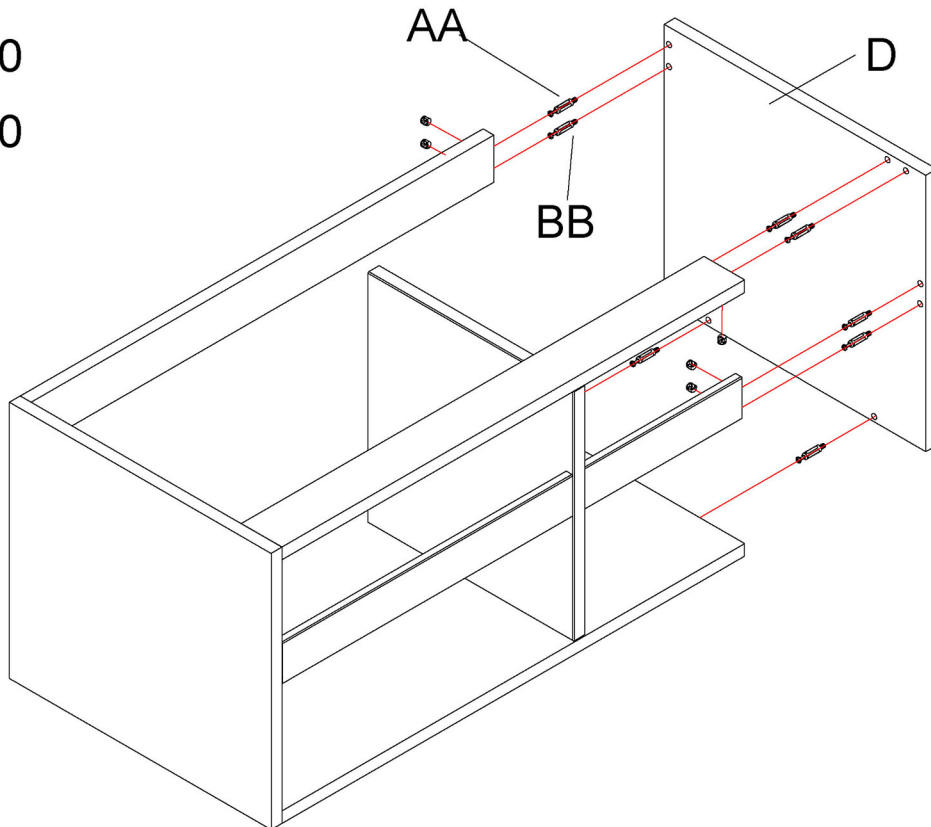
BB  x10



Step 4






AA  x10

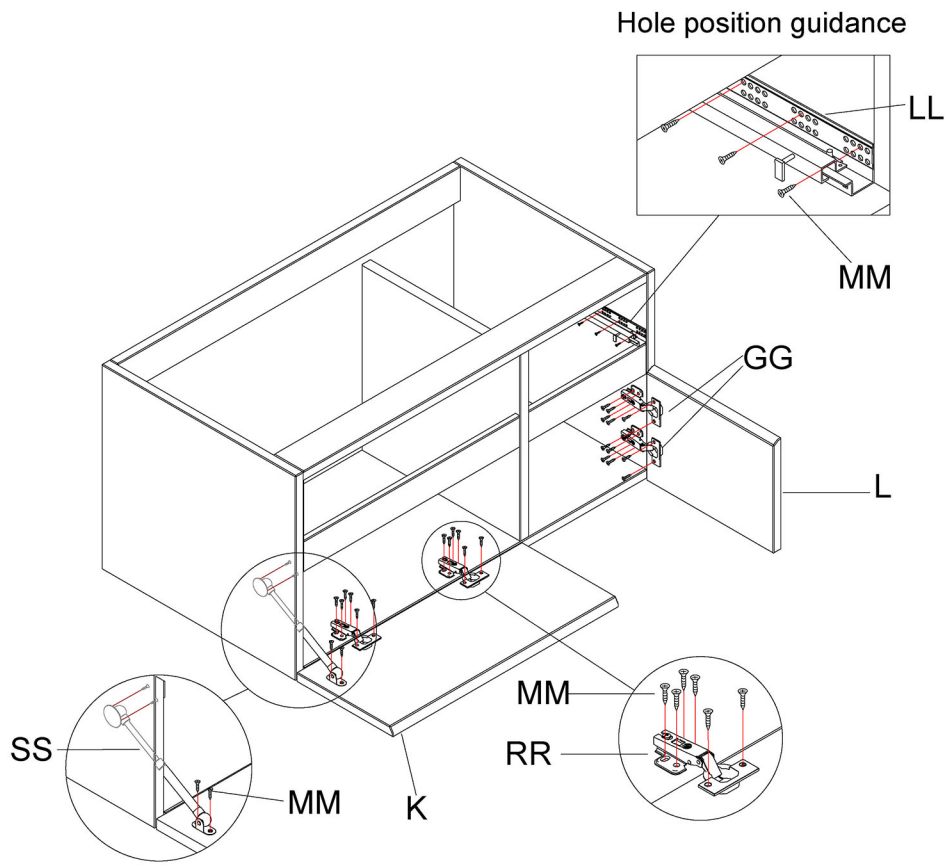
BB  x10




Installation Steps

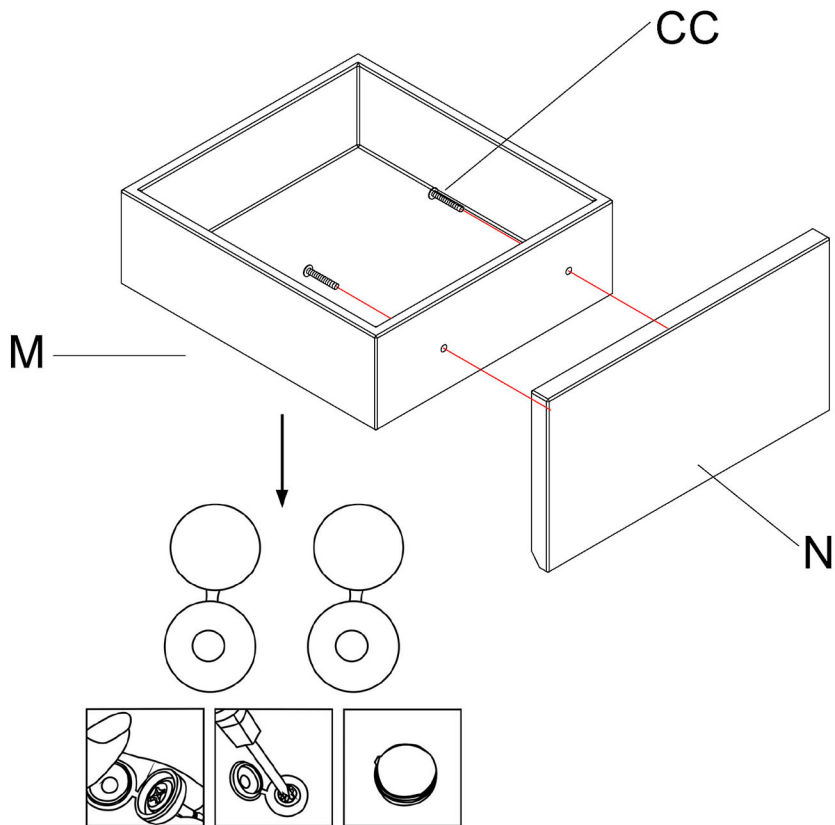
Step 5

- MM  x34
- RR  x2
- GG  x2
- LL  x2
- SS  x1



Step 6

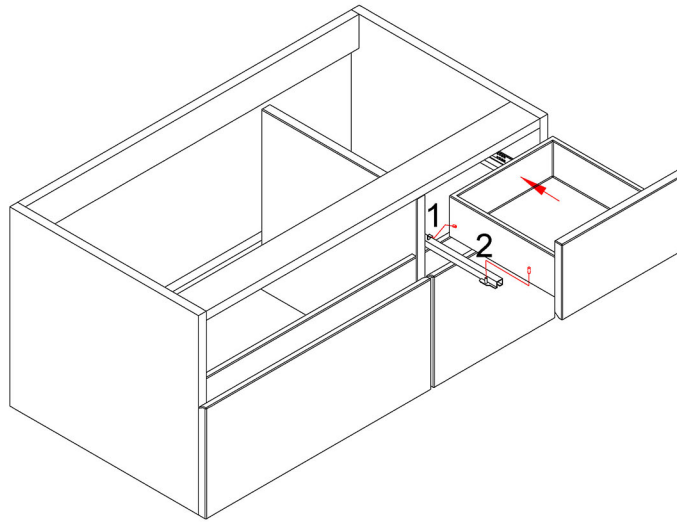
- CC  x2



1. Put the screws into the cap
2. Tight the screws and close the cap


Installation Steps

Step 7

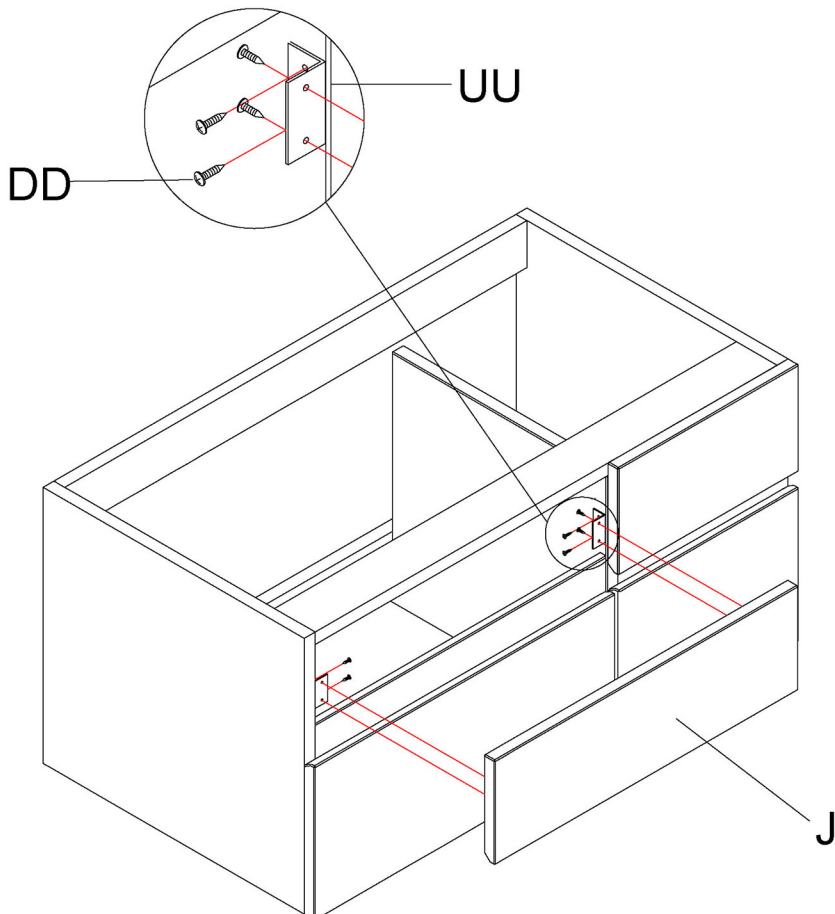


<p>front view</p>			
<p>1. Check that the nut is screwed to the bottom.</p>	<p>2. Tilt the drawer down, and slide the drawer inside along the rails.</p>	<p>3. Put the drawer down naturally.</p>	<p>4. Push to lock Pull to unlock</p>

Step 8

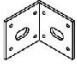





UU  x2

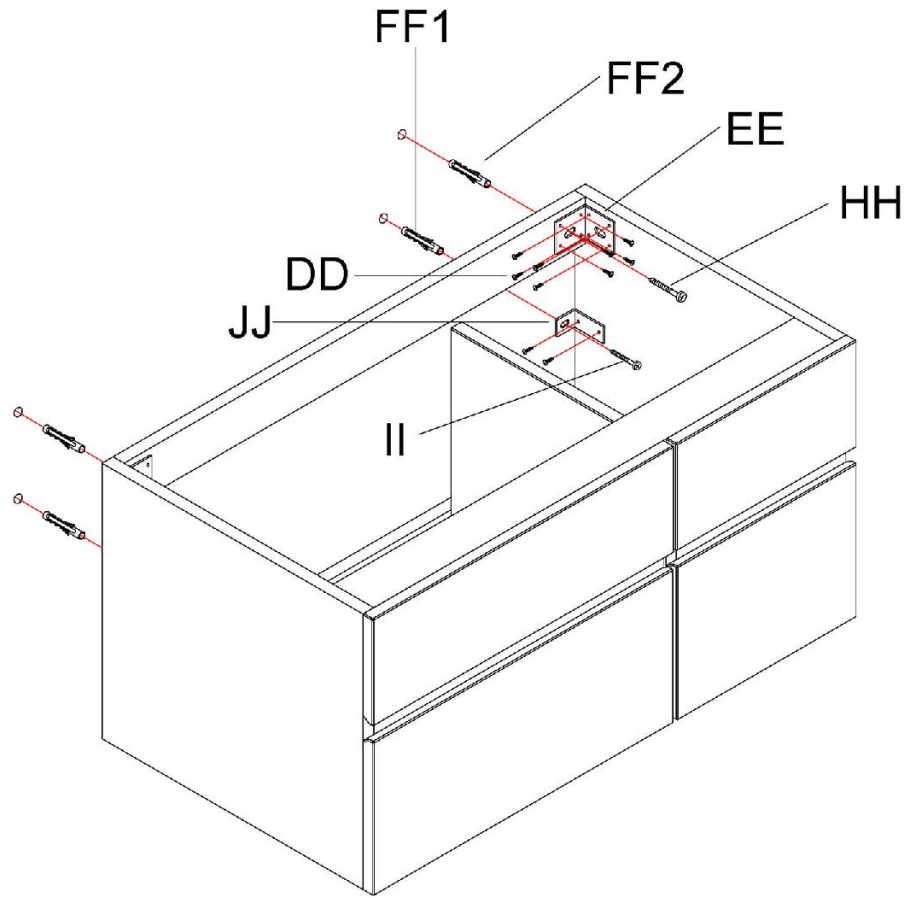
DD  x8



Installation Steps

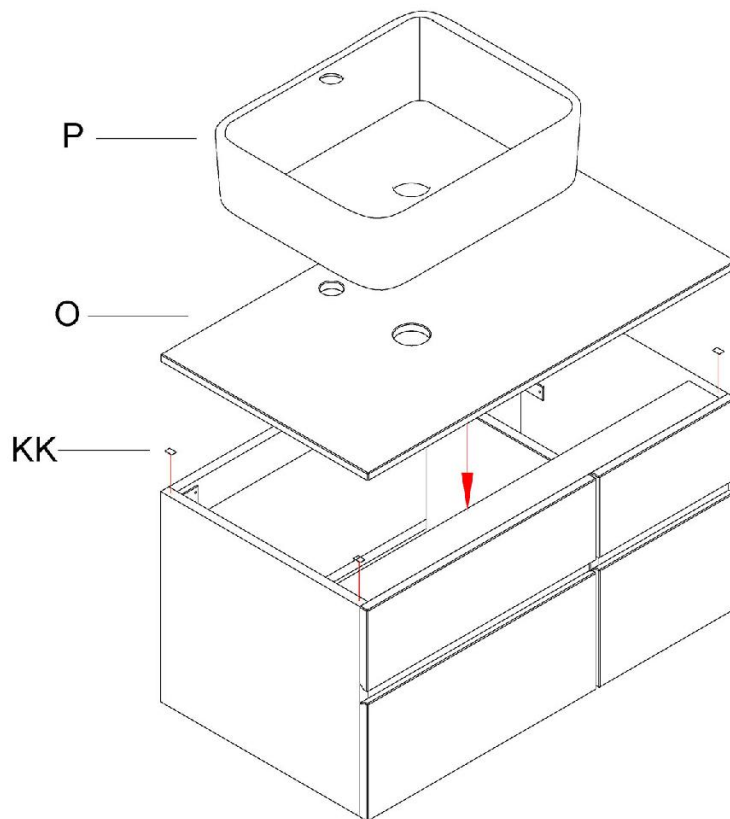
Step 9

- EE  x2
- FF  x4
- DD  x20
- HH  x2
- II  x2
- JJ  x2



Step 10

- KK  x4



Use and Maintenance

1. Keep the furniture vacant for half a month before use, and maintain good indoor ventilation to eliminate the residual odor in furniture surface coating.
2. Avoid the use of all chemicals, household cleaners and abrasives that may damage finish
3. Excessive exposure to sunlight and extreme changes in temperature and moisture can damage wood furniture.
4. Avoid placing hot appliances, such as curling irons and hot hair dryers directly on the counter top. Avoid placing extremely heavy items on the countertop.
5. Teach children not to play close to the glass sharp angles of furniture avoid accidental physical injury and damage to the furniture.
6. Open the doors and drawers of the furniture with appropriate force, and it is strictly forbidden to open and close them violently, which will cause loose connections.
7. Screws may become loose during long-term use. If necessary, retighten them to ensure stability and security.

Trouble Shooting

Problem	Cause Analysis	Handing Method
Door opening is not flexible	The furniture is not leveled	Use items to level the furniture
	The door hinges should be adjusted properly.	Adjust door hinges and apply lubricating oil
Inflexible opening of drawer	Overload or deformation	Reduce weight, adjust guide rails, lubricate
Loose component connection	Loose hinges or screws	The poke part should be coated with an appropriate amount of 502 glue, then re-install or tighten the screws.
Minor scratches	friction with hard or sharp objects	Use a brush to apply similar pigment ink along wood grain to the scratches, then wipe off the excess.
Water spots or rings	Caused by minerals left behind when water evaporates	These can be removed by buffing the spots gently with 00 gauge steel wool.