

SHOWER SYSTEM INSTALLATION

Contents

Before Use

General Guidelines.....	3
Before Installing.....	3

Installation Guide

Assembly Instructions.....	3
Precautions and Maintenance.....	3
Parts List.....	4
Rough-in & Water Pipe Installation Guide.....	5
Installation Steps of Shower Valve.....	6
Installation Steps of Hand Shower.....	12
Installation Steps of Body Jets.....	14
Installation Steps of Shower Head.....	15

Operation

Trouble Shooting.....	22
-----------------------	----

General Guidelines

1. Check the package and confirm all parts are included. If any part is missing or damaged, please contact us.
2. Do not disassemble the main body, as it has been installed & commissioned correctly & precisely before leaving the factory.
3. Shut off the main water supply prior to beginning installation.
4. Do flush the water supply lines to remove any dirt and debris before installation (**IMPORTANT**).
5. Make sure to connect the hot/cold inlet pipe correctly. If standing in front, connect hot water pipe to the left and cold water pipe to the right.
6. After the installation, check for leaks and make sure every joint is safely sealed.

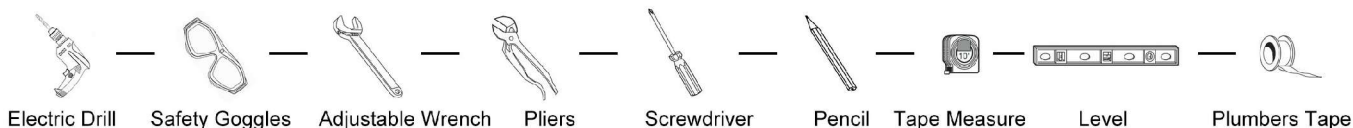
Before Installing

Read entire shower system installation instructions.

For the following installation instructions for your new shower panel could be assumed that the water supply lines are in place behind the finished wall and are directly accessible for shower installation, please check the installation accordingly.

Assembly Instructions

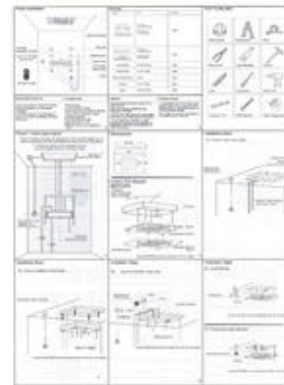
TOOLS YOU MAY NEED



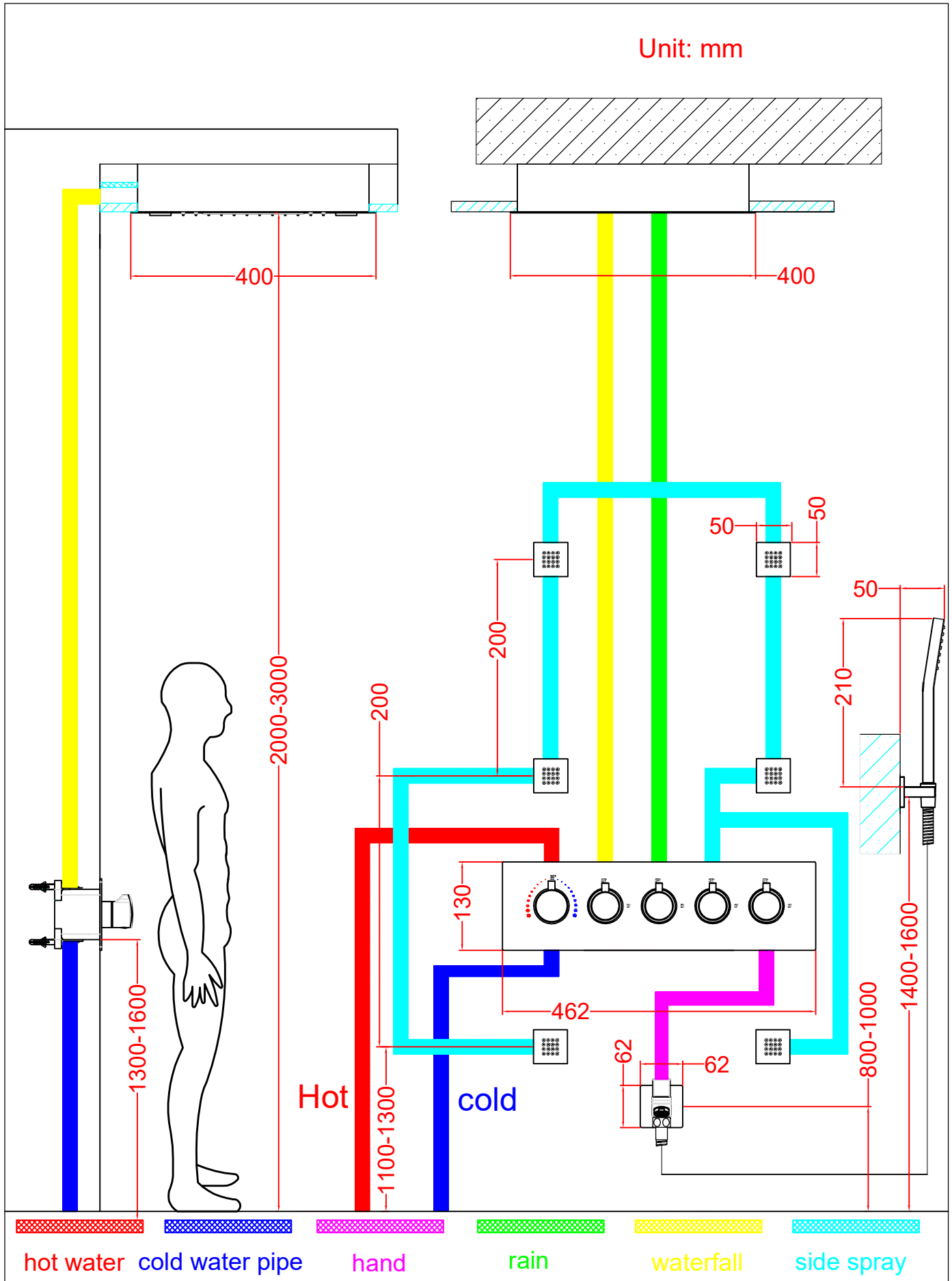
Precautions and Maintenance

1. In order to ensure the durability of the product please be as gentle and slow as possible during operation.
2. Clean the filter regularly.
3. When the shower is used for a long time and water is found to flow out intermittently there must be debris blocking the water outlet. At this time, you only need to gently touch & clean the soft rubber tips liquid or transparent glass detergent then rinse it with soft water, then gently wipe it with a dry soft cloth.
5. Do not use any scrubbing detergent, polisher, sand-cloth, paper tissue or scraper.
6. Do not use acid detergent, insoluble & grain-like detergent or soap.
7. If you will not use the shower for a long time please close the main water inlet valve in your home.
8. When the ambient temperature is under 0C/32°F, please take necessary measures to keep the water equipment warm.

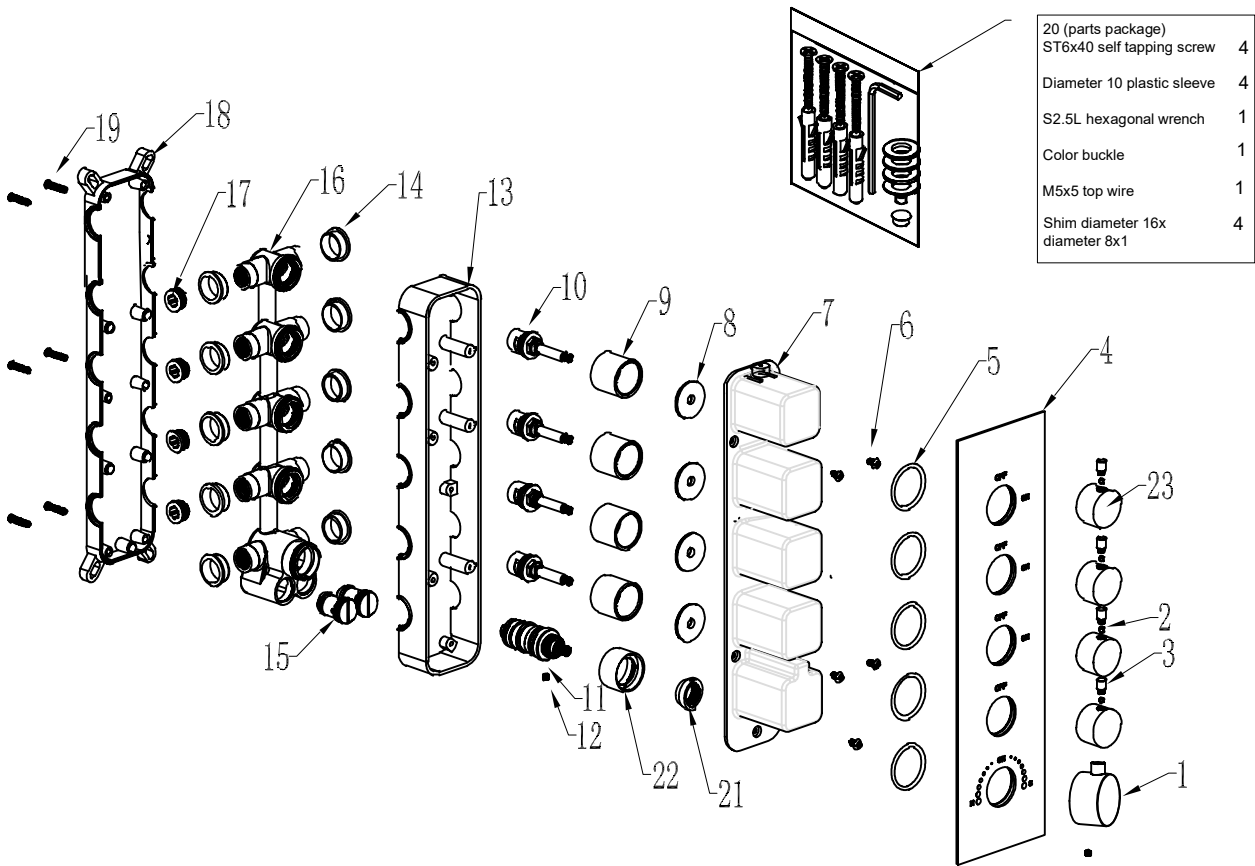
Parts List



Rough-in & Water Pipe Installation Guide



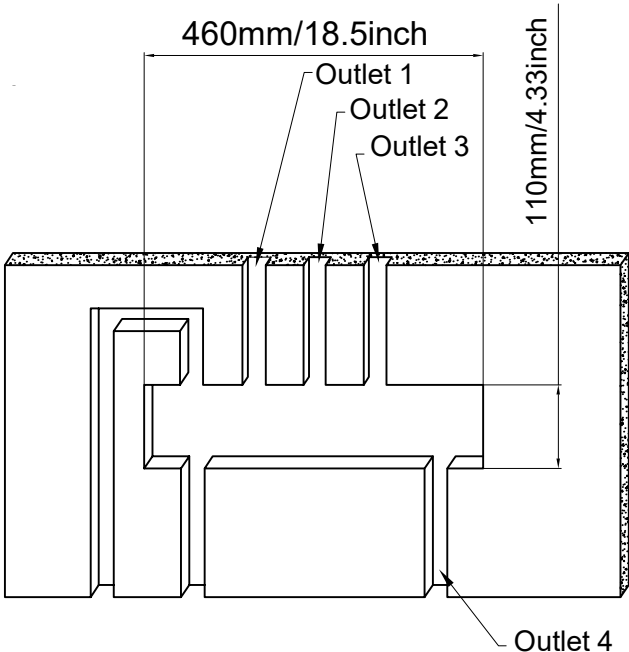
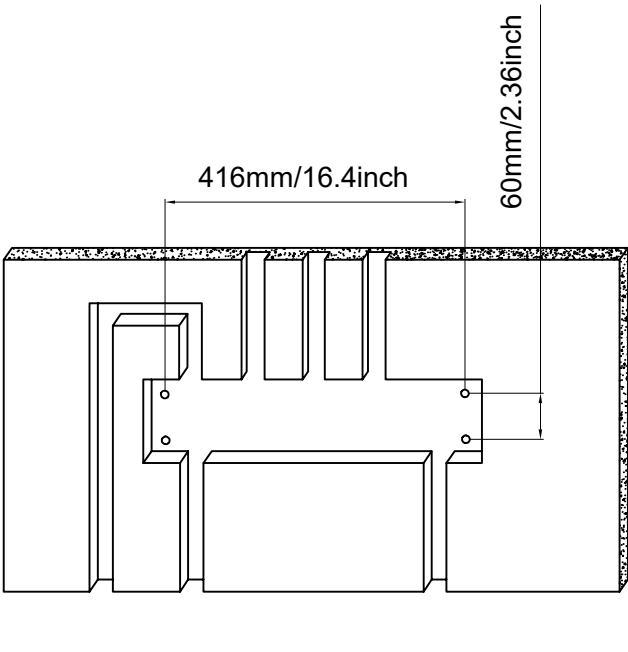
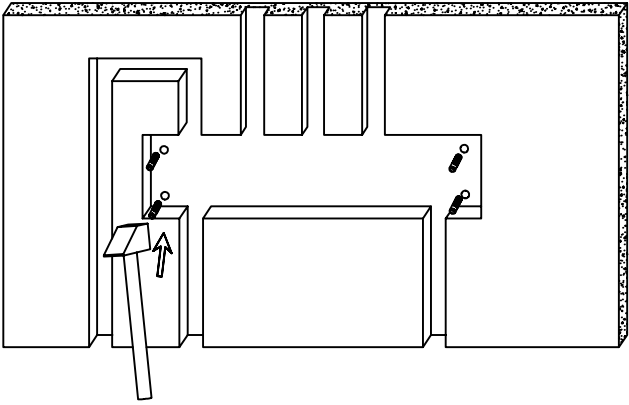
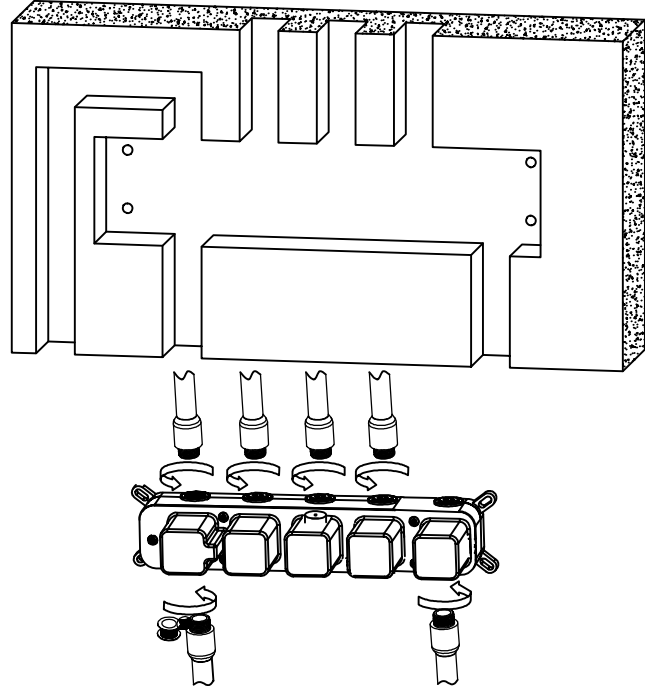
Installation Steps of Shower Valve



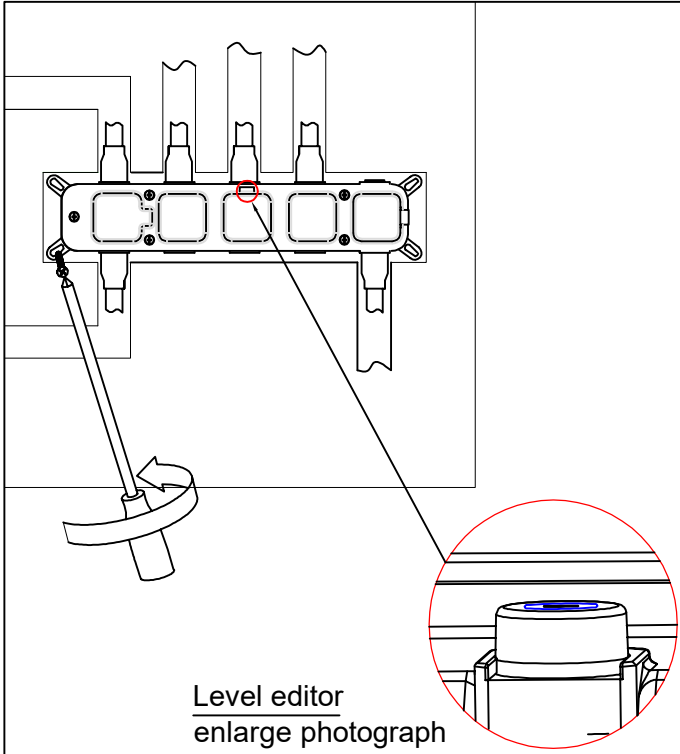
Serial Number	name	number
1	Temperature control handle	1
2	M5x5 pointed top thread	4
3	Handle	4
4	panel	1
5	O-ring	5
6	Pan head screw M5x10	5
7	Concealed protective cover - upper cover	1
8	Fixed sleeve	4
9	Sleeve 1	4
10	Switch valve core	4
11	Temperature regulating valve core	1
12	Thermostatic valve core screw	1
13	Concealed protective cover - middle cover	1
14	Body protective sleeve	10
15	Color buckle	2
16	body	1
17	plug	4
18	Concealed protective cover - lower cover	1
19	Pan head screw M5x25	6

20	Parts package	1
21	Temperature regulating plastic ring	1
22	Sleeve 2	1
23	handwheel	4

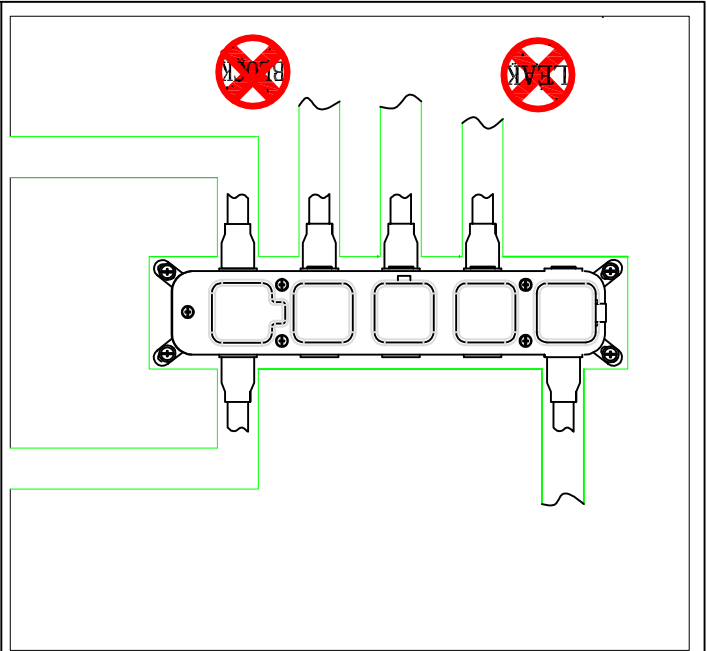
Installation Steps of Shower Valve

	
<p>1. Turn off the water supply. Determine pipe length and depth. Set up the waterlines properly based on the actual condition. The above diagram for plumber reference (Must pay attention-left is hot, right is cold).</p>	<p>2. Drill 4 positioning holes for the valve body. The above diagram for your reference.</p>
	
<p>3. Hammer the 4 expansion screws into the holes.</p>	<p>4. Wrap a few circles of raw material tape around the hot melt pipe, and then install the hot melt pipe to the valve body outlet.</p>

Installation Steps of Shower Valve

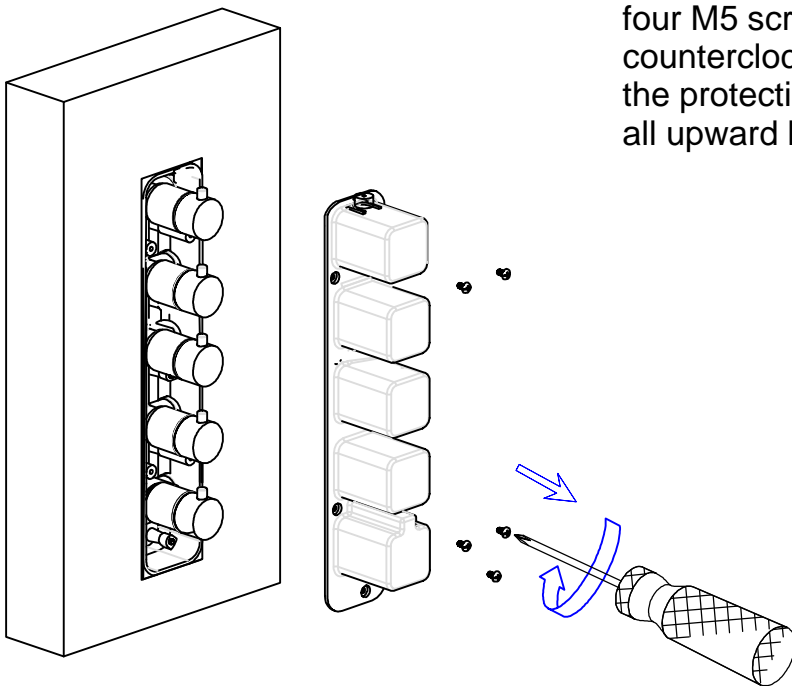


Level editor
enlarge photograph



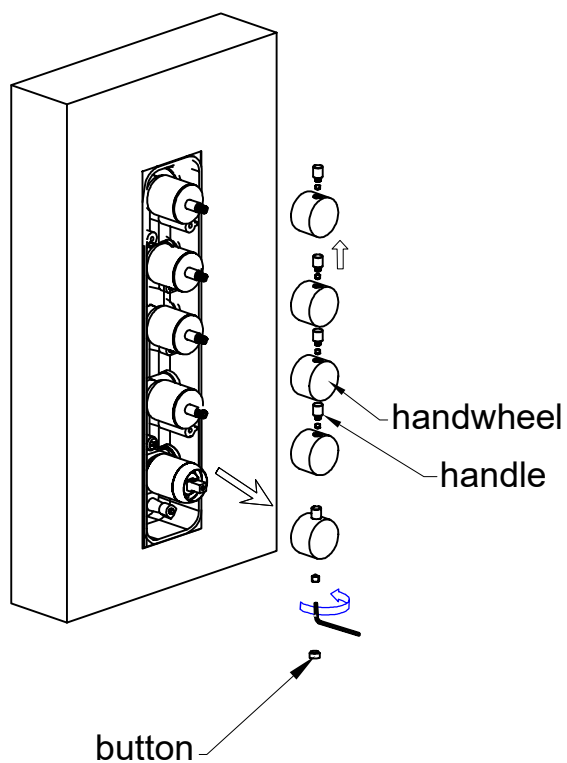
5. Adjust the embedded body (have connected all pipes) on the horizon line, and then screw the expansion bolts into fixed male screws to fix the embedded body.

6. Connect the hot/cold inlets and outlets properly. Open the water supply to check and test, ensure there is no leakage or blockage at each connection. At last, seal the wall.

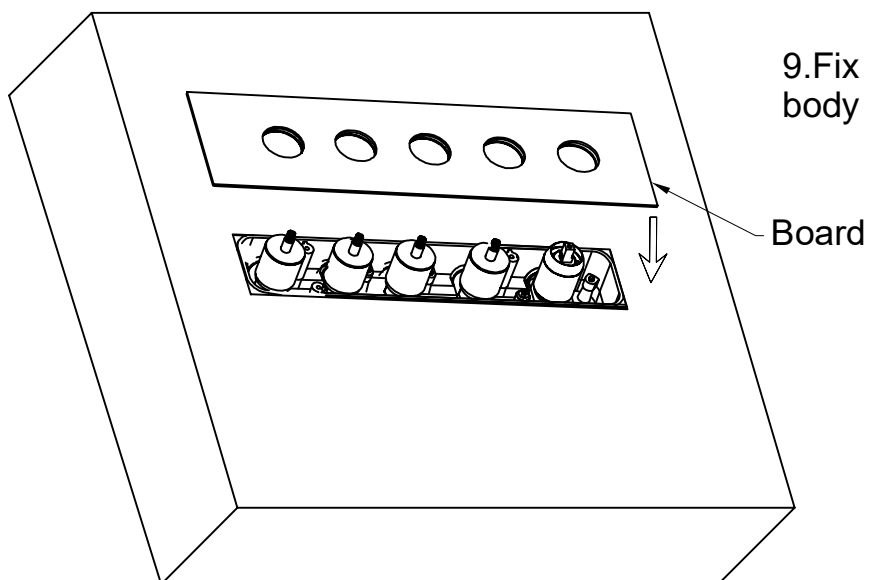


7. Use a Phillips screwdriver to loosen the four M5 screws of the protection box at counterclockwise direction and then take out the protection box. And then turn the handles all upward like the picture.

Installation Steps of Shower Valve

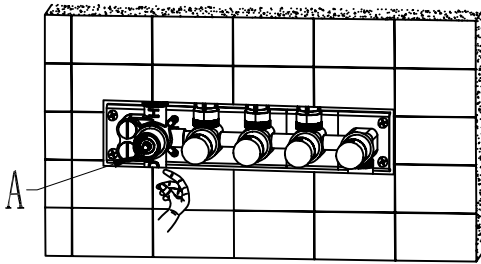


8. Remove four handles from the handwheels first. Then use a 2.5mm hexagon to take out the four handwheels. As for the thermostatic handwheel, you can take down the button first and then use the hexagon to take it out.



9. Fix the board onto the embedded body on the balance.

Installation Steps of Shower Valve

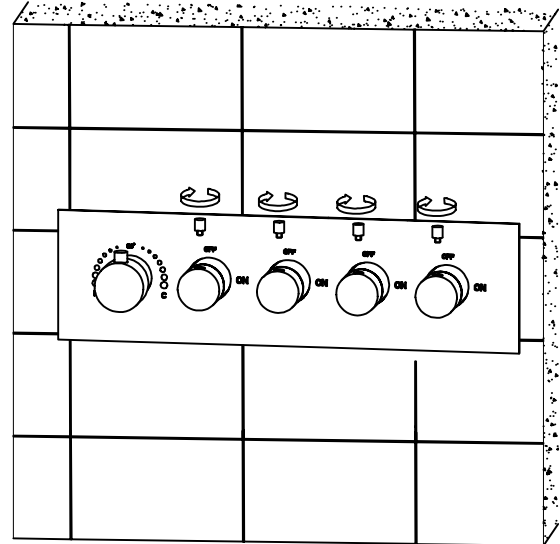
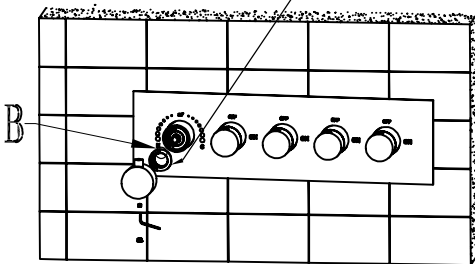


Alignment mark line
Magnified view A



Gear (hot stop) position
Magnified view B

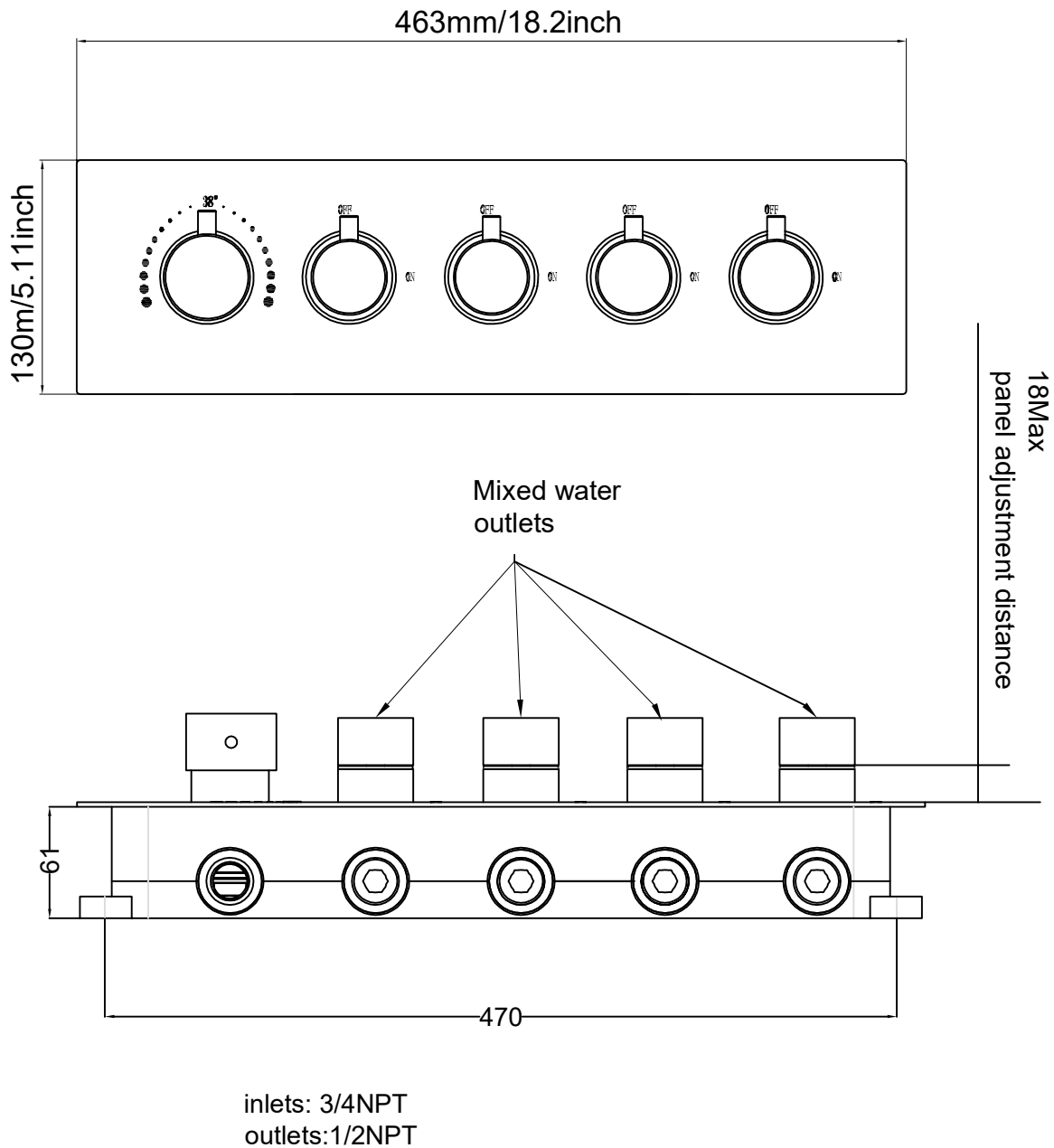
Attach this black plastic ring onto the valve stem with the hot stop gear mouth opening facing to the right



10. Temperature setting check. 1, Rotate the valve core clockwise or counterclockwise by hand to align the 2 marks on the valve core teeth (enlarged view A); 2, Attach the black gear ring on the valve core as picture directions (enlarged view B). 3, Install the handle and plug as picture shows.

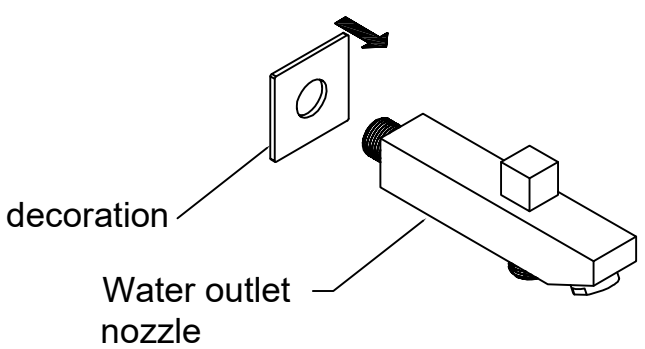
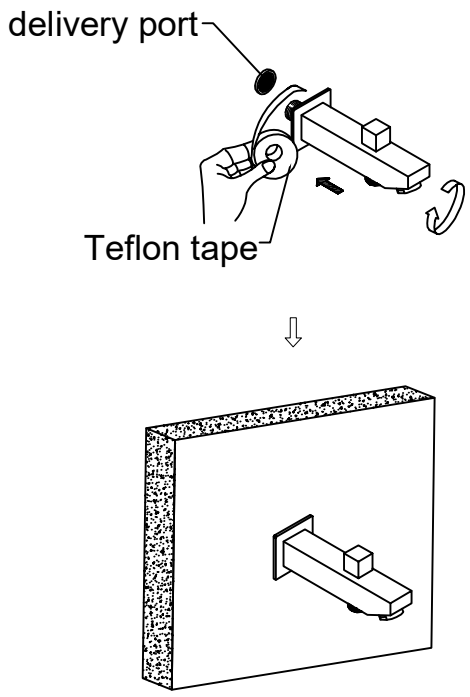
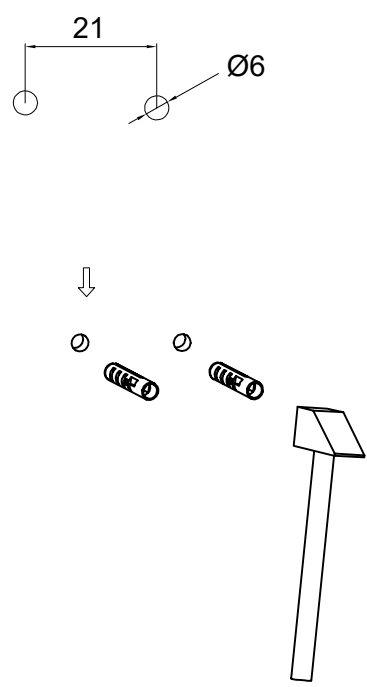
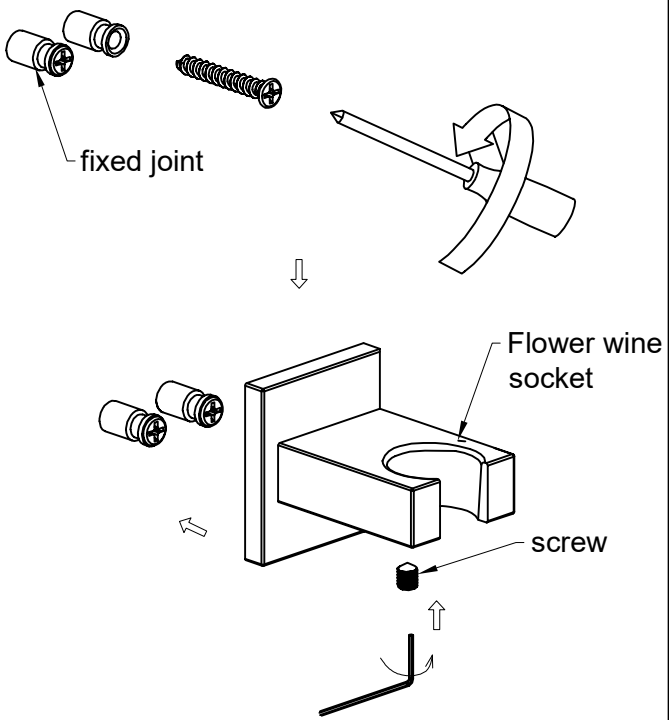
11. Screw the handwheel into the handles.

Installation Steps of Shower Valve

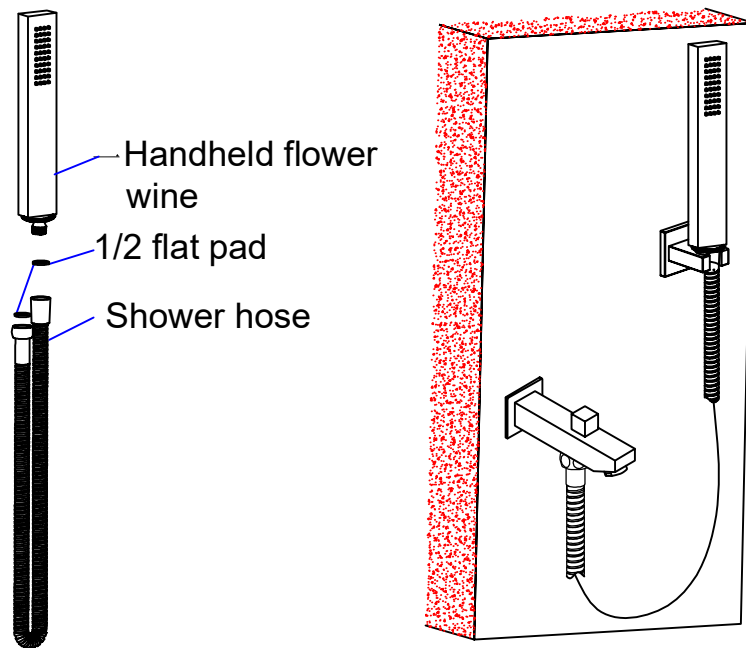


Please take accurate measurement according to the actual installation. Diagram only for your reference.

Installation Steps of Hand Shower

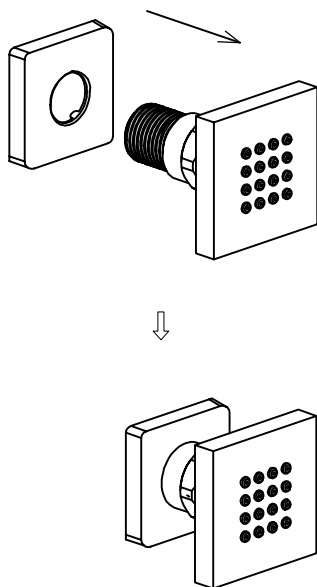
<p>Socket installation steps:</p> 	
<p>1. Install the decorative piece on the water outlet.</p>	<p>2. Insert an appropriate amount of raw material tape onto the thread of the water outlet nozzle and secure it onto the water outlet.</p>
	
<p>3. Drill a depth of 40mm on the wall according to the above dimensions and insert a plastic sleeve.</p>	<p>4. Lock the fixed joint with self working screws, and then insert the flower wine socket into the fixed joint and tighten it with a top screw</p>

Installation Steps of Hand Shower

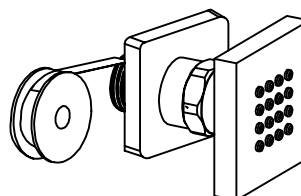


5. Install the handheld and hose, install the interface at the other end of the hose into the water outlet, and install the handheld fixed socket at the assembled handheld interface.

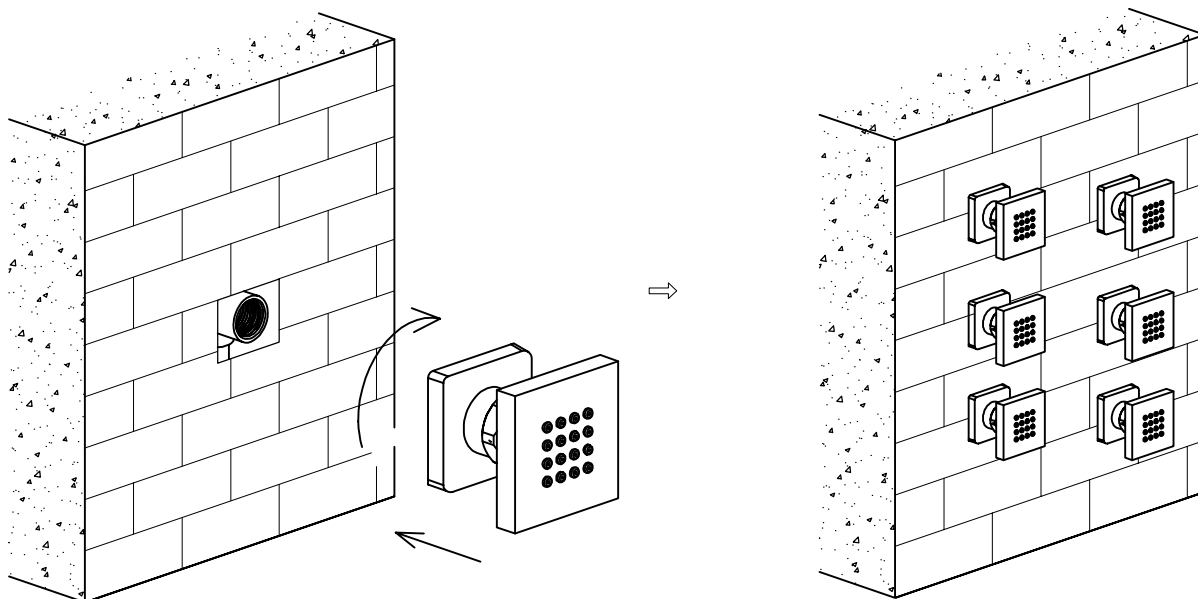
Installation Steps of Body Jets



1. Install the cover plate to the side spray pipe



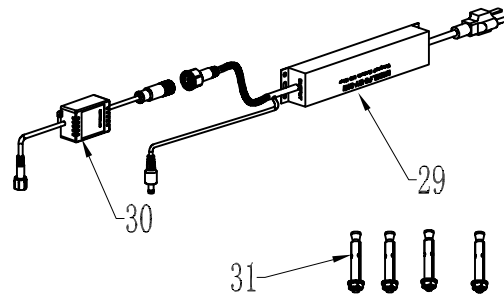
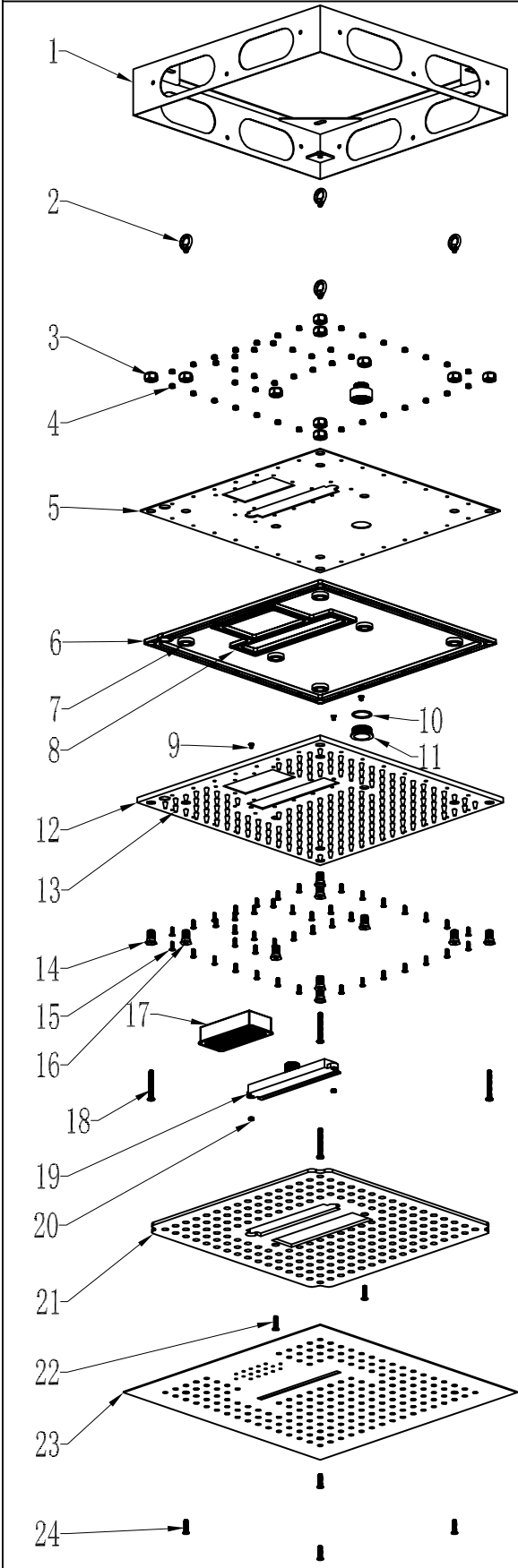
2. Apply Teflon tape to the threaded end of the valve body nozzle



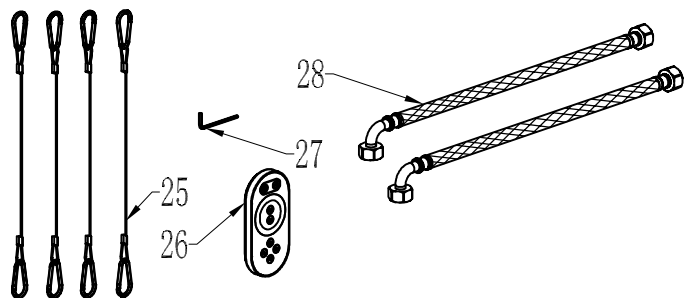
3. Use a wrench to screw the nozzle into the nozzle outlet.

Installation Steps of Shower Head

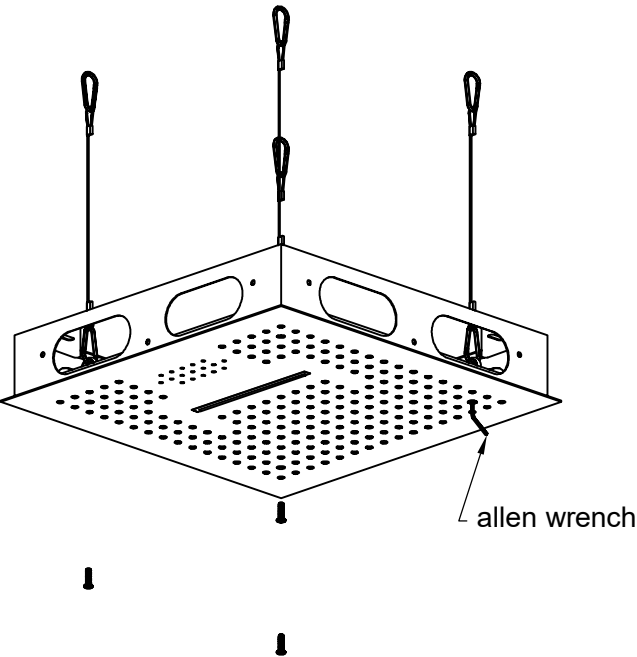
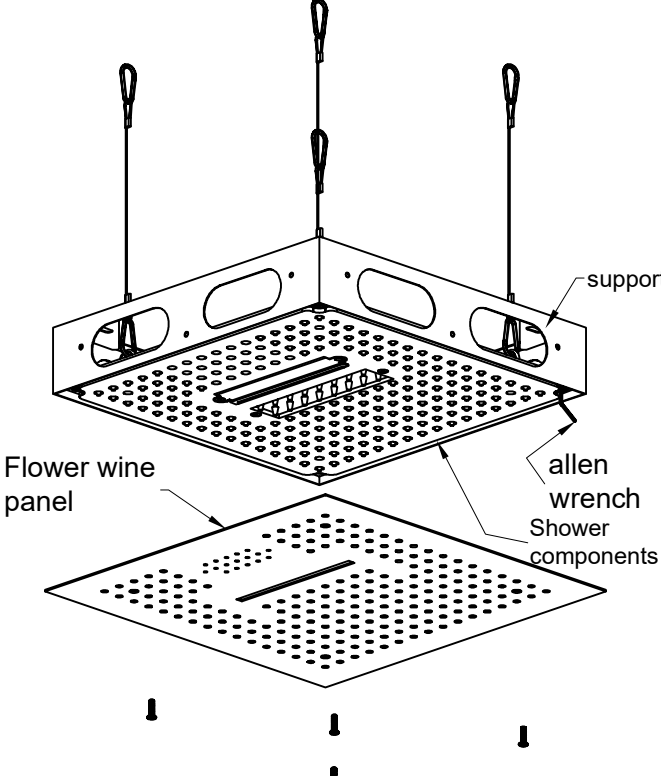
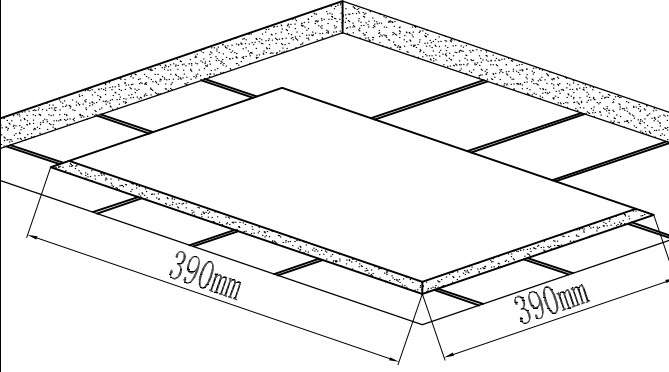
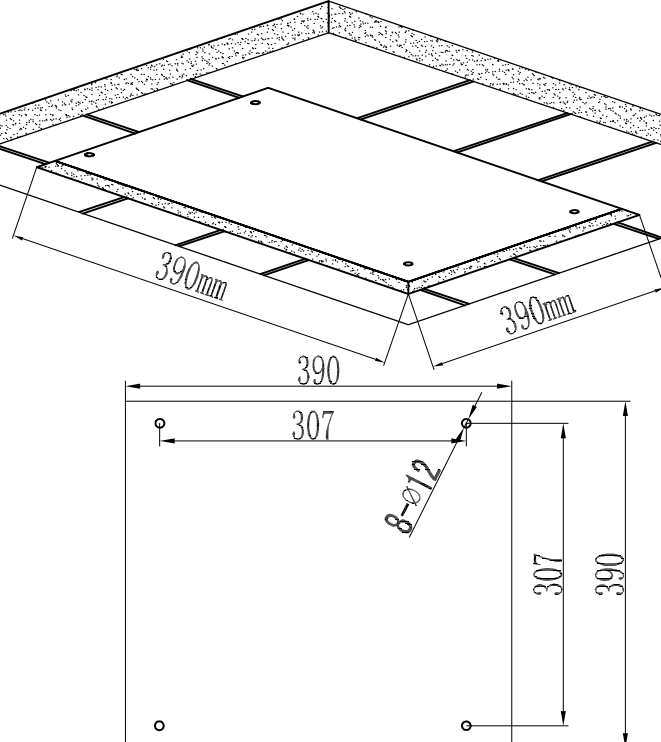
Parts List



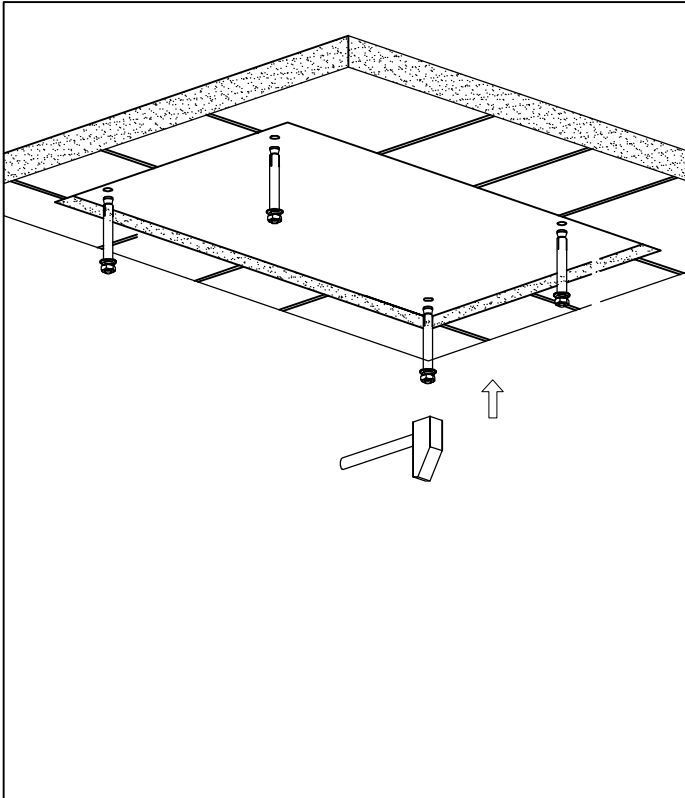
31	Explosion screw	4
30	Controller	1
29	Waterproof Electronic Driver	1
28	Inlet hose with elbow	2
27	Hexagonal wrench H3	1
26	Light remote control	1
25	Steel wire rope	4
24	Hexagon socket screw M5x18	4
23	Shower panel	1
22	Hexagon socket screw M5x18	2
21	Acrylic lamp cover	1
20	Nut M4	2
19	Waterfall outlet	1
18	Hexagon socket screw M5x40	4
17	sound	1
16	Sprinkler locking threaded joint 2	6
15	Hexagon socket screw M4x10	44
14	Sprinkler locking threaded joint 1	4
13	Sprinkler water outlet nozzle	245
12	Shower panel 1	1
11	Sprinkler water inlet nut	1
10	O-ring 25x2	1
9	Screw M5x6	3
8	Sealing ring 3	1
7	Sealing ring 2	6
6	Sealing ring 1	1
5	Stainless steel back plate	1
4	Nut 2	44
3	Nut 1	10
2	ring	8
1	Bracket	1
Serial Number	Name	number



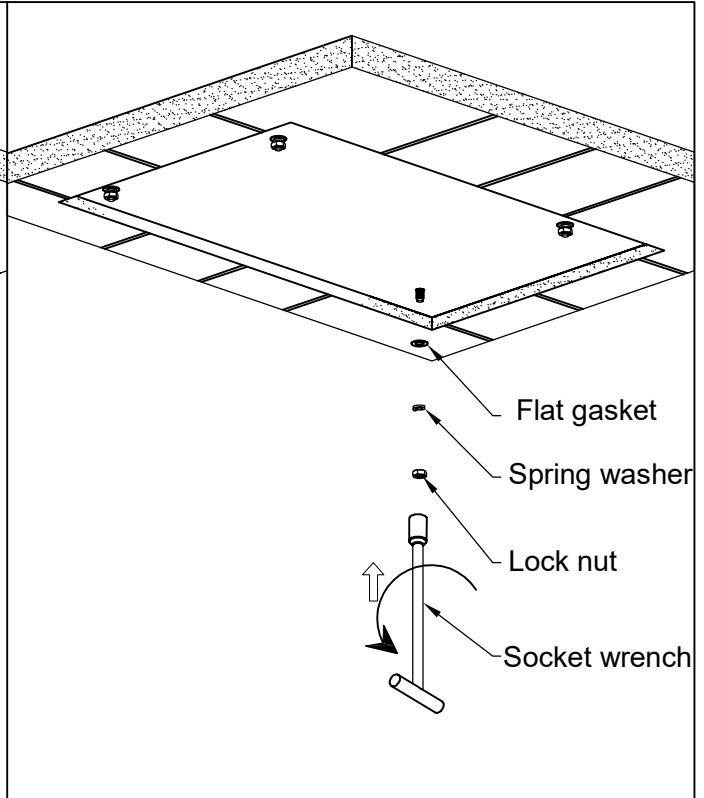
Installation Steps of Shower Head

	
<p>1. Please screw the M5X20 screws out using the allen wrench.</p>	<p>2. Use a hex wrench to remove the four screws at the corner and remove the shower component and bracket</p>
	
<p>3. Cut holes at a suitable position under the ceiling refer to the basic size of the product.</p>	<p>4. Refer to the basic size of the product, drill 8-Ø12 holes at a suitable position under the ceiling</p>

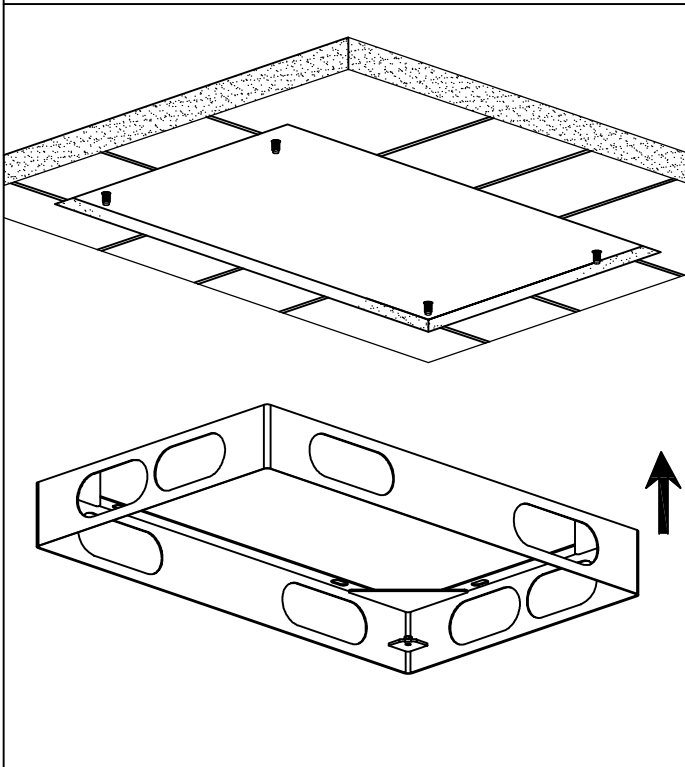
Installation Steps of Shower Head



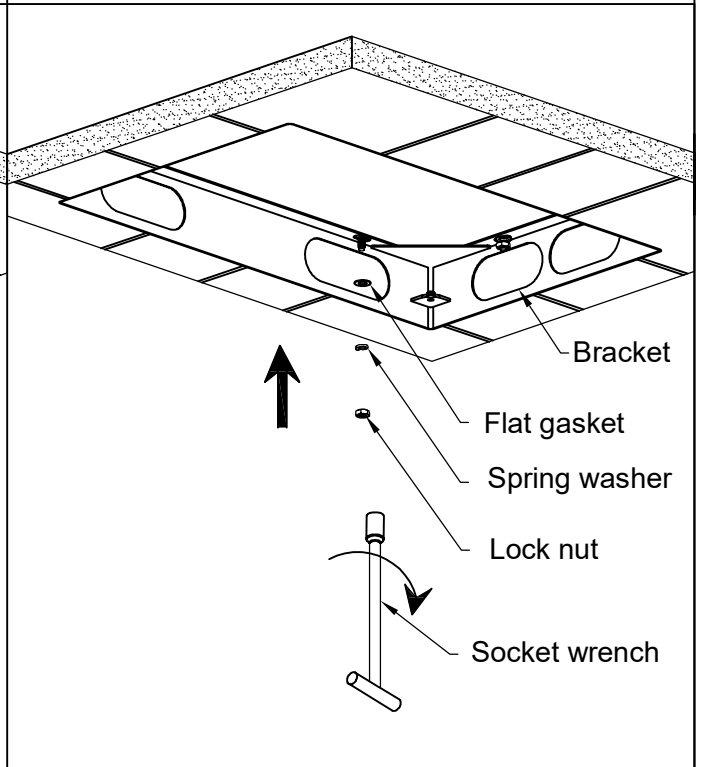
5. Play the explosion screw heads into the 4 hole with a hammer.



6. Use a socket wrench to lock the burst thread of the expansion screw.

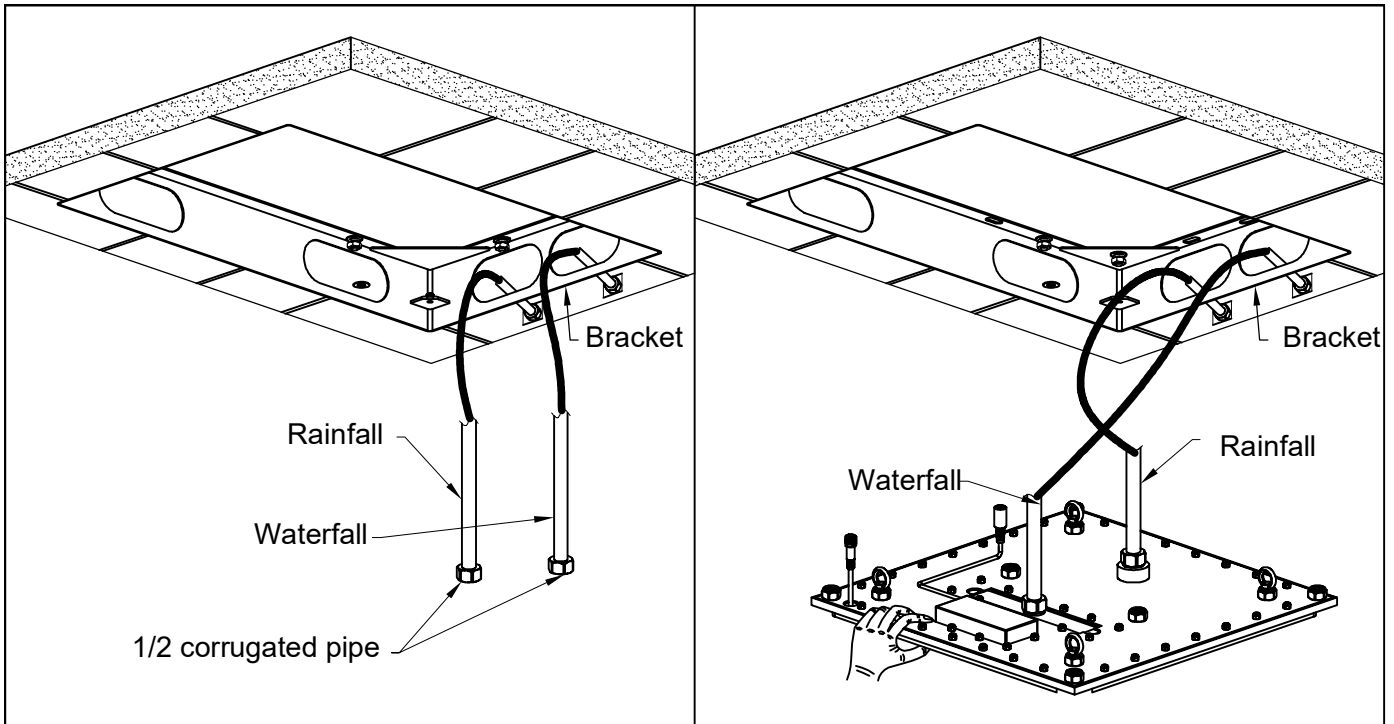


7. Move the bracket upwards so that the four expansion screw heads pass through the four holes of the bracket respectively.



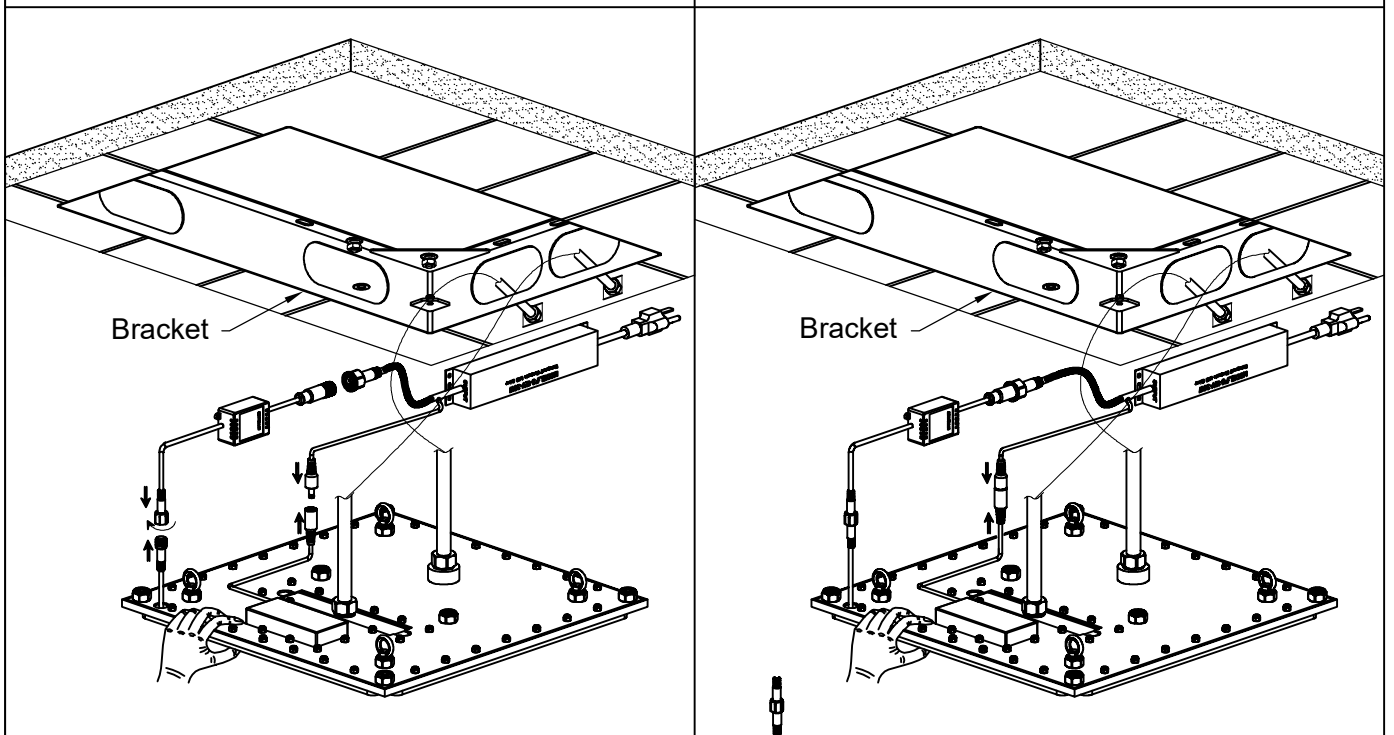
8. Install the washer and spring washer with explosive screwheads, and then use the copper sleeve wrench to lock the nut to the bracket, and the bracket is flush with the ceiling.

Installation Steps of Shower Head



9. Remove the gypsum board of the ceiling if have and then connect the 1/2 water inlet hoses(outer side) through the hole on the side wall of the bracket to the water inlet hole on the ceiling

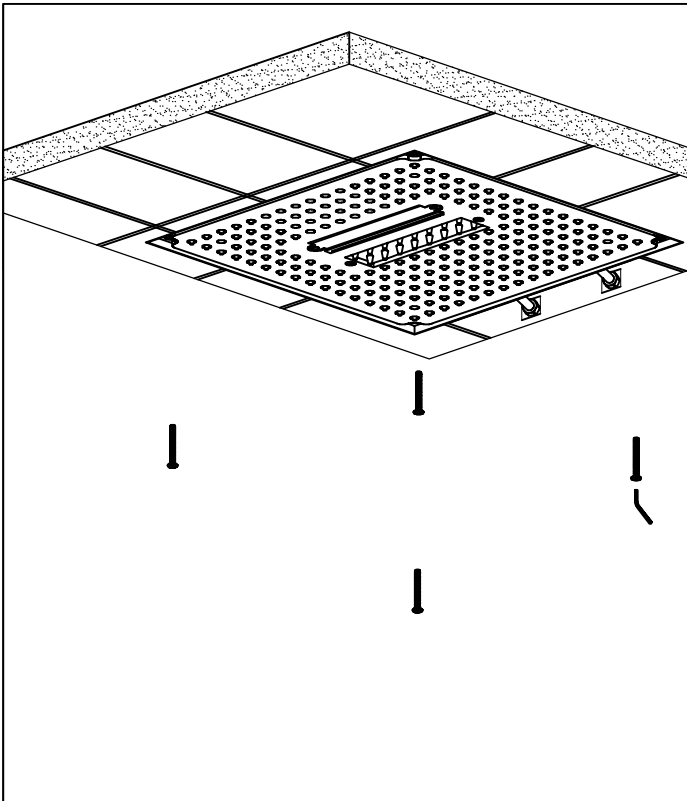
10. Connect two 1/2 water inlet hoses with rain and mist function pipes.



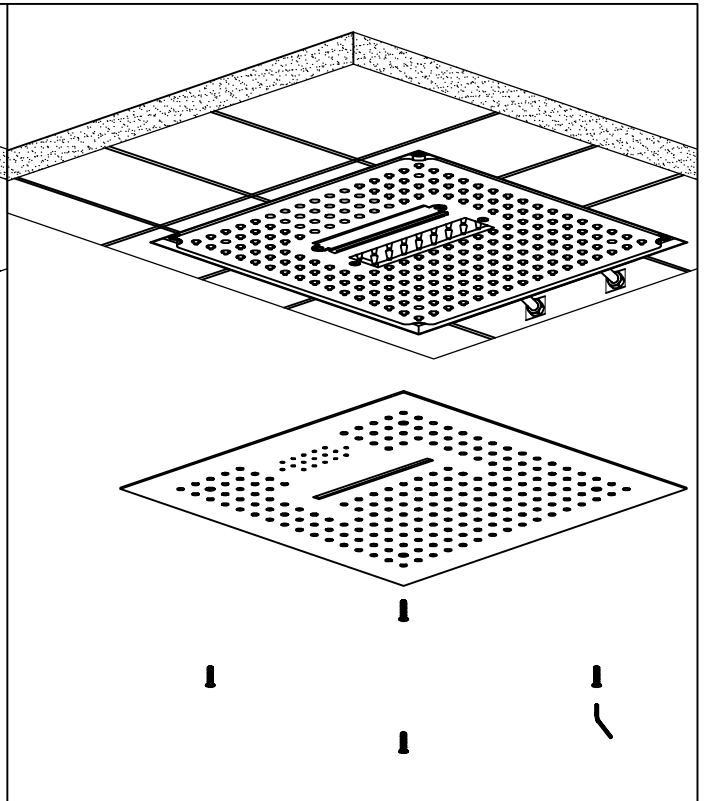
11. Link the controller and waterproof electronic light-emitting diode driver, and then connect them to the connector of the sprinkler component.

12. Fix the controller and waterproof electronic LED driver to the wall, and then plug the power plug into the plug-in board.

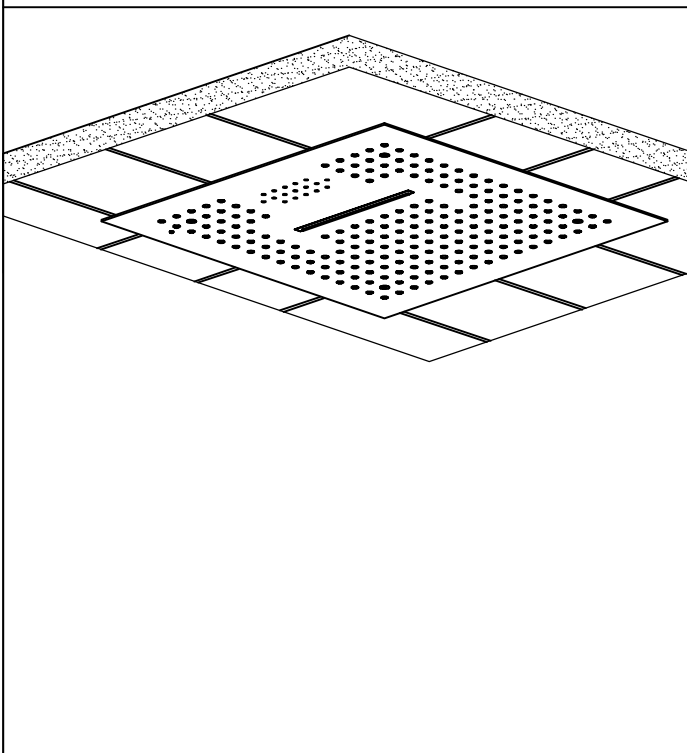
Installation Steps of Shower Head



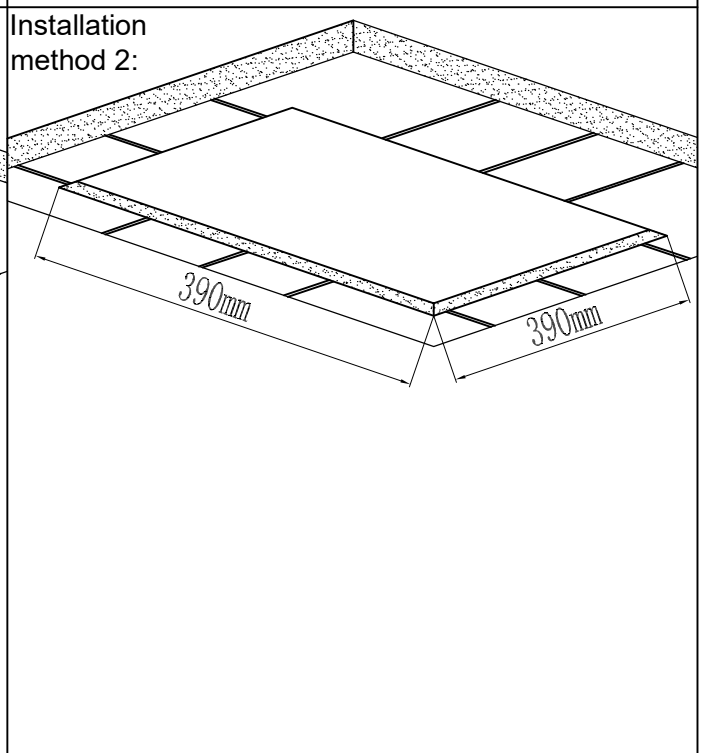
13. Connect the sprinkler component to the bracket with M5x40 screws



14. Connect the shower panel to the shower component with M5x20 screws

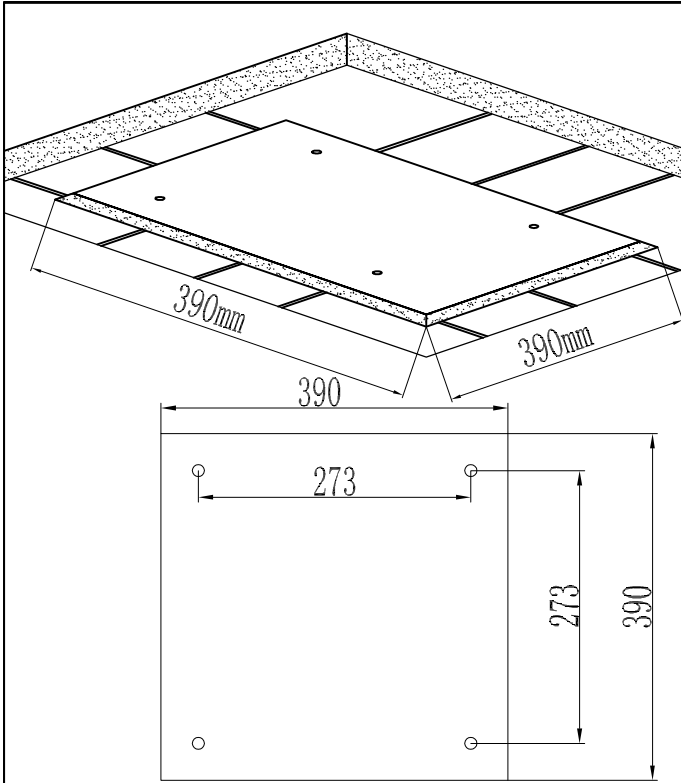


15. Installation completion

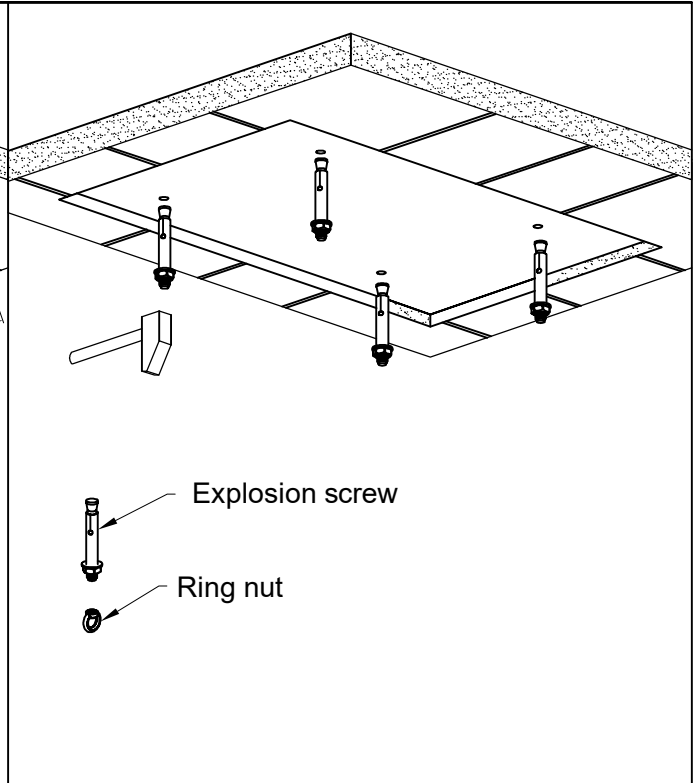


1. Cut holes at a suitable position under the ceiling refer to the basic size of the product.

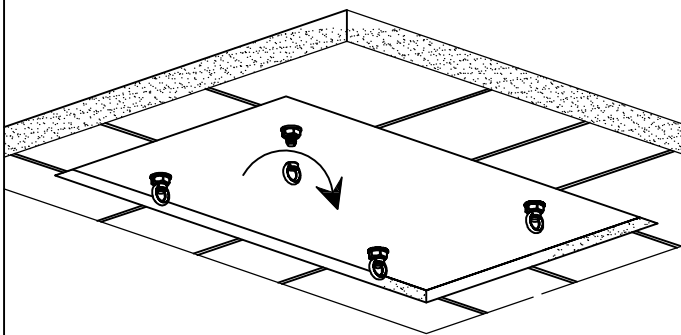
Installation Steps of Shower Head



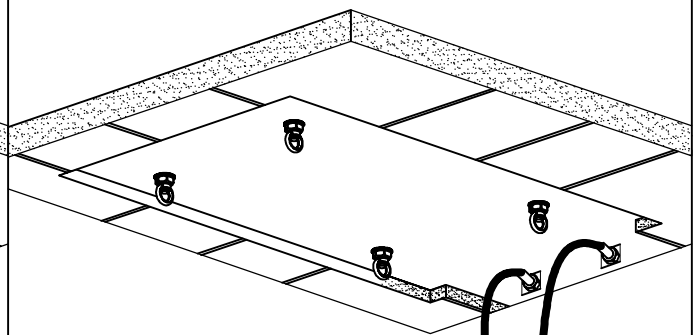
2. Refer to the basic size of the product, drill 4- \varnothing 12 holes at a suitable position under the ceiling.



3. First, rotate the 4 explosive screws with ring nuts counterclockwise and remove them separately. Then, use a hammer to drive the explosive screws into the four holes on the top of the wall

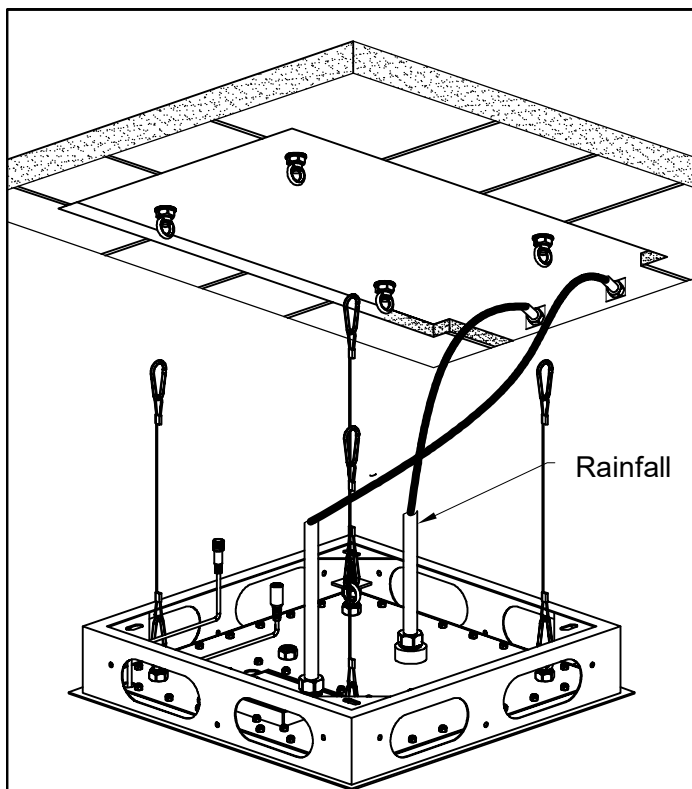


4. Rotate the 4 ring nuts clockwise and lock them onto the explosion screw separately

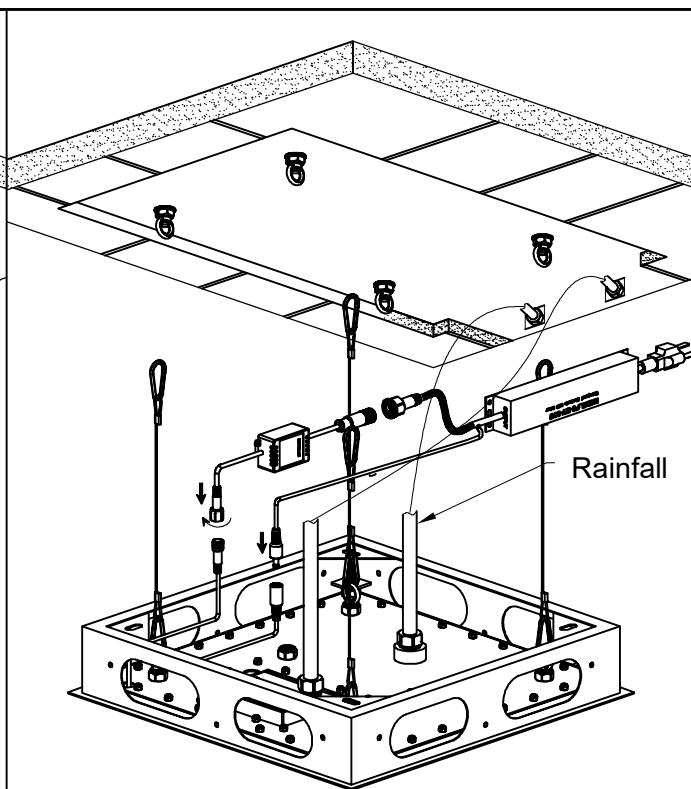


5. Remove the gypsum board and connect the corrugated pipe and water inlet joint

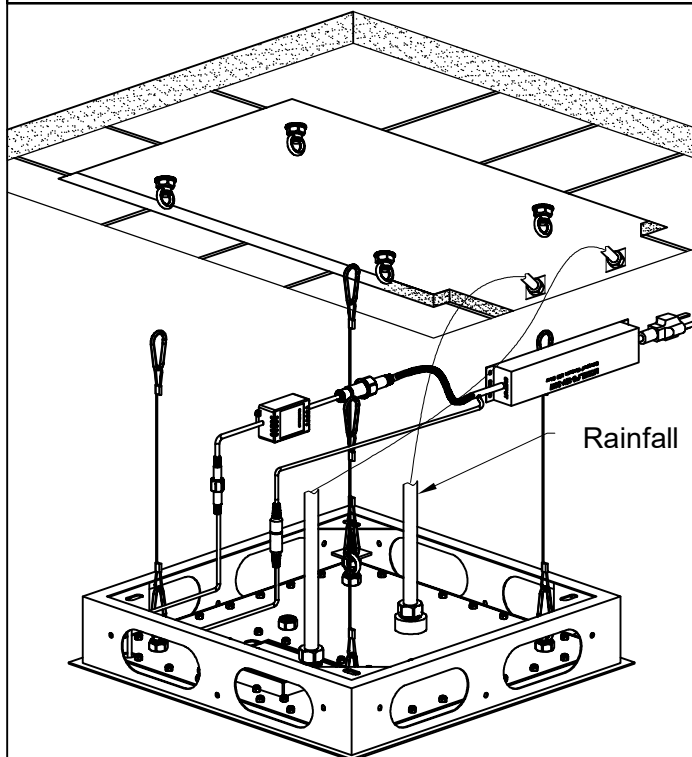
Installation Steps of Shower Head



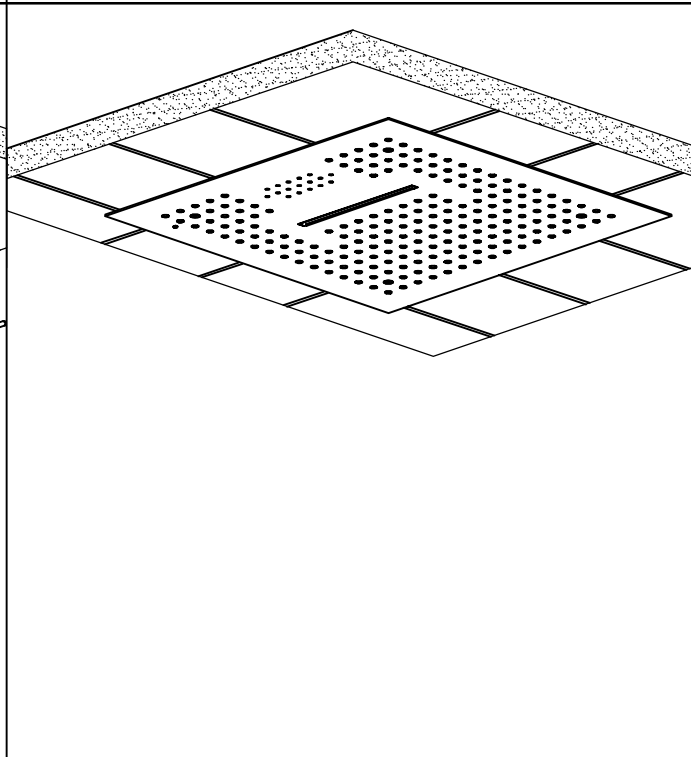
6. Connect the other end of the corrugated pipe to the shower component



7. Link the controller and waterproof electronic light-emitting diode driver, and then connect them to the connector of the shower component



8. Secure the controller and waterproof electronic LED driver to the wall, and then plug the power plug into the plugboard.



9. Hang the stainless steel wire hook on the ring explosion screw at the top of the wall and seal the gypsum board

Troubleshooting

Problem	Possible Cause	Corrective Action
Water does not shut off completely.	<ol style="list-style-type: none"> 1. O-ring is not seated correctly or worn. 2. Cartridge may be defective. 	<ol style="list-style-type: none"> 1. Reseat or replace O-ring. 2. Replace cartridge.
Leaks at waterline connection.	<ol style="list-style-type: none"> 1. Worn or broken washer. 2. Faucet body may be defective. 	<ol style="list-style-type: none"> 1. Replace washer. 2. Replace faucet (contact us for the replacement).
Leaks from handle.	<ol style="list-style-type: none"> 1. Cartridge may come loose. 2. Cartridge may be defective. 	<ol style="list-style-type: none"> 1. Reseat cartridge tight. 2. Replace cartridge.
Leaks at hose connection.	<ol style="list-style-type: none"> 1. Hose connection is loose. 	<ol style="list-style-type: none"> 1. Tighten hose. 2. Replace hose.
Leaks at shower valve connection.	<ol style="list-style-type: none"> 1. Connection may come loose or not sealed completely. 2. Defective shower valve inlet or outlet connector. 	<ol style="list-style-type: none"> 1. Check connections. 2. Replace valve body.
Diverter knob does not work.	<ol style="list-style-type: none"> 1. Diverter cartridge may be defective. 	<ol style="list-style-type: none"> 1. Replace cartridge.
LED light does not Light or noisy LED showerhead.	<ol style="list-style-type: none"> 1. Defective LED generator. 	<ol style="list-style-type: none"> 1. Replace LED spray head (for kitchen faucet). 2. Replace LED threaded pipe (for seperate faucet spout). 3. Replace LED generator (for others).
Low flow.	<ol style="list-style-type: none"> 1. Check for water pressure problems. 2. Aerator may be dirty or clogged. 	<ol style="list-style-type: none"> 1. Clean or replace the aerator. 2. Remove waterflow restrictor if available. 3. Install booster or pump (if applicable).