

Kitchen Faucet

Contents

Before Use

General Guidelines..... 03

Installation Guide

Assembly Instructions..... 03
Parts List..... 03
Installation Steps..... 04

Operation

Cleaning&Care..... 05
Trouble Shooting..... 05

General Guidelines

1. Check the package and confirm all parts are included. If any part is missing or damaged, please contact us.
2. Do not disassemble the main body, as it has been installed & commissioned correctly & precisely before leaving the factory.
3. Shut off the main water supply prior to beginning installation.
4. Do flush the water supply lines to remove any dirt and debris before installation (**IMPORTANT**).
5. Make sure to connect the hot/cold inlet pipe correctly. If standing in front, connect hot water pipe to the left and cold water pipe to the right.
6. After the installation, check for leaks and make sure every joint is safely sealed.

Assembly Instructions

TOOLS YOU MAY NEED



Electric Drill



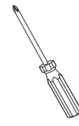
Safety Goggles



Adjustable Wrench



Pliers

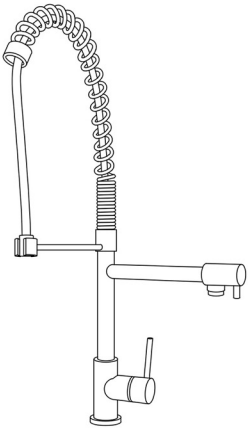


Screwdriver

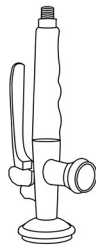


Pencil

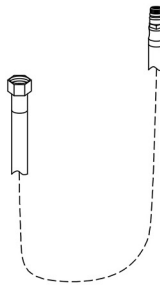
Parts List



Hx1



Jx1



Gx2



Ax1



Bx1



Cx1



Dx1



Ex1



Fx1



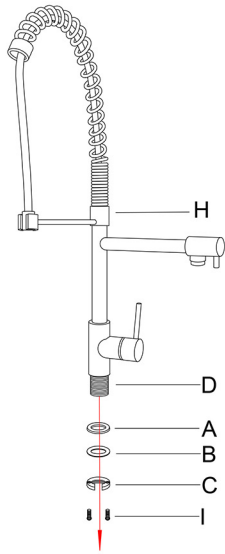
Ix1

Notes:



Check the accessory package after unwrapping it and confirm each accessory is included.

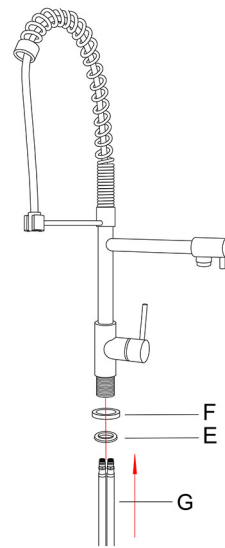
Installation Guide

Step 1

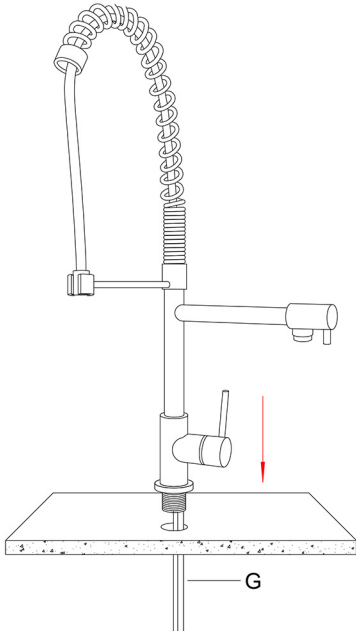


Step 2





- E  x1
- F  x1

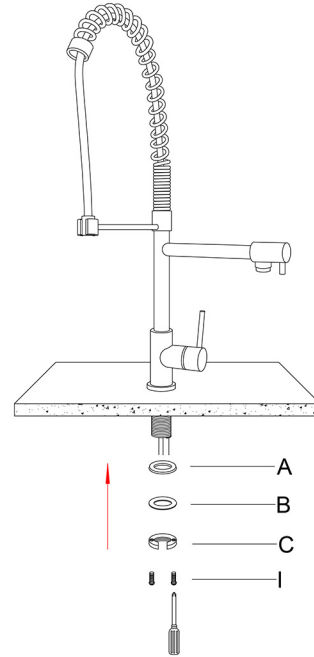


Step 3

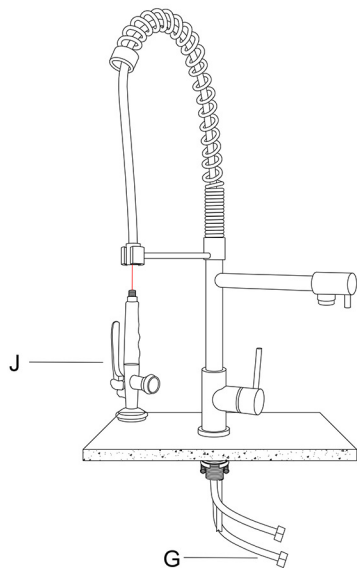


Step 4

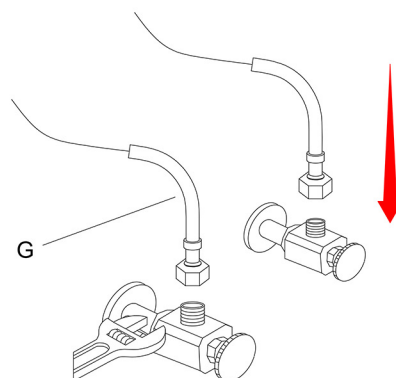
- A  x1
- B  x1
- C  x1
- I  x2



Step 5



Step 6



Cleaning and Care

Turn off the touch tap and remove the batteries in the battery holder if it is not used for a long time. Care should be exercised when cleaning this product. Although its finish is durable, it can be damaged from harsh abrasives and cleaning pads. To clean, use light, non-abrasive cleaning solution or cleaning polish.

Troubleshooting

Problem	Possible Cause	Corrective Action
Water does not shut off completely.	1. O-ring is not seated correctly or worn. 2. Cartridge may be defective.	1. Reseat or replace O-ring. 2. Replace cartridge.
Leaks at waterline connection.	1. Worn or broken washer. 2. Faucet body may be defective.	1. Replace washer. 2. Replace faucet (contact us for the replacement).
Leaks from handle.	1. Cartridge may come loose. 2. Cartridge may be defective.	1. Reseat cartridge tight. 2. Replace cartridge.
Leaks at hose connection.	1. Hose connection is loose.	1. Tighten hose. 2. Replace hose.
Leaks at shower valve connection.	1. Connection may come loose or not sealed completely. 2. Defective shower valve inlet or outlet connector.	1. Check connections. 2. Replace valve body.
Diverter knob does not work.	1. Diverter cartridge may be defective.	1. Replace cartridge.
LED light does not Light or noisy LED showerhead.	1. Defective LED generator.	1. Replace LED spray head (for kitchen faucet). 2. Replace LED threaded pipe (for seperate faucet spout). 3. Replace LED generator (for others).
Low flow.	1. Check for water pressure problems. 2. Aerator may be dirty or clogged.	1. Clean or replace the aerator. 2. Remove waterflow restrictor if available. 3. Install booster or pump (if applicable).