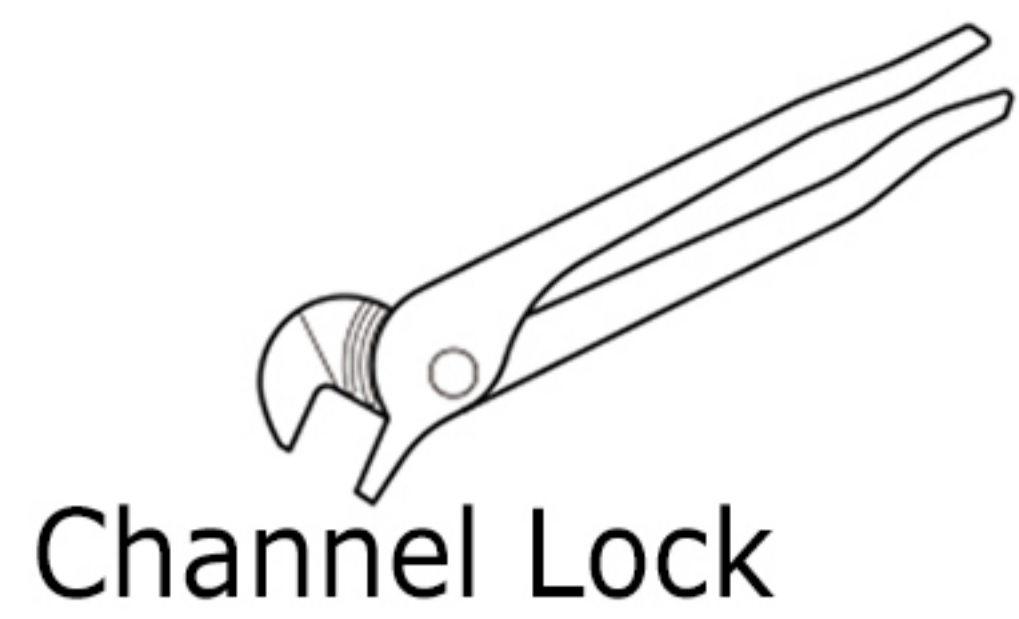


Pop-up Drain Installation

Tools You May Need

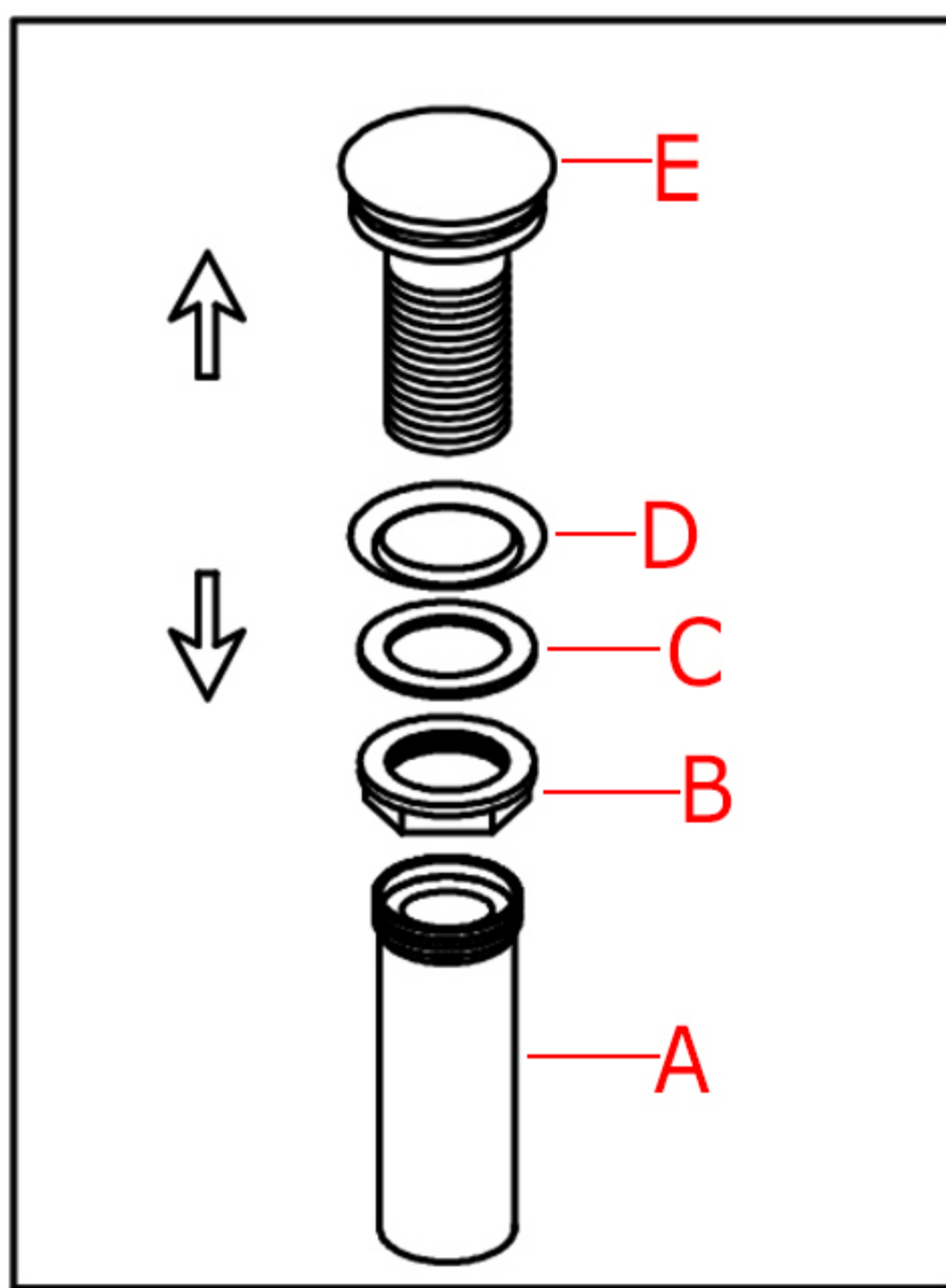


Before the Installation

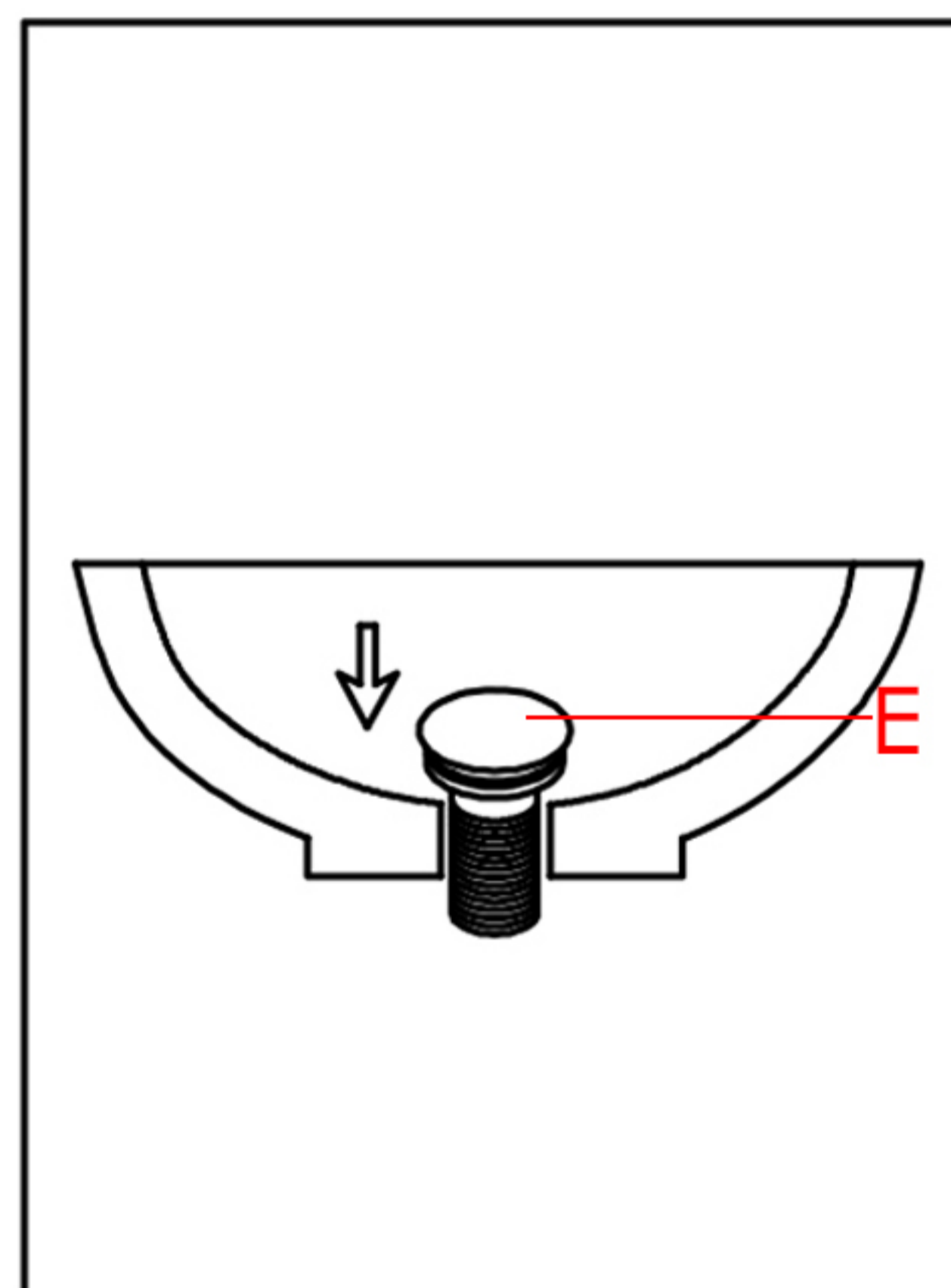
1. Unpack and inspect the drain for damage. Return it to the packaging until installation.
2. This drain is used for sinks without overflow holes. **(Important)**
3. Ensure that you have gathered all of the required materials needed for installation.
4. Install this product according to the installation guide.

Cleaning and Maintenance

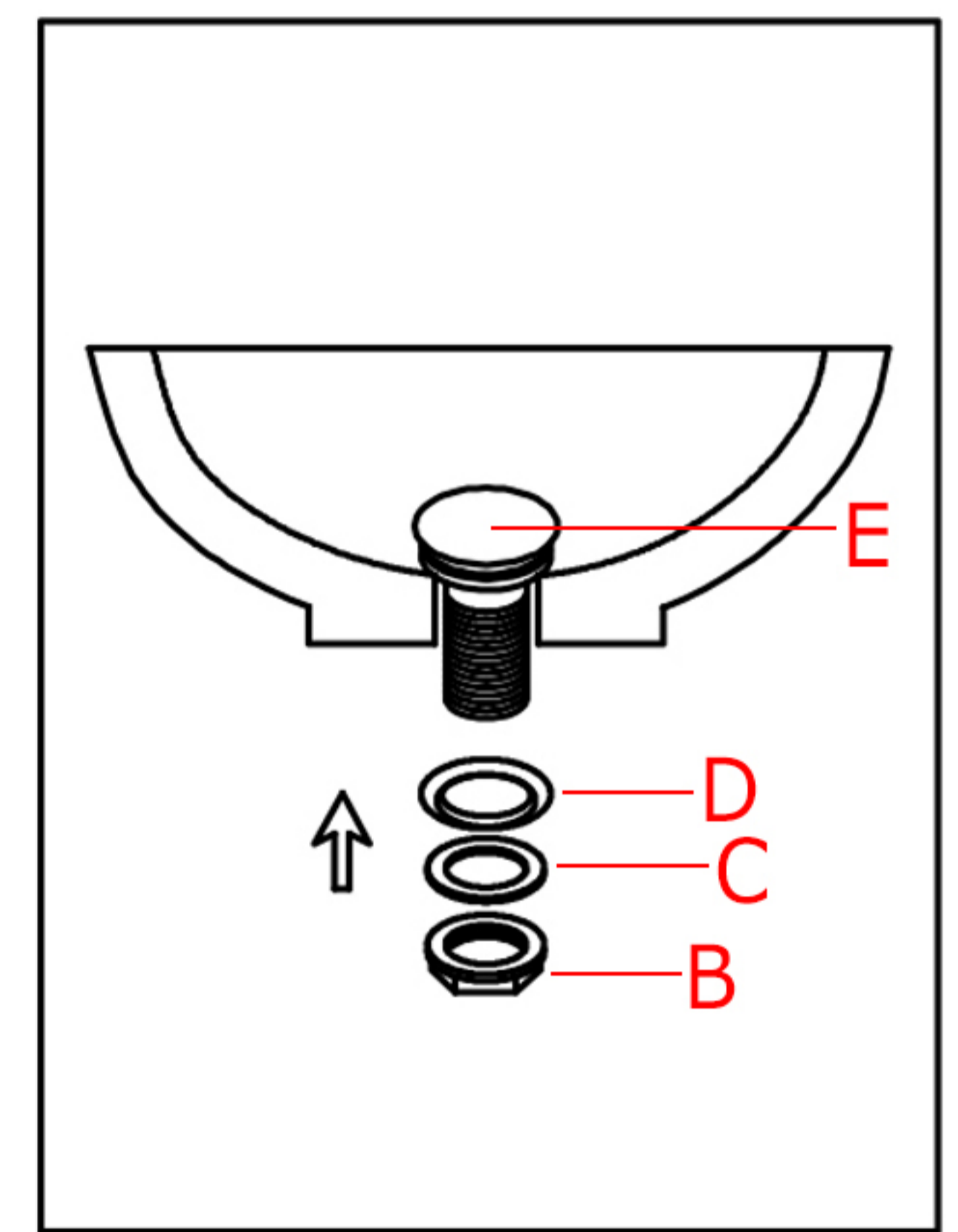
1. Rinse with clean water and dry with a soft cloth.
2. Do not use any detergent, acid, polisher, abrasives, or harsh cleaners.
3. Do not use cloth with a coarse surface.



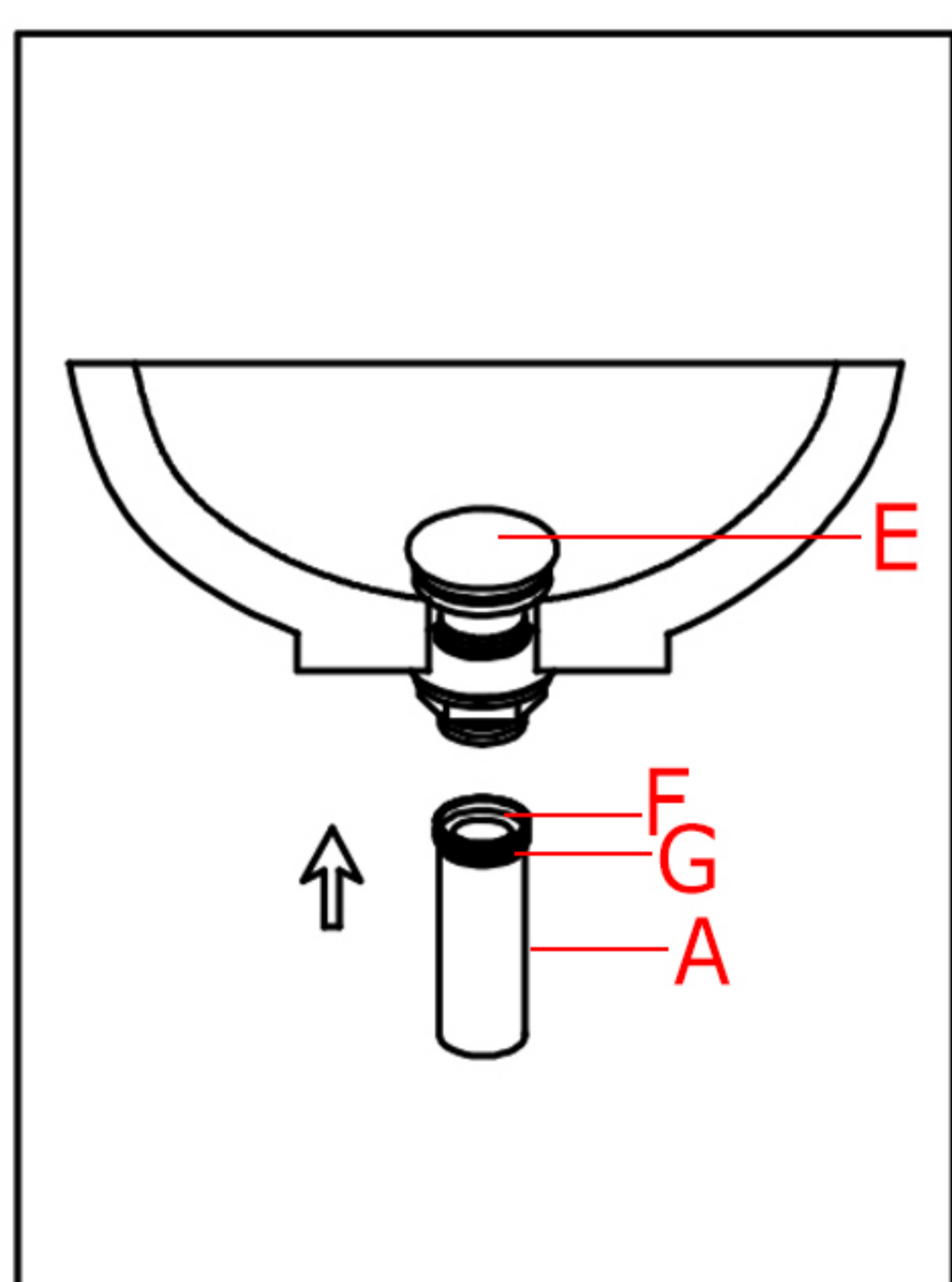
1. Remove tailpipe (A), mounting nut (B) and poly washer (C) and rubber gasket (D) from drain body (E).



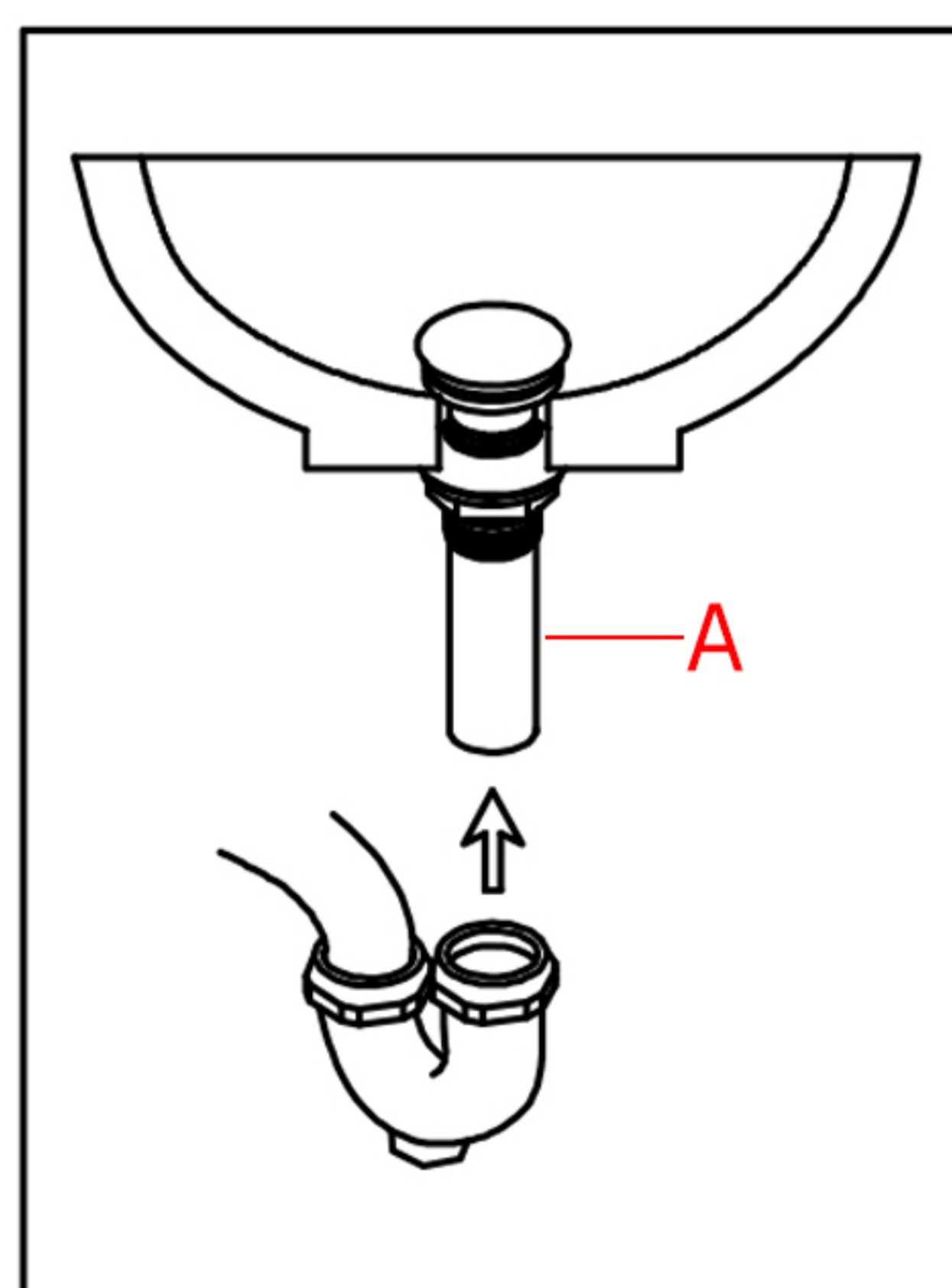
2. Insert the drain body (E) into sink drain opening.



3. Underneath the countertop, install the rubber gasket (D), poly washer (C) and mounting nut (B) onto the drain body (E), then secure with channel lock **(Do not overtighten)**.



4. Attach the tailpipe (A) to the drain body (E), fixing the lock nut (G). **(Important:** Make sure the rubber washer (F) is in place)



5. Connect the trap to the tailpipe (A).