

3-way Thermostatic Shower System

Contents

Before Use

General Guidelines.....	03
Before Installing.....	03

Installation Guide

Assembly Instructions.....	03
Precautions and Maintenance.....	03
Parts List.....	04
Rough-in & Water Pipe Installation Guide.....	05
Installation Steps.....	06

Operation

Trouble Shooting.....	16
-----------------------	----

General Guidelines

1. Check the package and confirm all parts are included. If any part is missing or damaged, please contact us.
2. Do not disassemble the main body, as it has been installed & commissioned correctly & precisely before leaving the factory.
3. Shut off the main water supply prior to beginning installation.
4. Do flush the water supply lines to remove any dirt and debris before installation (**IMPORTANT**).
5. Make sure to connect the hot/cold inlet pipe correctly. If standing in front, connect hot water pipe to the left and cold water pipe to the right.
6. After the installation, check for leaks and make sure every joint is safely sealed.

Before Installing

Read entire shower system installation instructions.

For the following installation instructions for your new shower panel could be assumed that the water supply lines are in place behind the finished wall and are directly accessible for shower installation, please check the installation accordingly.

Assembly Instructions

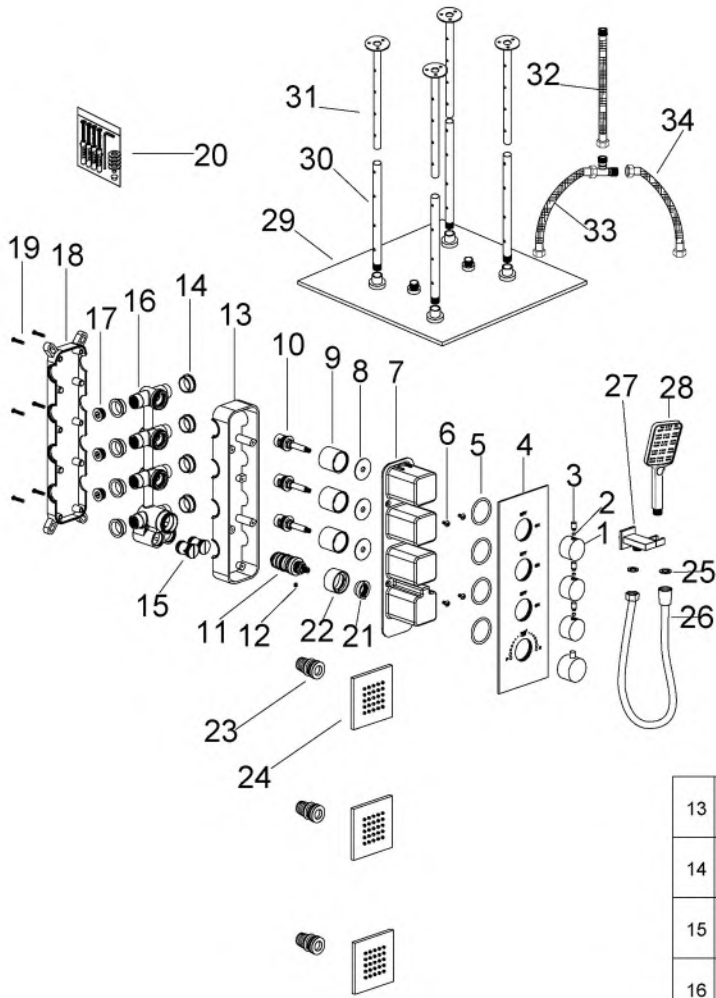
TOOLS YOU MAY NEED



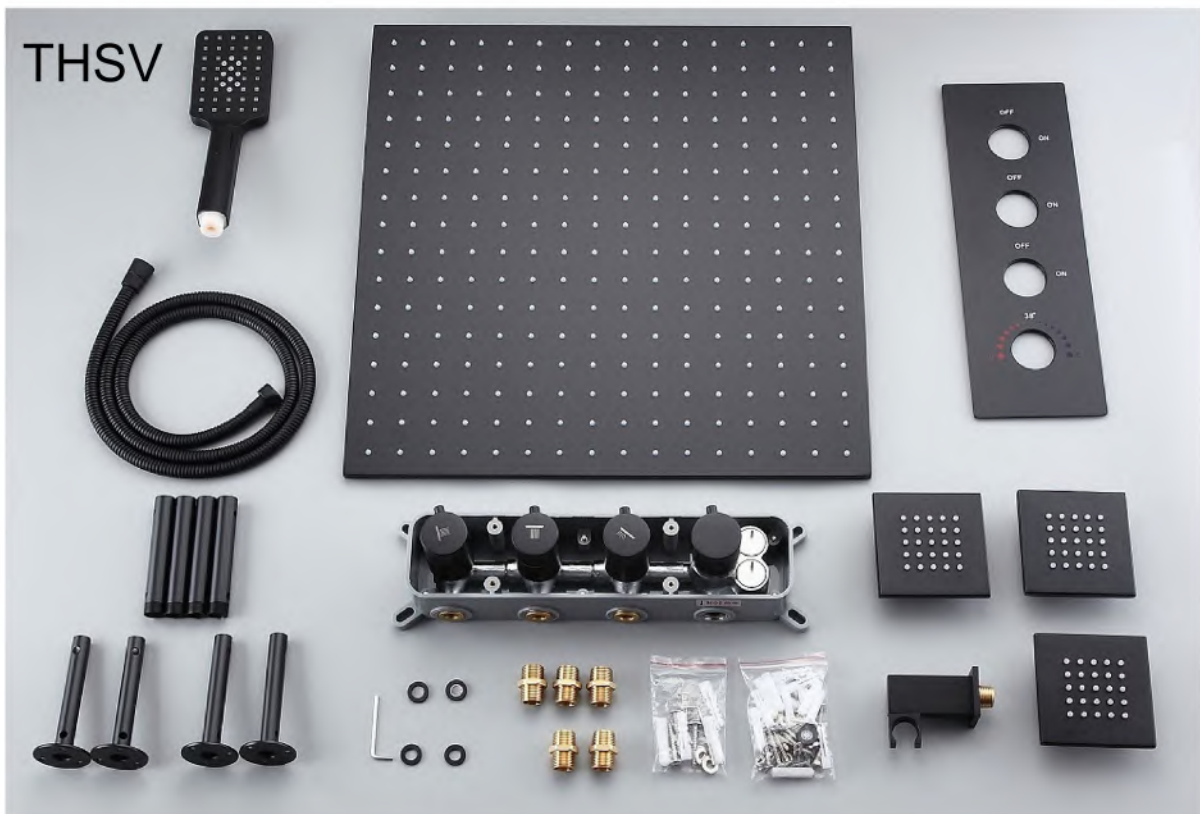
Precautions and Maintenance

1. In order to ensure the durability of the product please be as gentle and slow as possible during operation.
2. Clean the filter regularly.
3. When the shower is used for a long time and water is found to flow out intermittently there must be debris blocking the water outlet. At this time, you only need to gently touch & clean the soft rubber tips liquid or transparent glass detergent then rinse it with soft water, then gently wipe it with a dry soft cloth.
5. Do not use any scrubbing detergent, polisher, sand-cloth, paper tissue or scraper.
6. Do not use acid detergent, insoluble & grain-like detergent or soap.
7. If you will not use the shower for a long time please close the main water inlet valve in your home.
8. When the ambient temperature is under 0C/32°F, please take necessary measures to keep the water equipment warm.

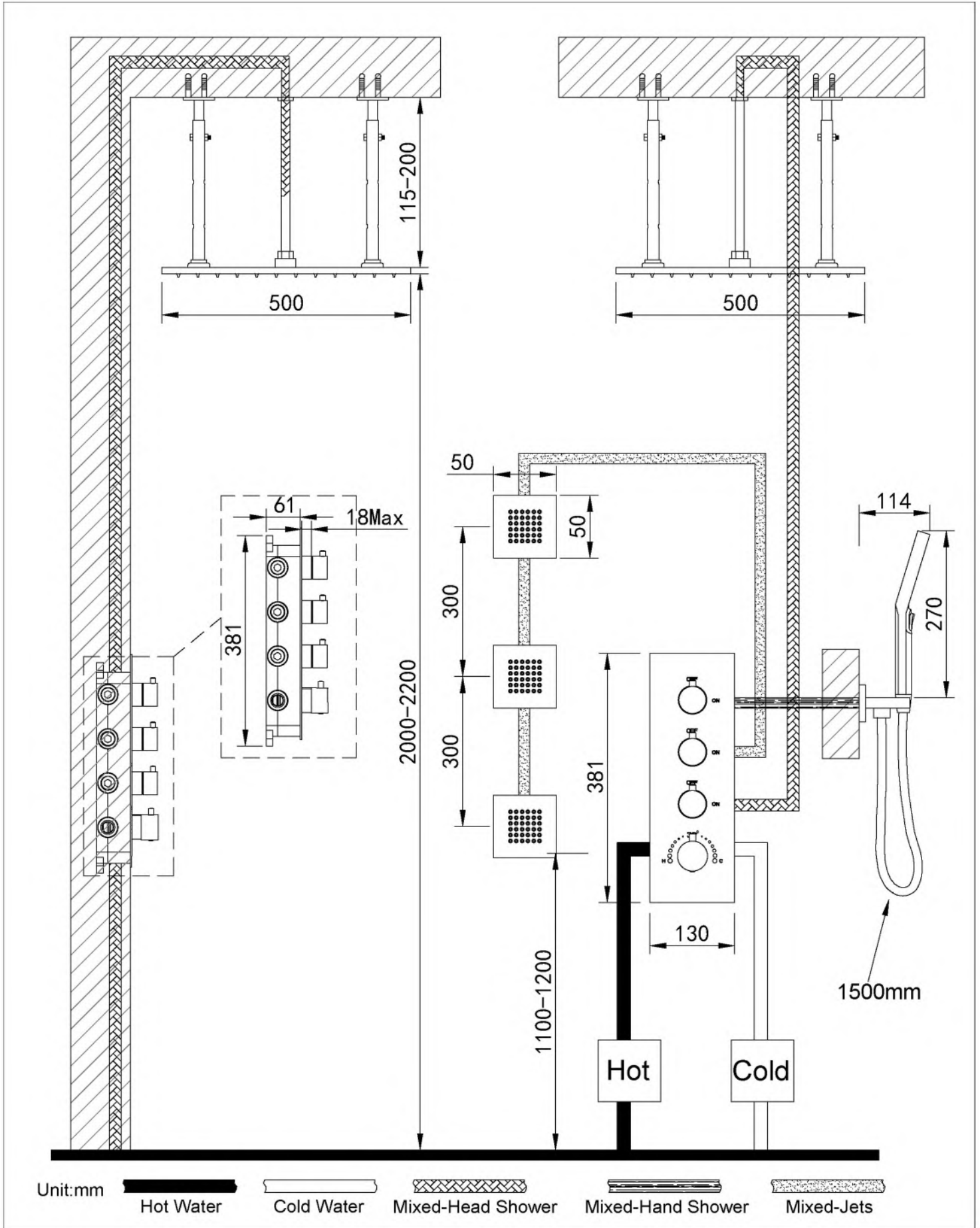
Parts List



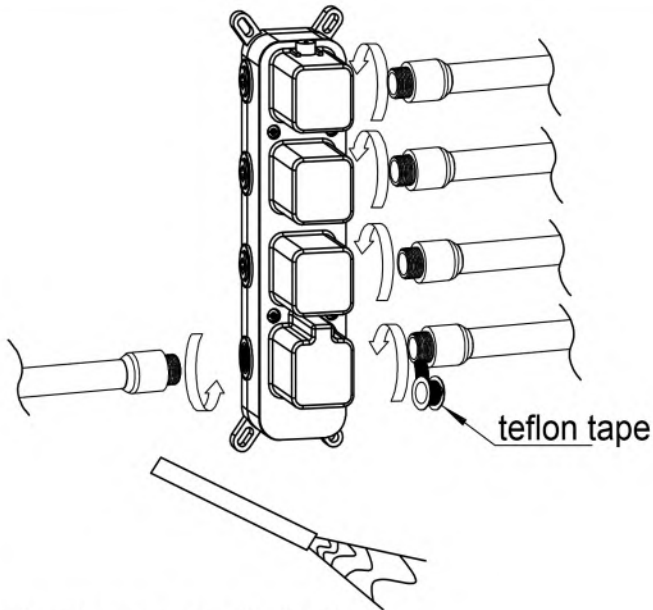
Part	Picture	Quantity	Part	Picture	Quantity
1		4	21		1
2		4	22		1
3		4	23		3
4		1	24		3
5		4	25		2
6		4	26		1
7		1	27		1
8		3	28		1
9		3	29		1
10		3	30		4
11		1	31		4
12		1	32		1
13		1	17		3
14		8	18		1
15		2	19		4
16		1	20		1
			33		1
			34		1
			35		4
			36		12



Rough-in & Water Pipe Installation Guide

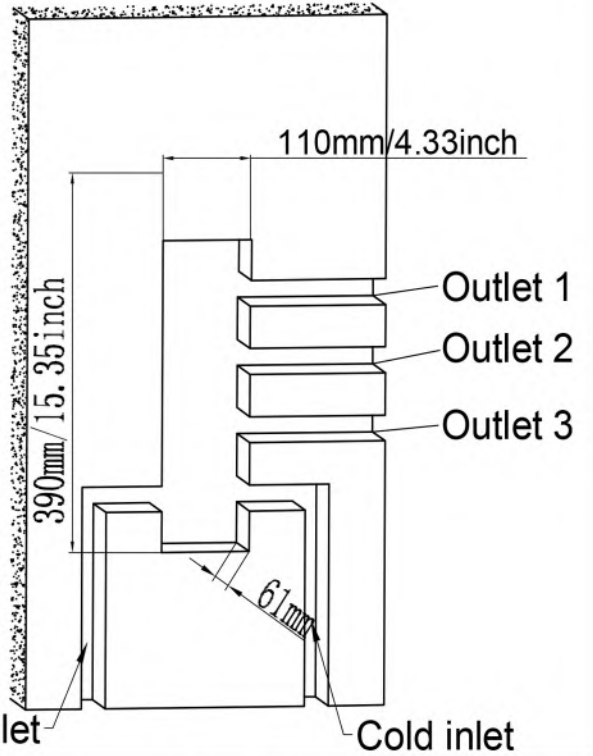


Installation Steps



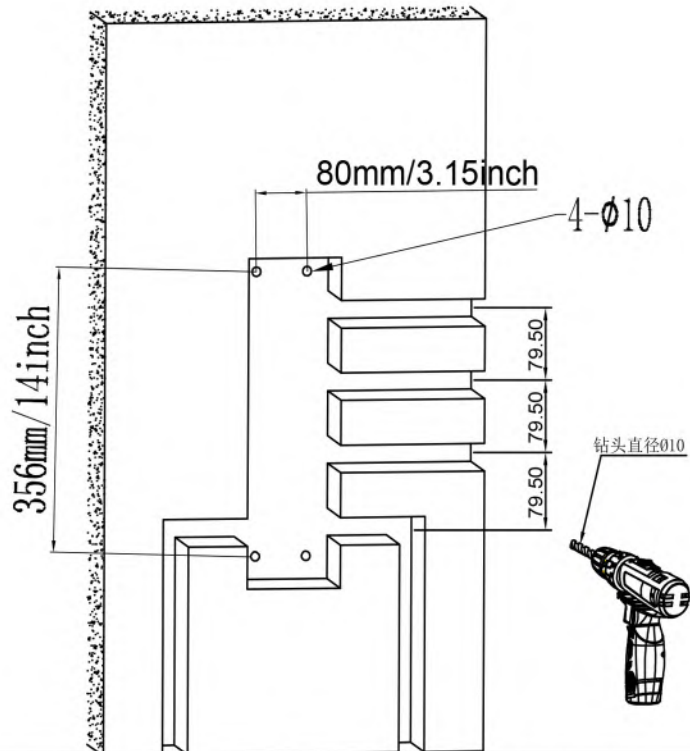
Note: Please flush all pipelines to ensure that there is no debris such as downstream sand and gravel before connecting the shower.

1. Wrap hot & cold supply water pipes (not provided) and other water outlet pipes (not provided) with teflon tape and screw tight by locking plier to ensure watertight seal.

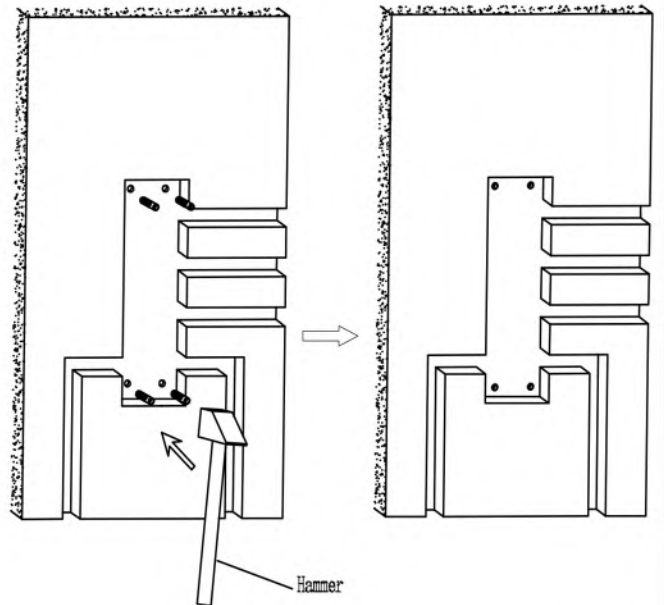


Hot inlet Cold inlet

2. Turn off the water supply. Determine pipe length and depth. Set up the waterlines properly based on the actual condition. The above diagram for plumber reference (Must pay attention-left is hot, right is cold.)

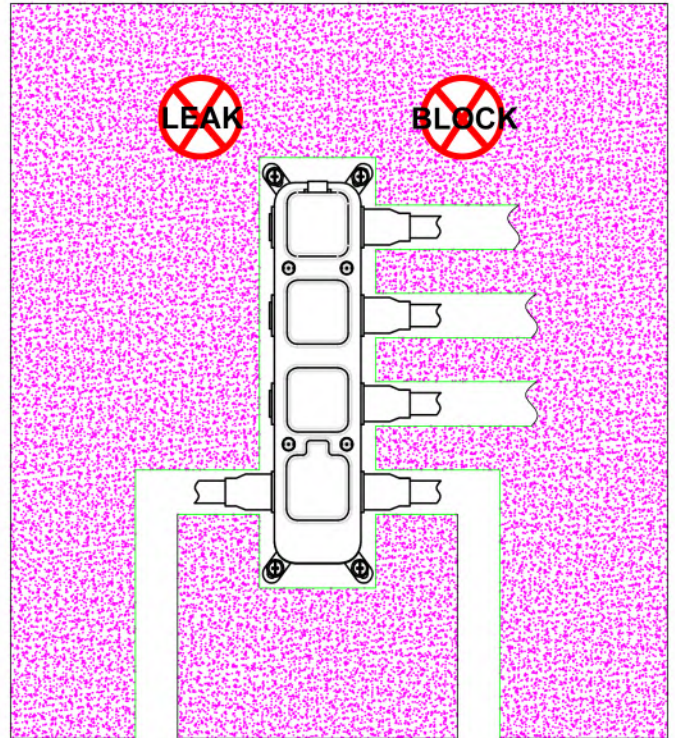
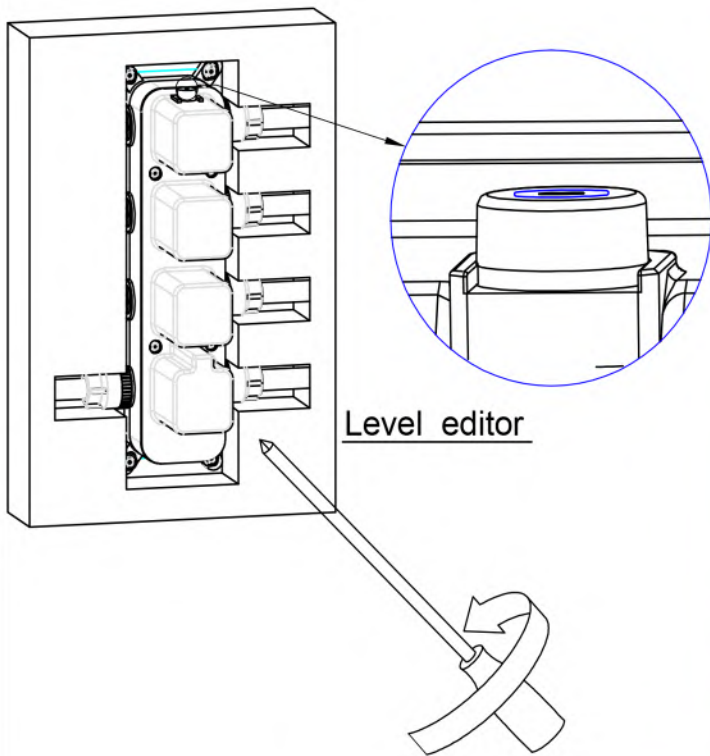


3. Drill 4 positioning holes for the valve body. The Above diagram for your reference



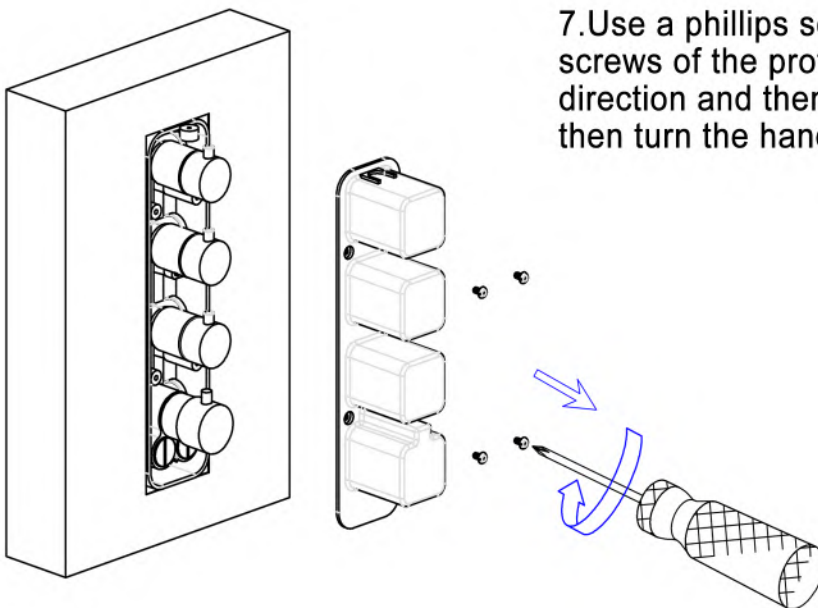
4. Hammer the 4 expansion screws into the holes

Installation Steps

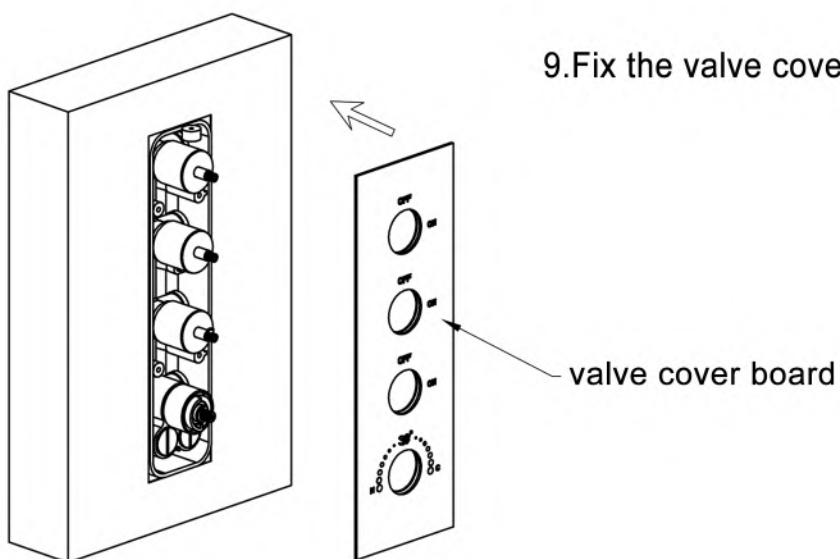
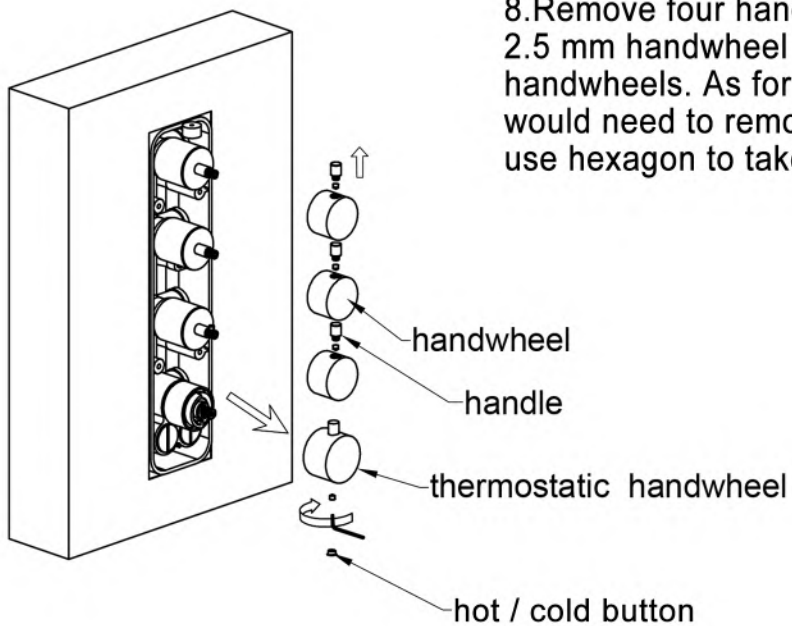


5. Adjust the embedded body (have connected all pipes) on the horizon line, and then screw expansion bolts into fixed male screws to fix the embedded body.

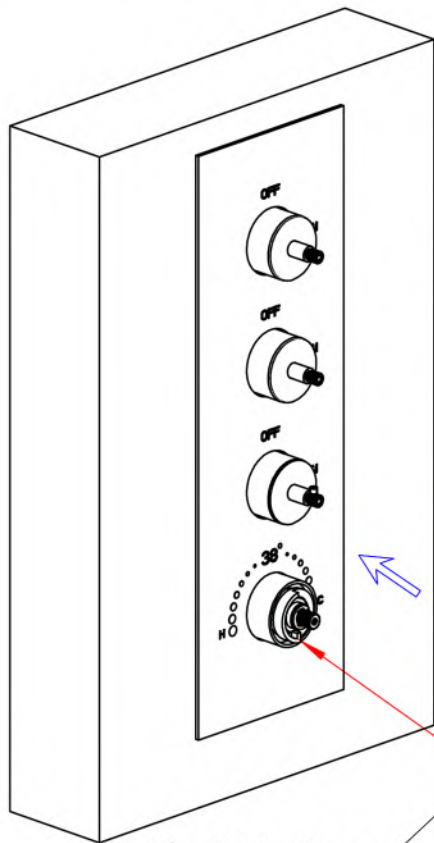
6. Connect the hot/cold inlets and outlets properly. Open the water supply to check and test, ensure there is no leak or blockage at each connection. At last, seal the wall.



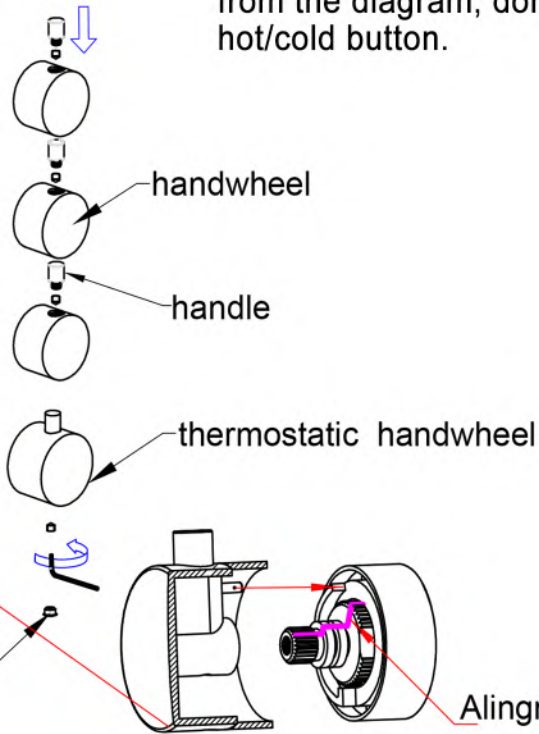
Installation Steps



Installation Steps



10. Install the handwheels and the hot and cold water handle according to the direction shown from the diagram, don't forget to put back the hot/cold button.



Hot/cold button

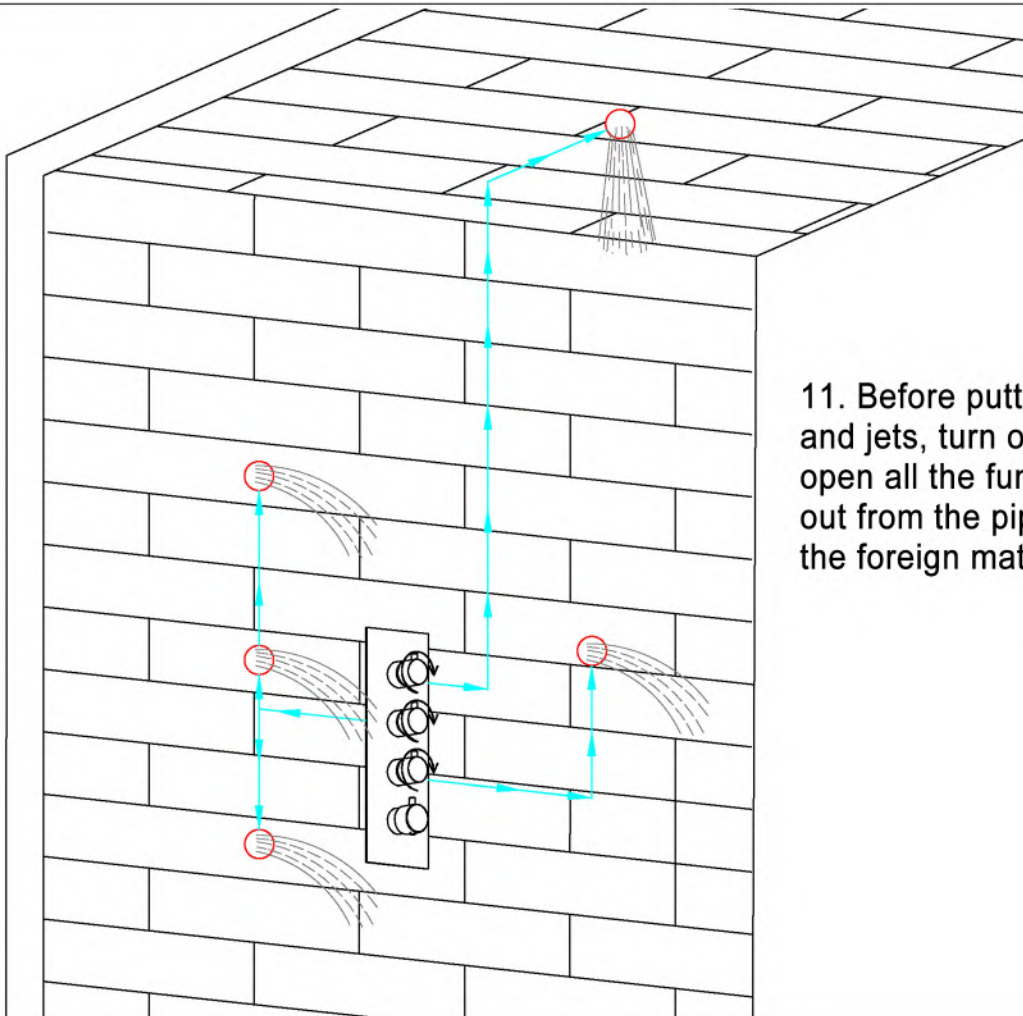
handwheel

handle

thermostatic handwheel

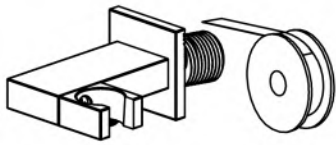
Alignment mark line

Amplification

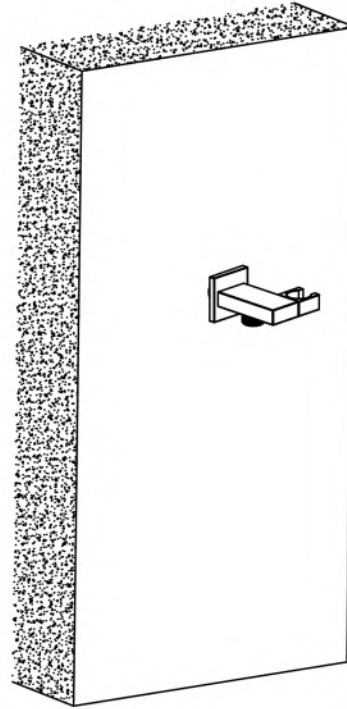


11. Before putting on the shower heads and jets, turn on the water supply and open all the function, let the water flush out from the pipes in order to flush out the foreign matter inside the water pipe.

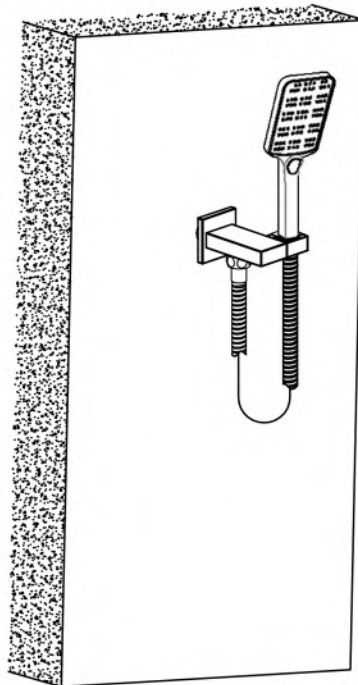
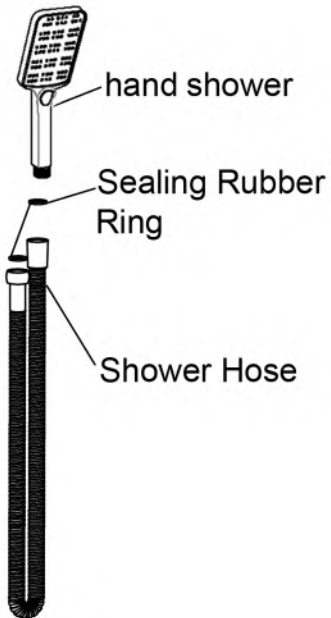
Installation Steps



1. Wrap the teflon tape around the connector

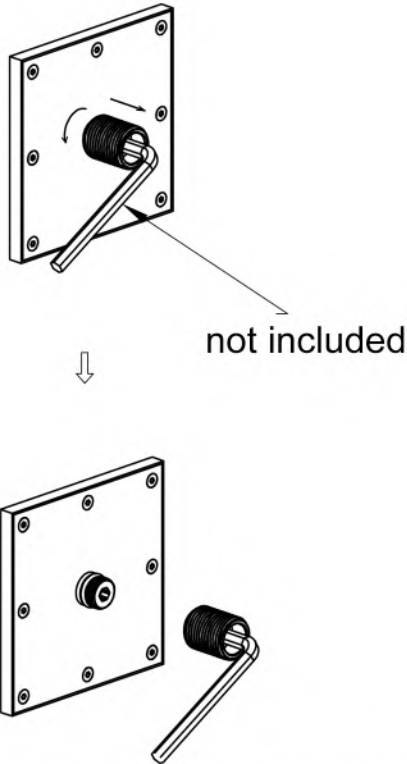


2. Install the shower holder on the water inlet and tighten it clockwise.

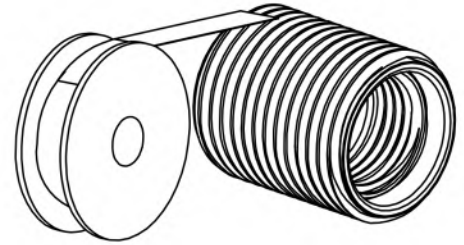


3. Connect the Hand shower, Shower Hose and the Shower Holder

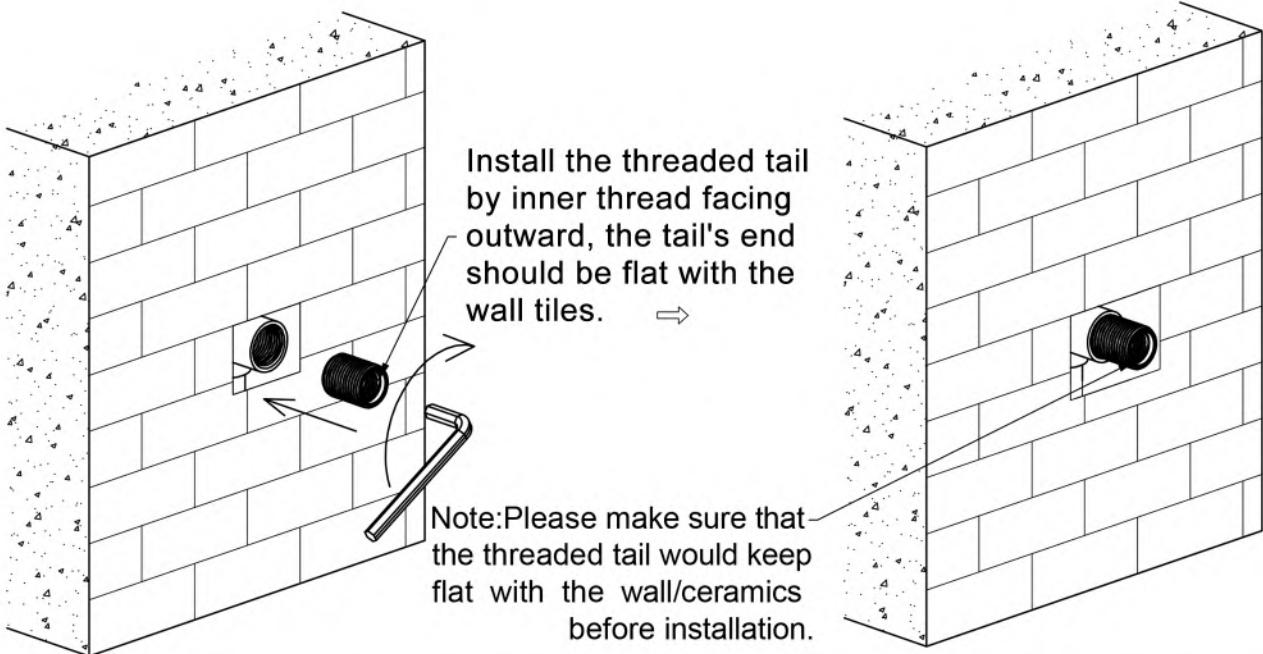
Installation Steps



1. Remove the 1/2 threaded tail at counter-clockwise by hand or with wrench(not included).

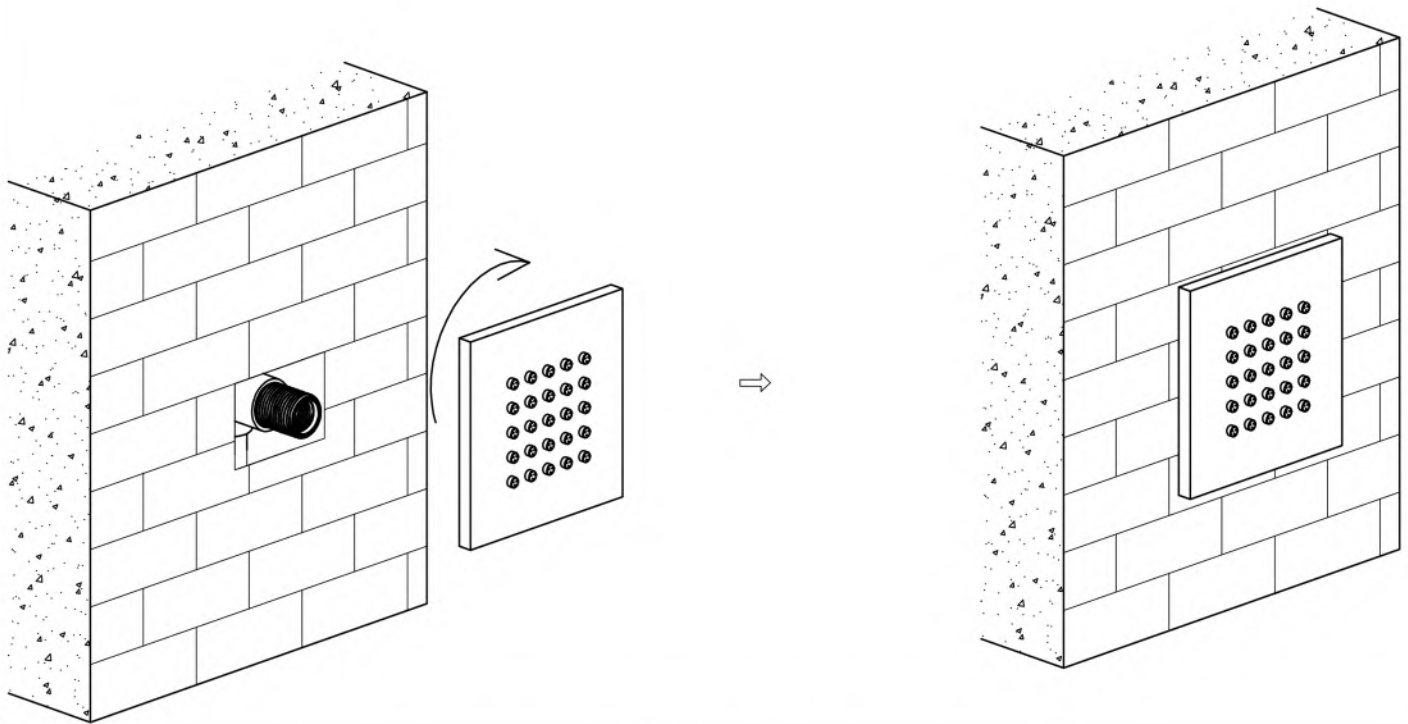


2. Wrap teflon tape to threaded tail of the body jet to ensure it could be well sealed with the water pipes.

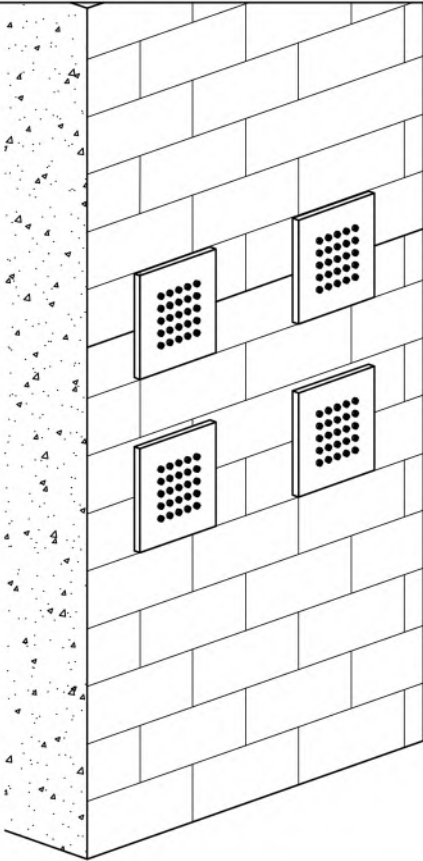


3. Use a wrench to rotate clockwise to install the 1/2 threaded tail on the wall side jets joint(Note: one end with inner thread facing outward)

Installation Steps

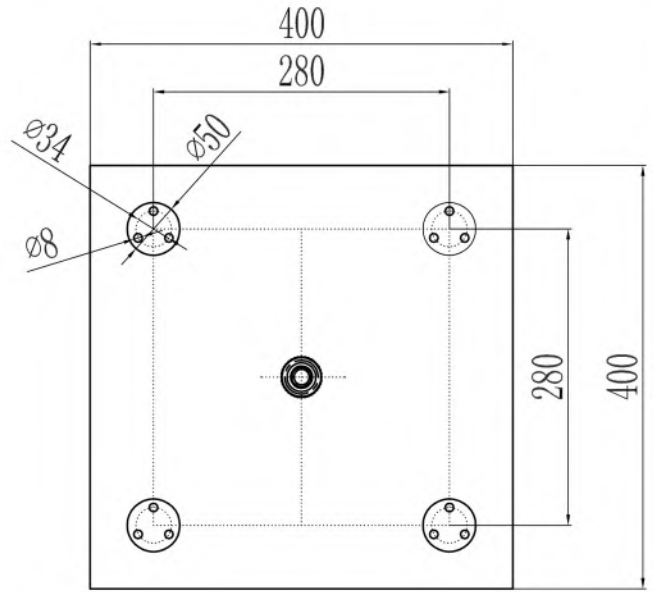
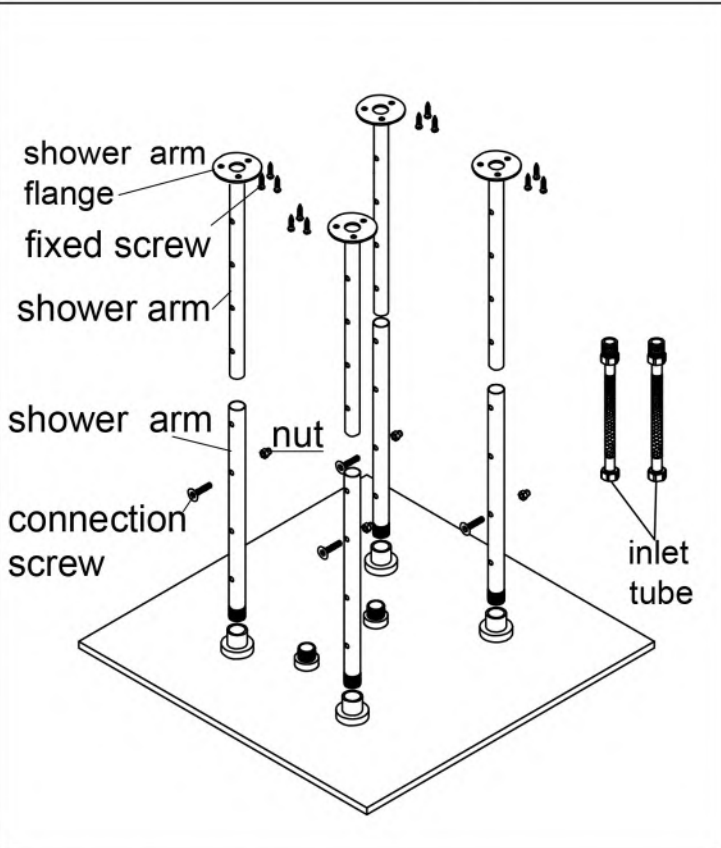


4. Tighten body jet onto the threaded tail at clockwise .



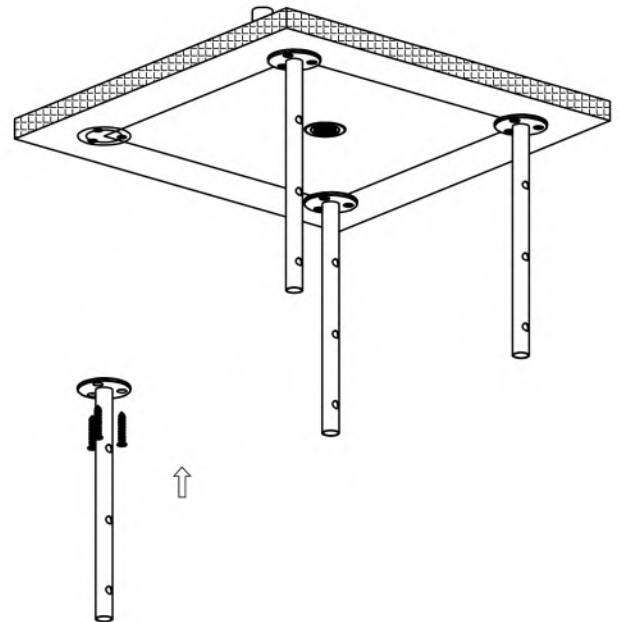
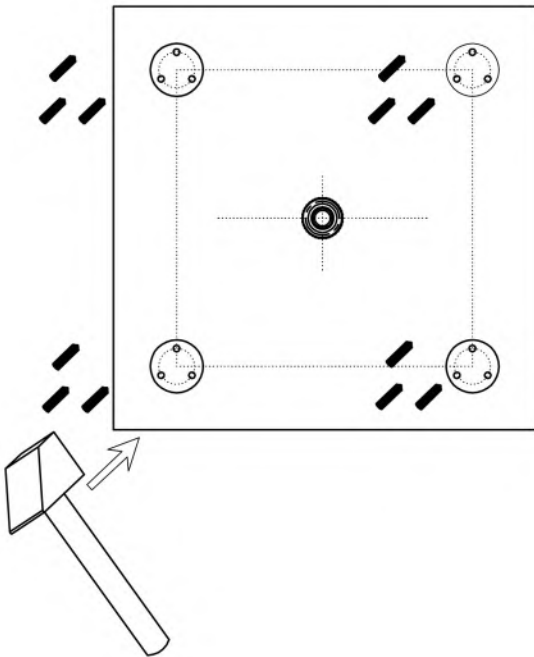
5. Install the other body jets according to the previous steps.

Installation Steps



1. Accessory list

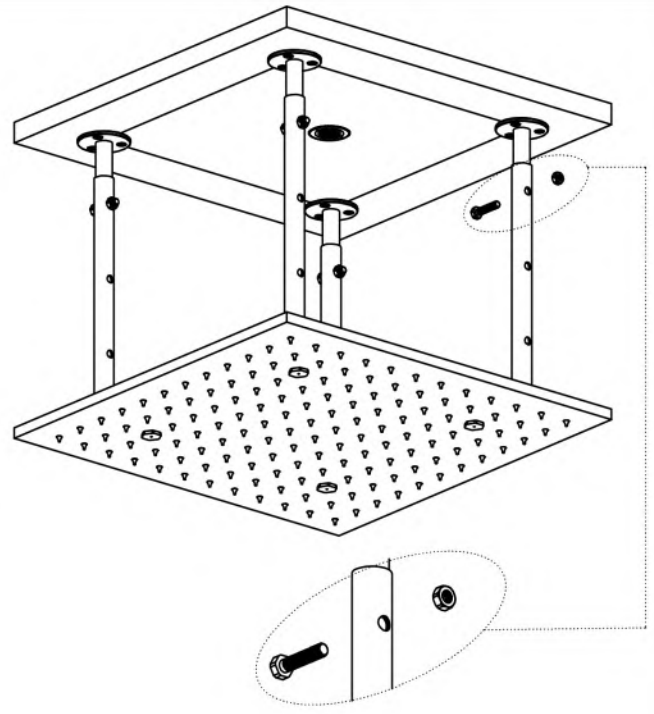
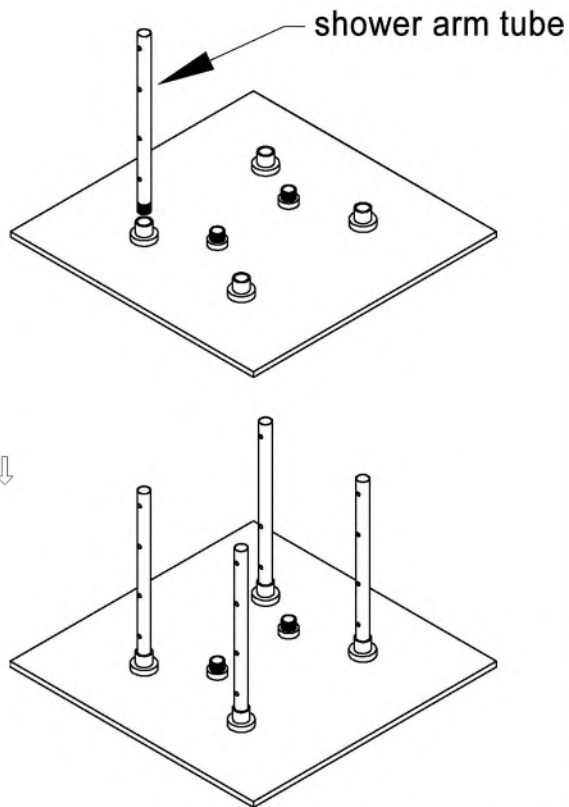
2. Mark the positioning holes on the ceiling around the head shower water outlet according to the diagram.



3. Hammer the expanded screws in the 12 drilled holes

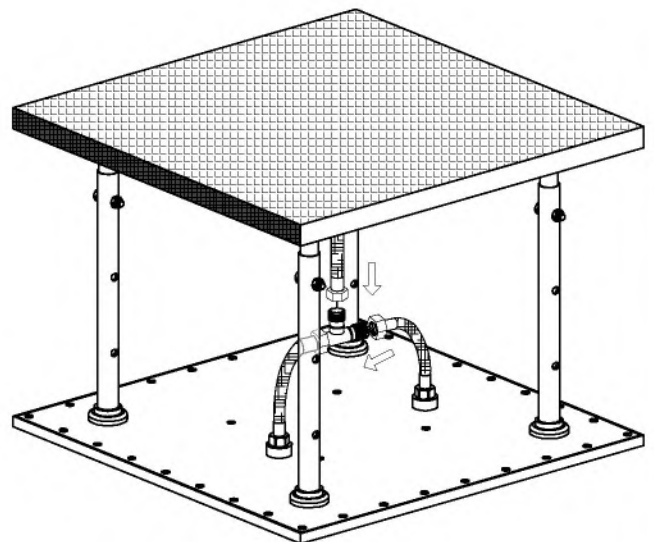
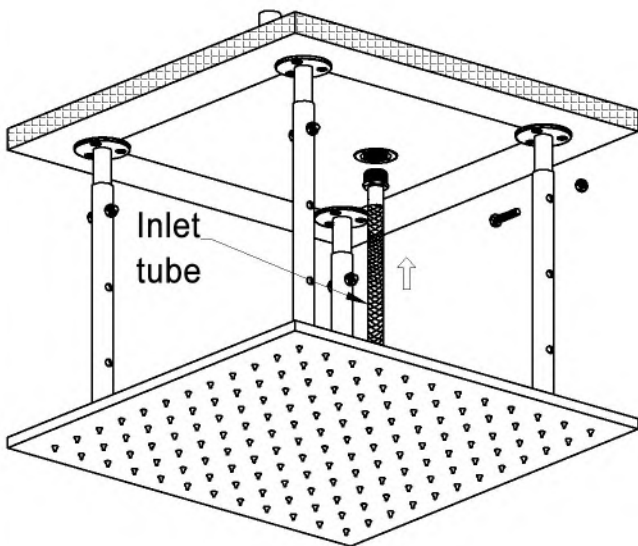
4. Fix the shower arms to the ceiling with expand screws

Installation Steps



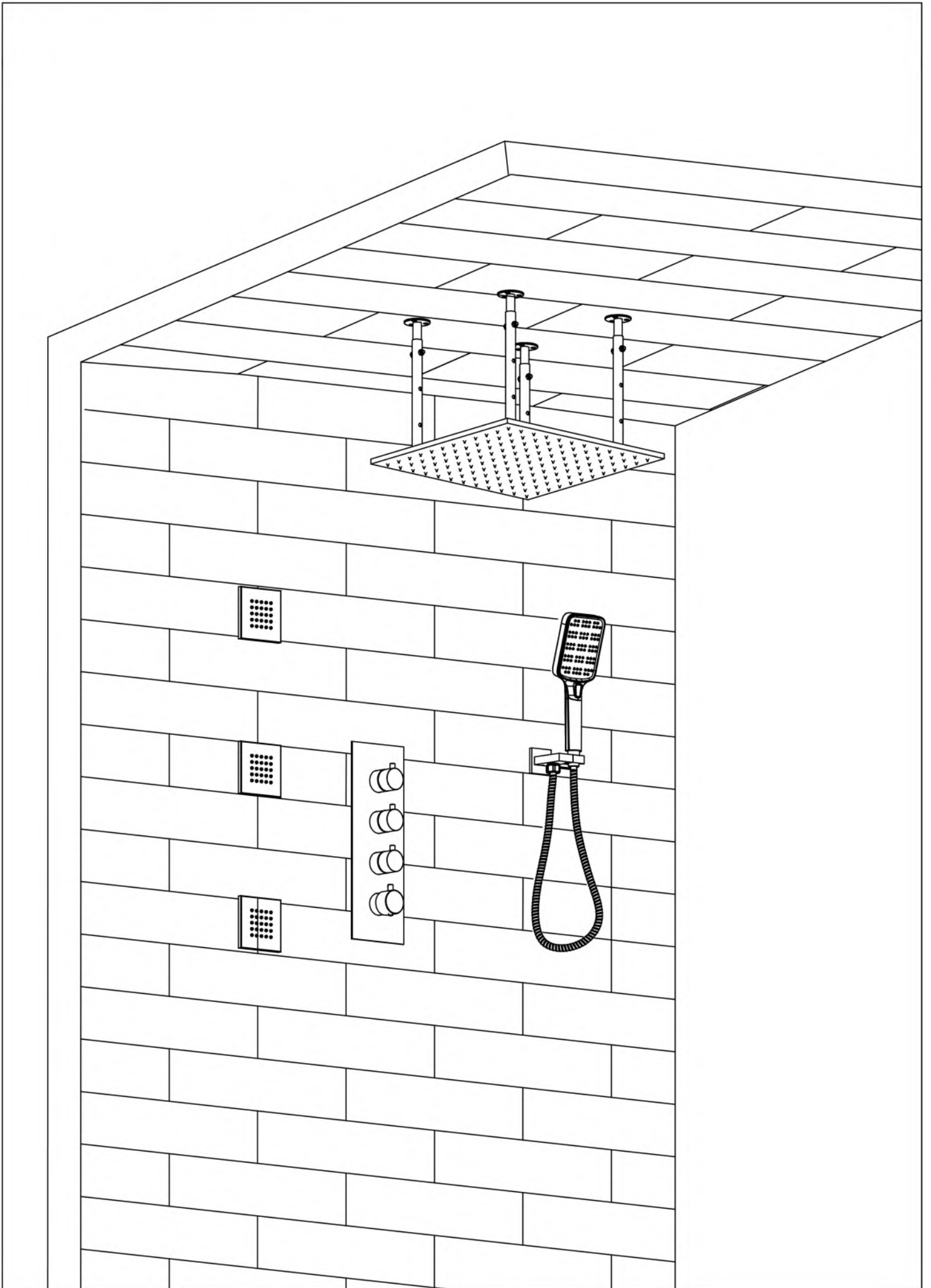
5. Connect the shower arm tube with the head shower

6. Sleeve the tubes according to the position, fix them with screws and nuts



7. Connect the water tube as shown in the diagram

Installation Steps



Troubleshooting

Problem	Possible Cause	Corrective Action
Water does not shut off completely.	<ol style="list-style-type: none"> 1. O-ring is not seated correctly or worn. 2. Cartridge may be defective. 	<ol style="list-style-type: none"> 1. Reseat or replace O-ring. 2. Replace cartridge.
Leaks at waterline connection.	<ol style="list-style-type: none"> 1. Worn or broken washer. 2. Faucet body may be defective. 	<ol style="list-style-type: none"> 1. Replace washer. 2. Replace faucet (contact us for the replacement).
Leaks from handle.	<ol style="list-style-type: none"> 1. Cartridge may come loose. 2. Cartridge may be defective. 	<ol style="list-style-type: none"> 1. Reseat cartridge tight. 2. Replace cartridge.
Leaks at hose connection.	<ol style="list-style-type: none"> 1. Hose connection is loose. 	<ol style="list-style-type: none"> 1. Tighten hose. 2. Replace hose.
Leaks at shower valve connection.	<ol style="list-style-type: none"> 1. Connection may come loose or not sealed completely. 2. Defective shower valve inlet or outlet connector. 	<ol style="list-style-type: none"> 1. Check connections. 2. Replace valve body.
Diverter knob does not work.	<ol style="list-style-type: none"> 1. Diverter cartridge may be defective. 	<ol style="list-style-type: none"> 1. Replace cartridge.
LED light does not Light or noisy LED showerhead.	<ol style="list-style-type: none"> 1. Defective LED generator. 	<ol style="list-style-type: none"> 1. Replace LED spray head (for kitchen faucet). 2. Replace LED threaded pipe (for seperate faucet spout). 3. Replace LED generator (for others).
Low flow.	<ol style="list-style-type: none"> 1. Check for water pressure problems. 2. Aerator may be dirty or clogged. 	<ol style="list-style-type: none"> 1. Clean or replace the aerator. 2. Remove waterflow restrictor if available. 3. Install booster or pump (if applicable).