

# Shower System

# Contents

## Before Use

General Guidelines..... 03  
Before Installing..... 03

## Installation Guide

Assembly Instructions..... 03  
Precautions and Maintenance..... 03  
Parts List..... 04  
Installation Steps..... 05

## Operation

Trouble Shooting..... 08

## General Guidelines

1. Check the package and confirm all parts are included. If any part is missing or damaged, please contact us.
2. Do not disassemble the main body, as it has been installed & commissioned correctly & precisely before leaving the factory.
3. Shut off the main water supply prior to beginning installation.
4. Do flush the water supply lines to remove any dirt and debris before installation (**IMPORTANT**).
5. Make sure to connect the hot/cold inlet pipe correctly. If standing in front, connect hot water pipe to the left and cold water pipe to the right.
6. After the installation, check for leaks and make sure every joint is safely sealed.

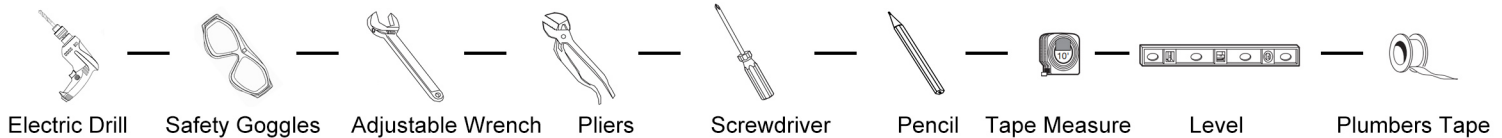
## Before Installing

Read entire shower system installation instructions.

For the following installation instructions for your new shower panel could be assumed that the water supply lines are in place behind the finished wall and are directly accessible for shower installation, please check the installation accordingly.

## Assembly Instructions

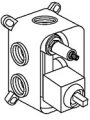
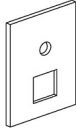




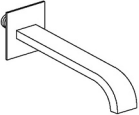
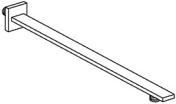
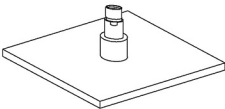
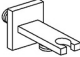






### TOOLS YOU MAY NEED

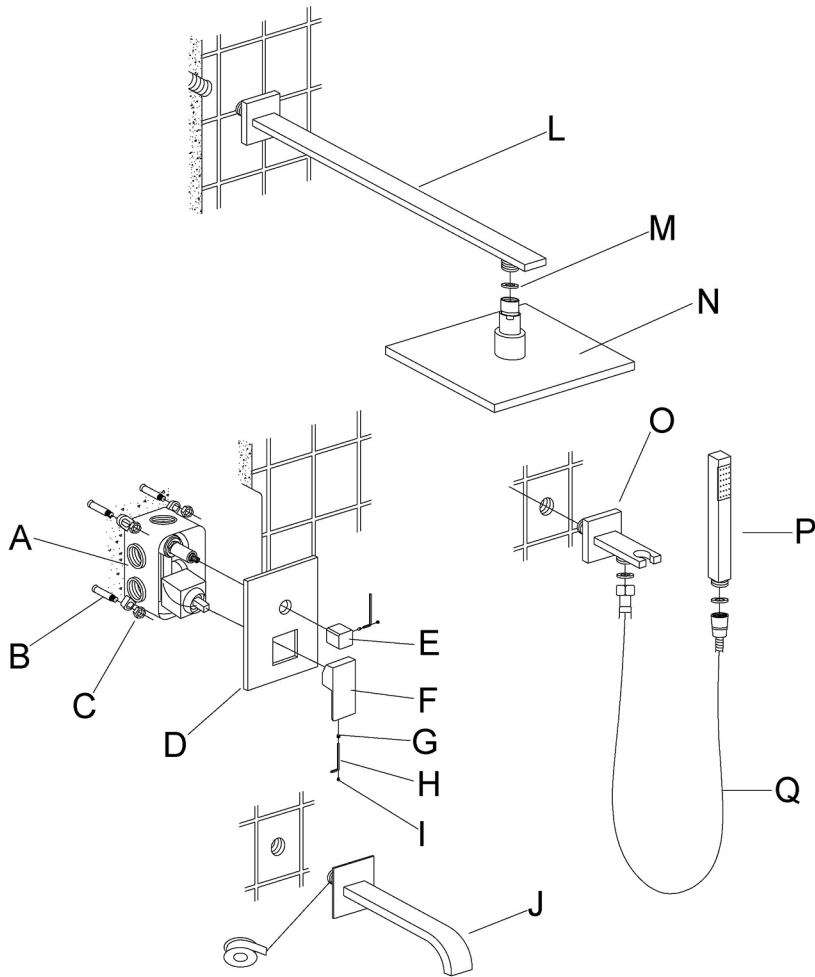


## Precautions and Maintenance

1. In order to ensure the durability of the product please be as gentle and slow as possible during operation.
2. Clean the filter regularly.
3. When the shower is used for a long time and water is found to flow out intermittently there must be debris blocking the water outlet. At this time, you only need to gently touch & clean the soft rubber tips liquid or transparent glass detergent then rinse it with soft water, then gently wipe it with a dry soft cloth.
5. Do not use any scrubbing detergent, polisher, sand-cloth, paper tissue or scraper.
6. Do not use acid detergent, insoluble & grain-likedetergent or soap.
7. If you will not use the shower for a long time please close the main water inlet valve in your home.
8. When the ambient temperature is under 0C/32°F, please take necessary measures to keep the water equipment warm.

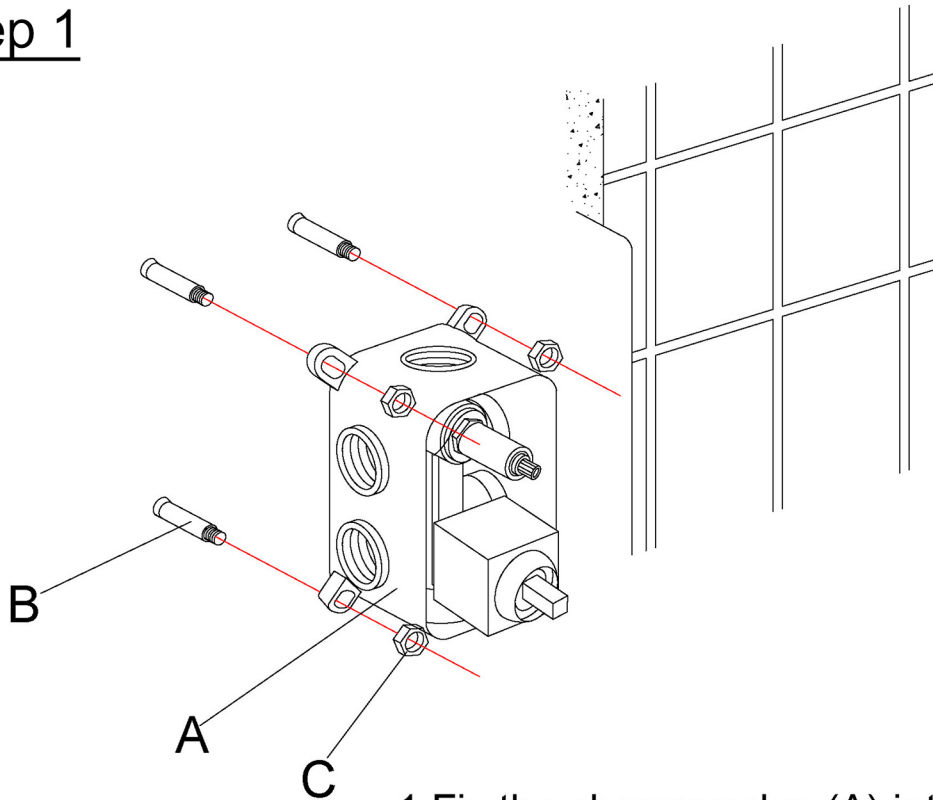
# Parts List

Ax1	Dx1	Ex1	Fx1	Px1	Bx4
					
Jx1	Lx1	Nx1	Ox1	Qx1	Cx4
					
Mx3	Gx2	Hx1	Ix2		
					



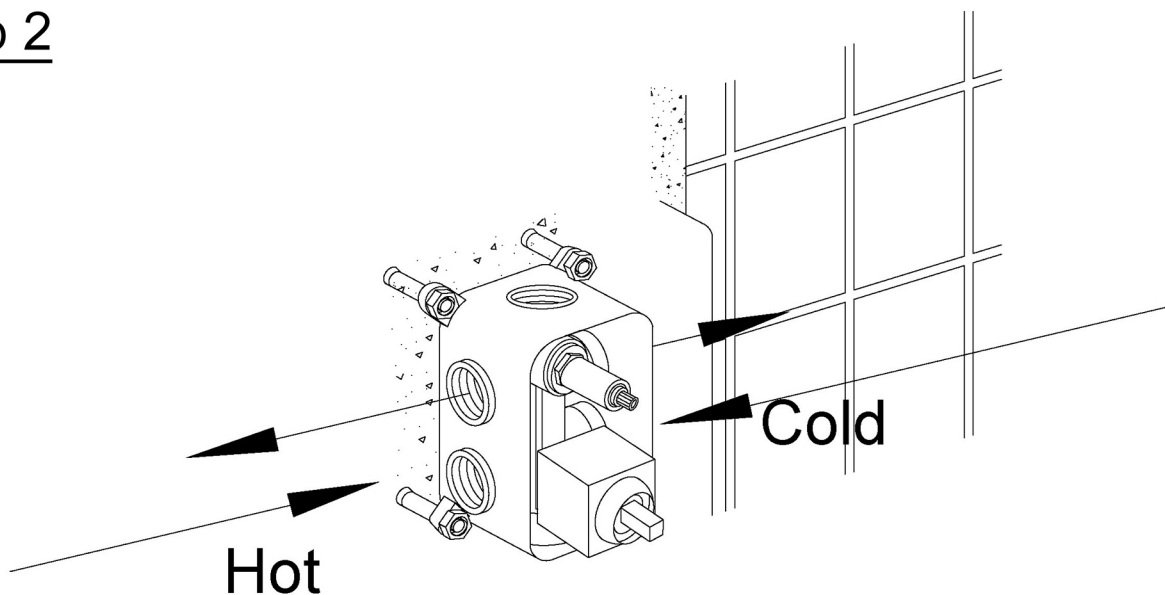
## Installation Steps

### Step 1



1. Fix the shower valve (A) into the wall with anchors (B) and nuts (C). Use a level to ensure that the valve is straight and level.

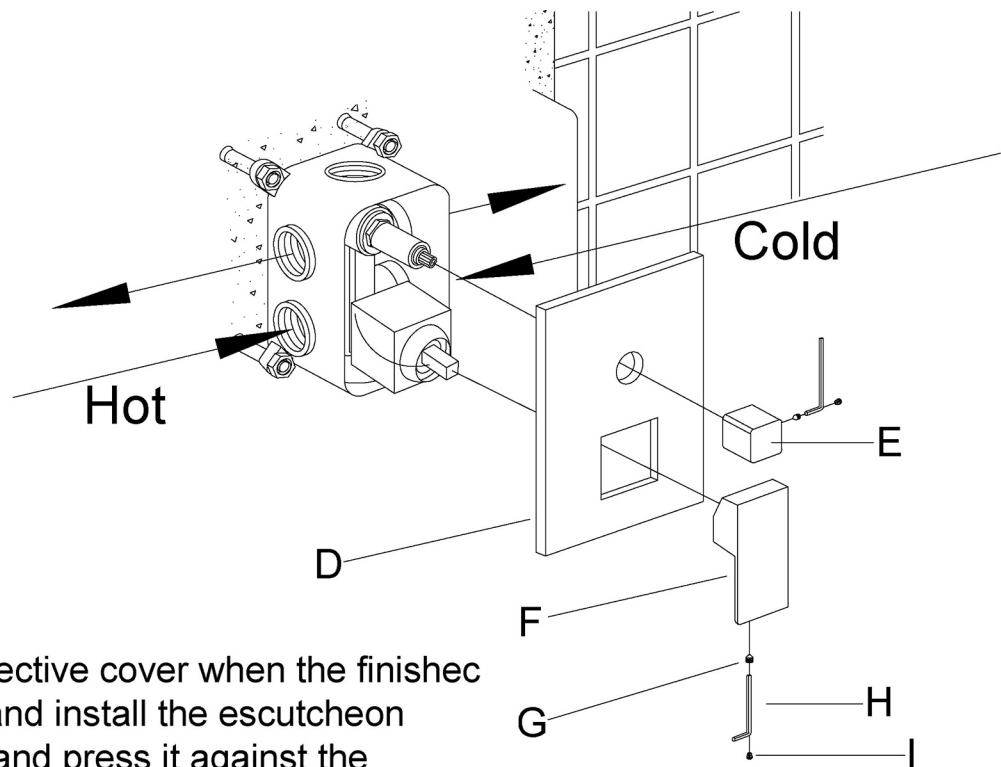
### Step 2



2. Wrap Teflon tape around the pipe threads. Connect hot and cold water supply lines and in-wall pipes (not included) as desired to the valve. Turn on the water supply and open the cartridge to check for leaks. Then put on the protective cover.

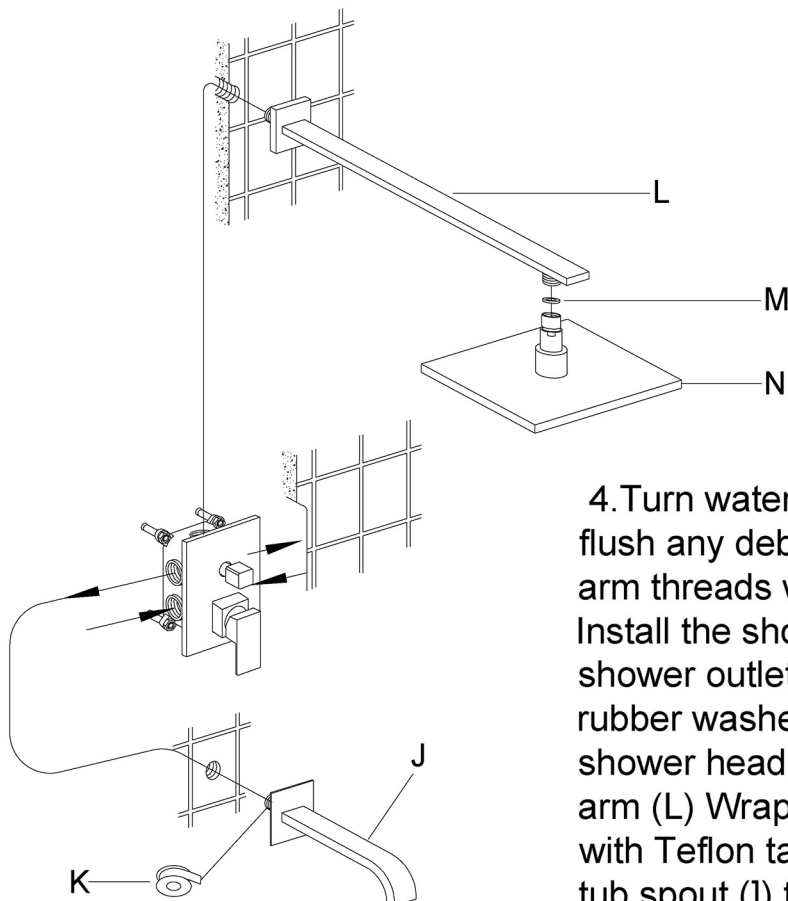
## Installation Steps

### Step 3



3. Remove the protective cover when the finished wall is completed and install the escutcheon (D) onto the valve and press it against the finished wall. Then install the handle (F) and diverter knob (E), tighten set screws (G) with Allen key (H) and put on the indication buttons (I).

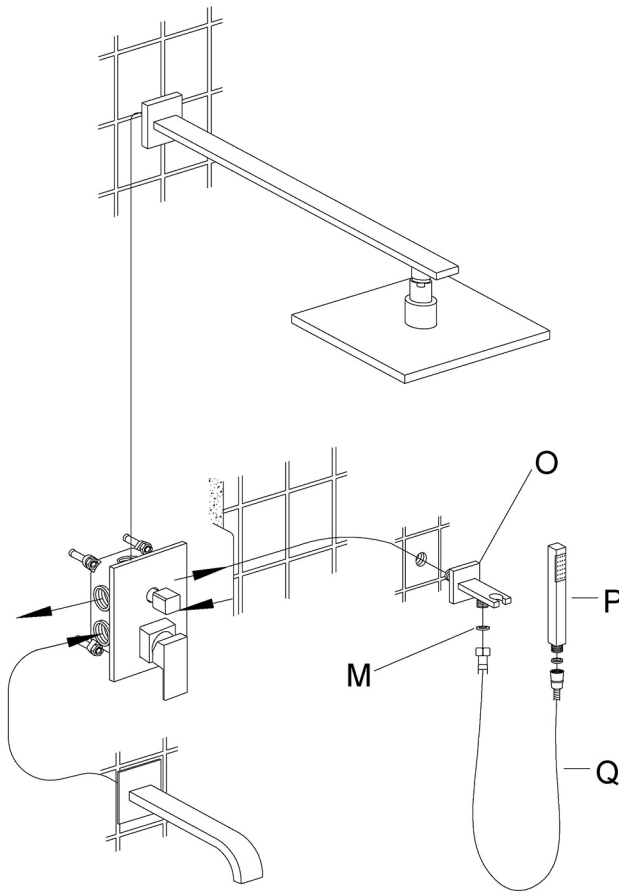
### Step 4



4. Turn water on for 1 minute to flush any debris. Wrap shower arm threads with Teflon tape (K). Install the shower arm (L) into the shower outlet. Then add the rubber washer (M) and attach shower head (N) to the shower arm (L). Wrap tub spout threads with Teflon tape (K) and install tub spout (J) to the spout outlet.

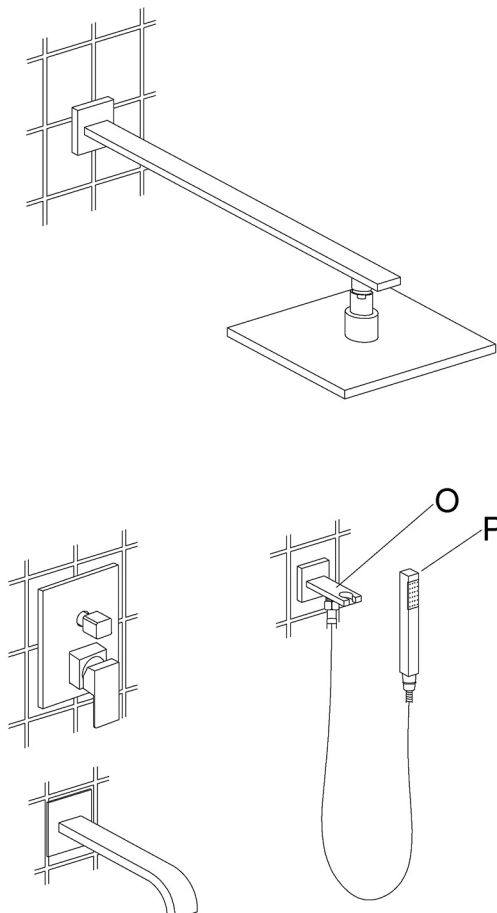
# Installation Steps

## Step 5



5. Wrap the threaded end of the supply elbow holder (O) with Teflon tape and install the supply elbow holder (O) into the hand shower outlet. Add rubber washer (M) at both ends of the shower hose (Q). Connect shower hose (Q) to the supply elbow holder (O) and the hand shower (P).

## Step 6



6. Place the hand shower (P) into the supply elbow holder (O).

# Troubleshooting

<b>Problem</b>	<b>Possible Cause</b>	<b>Corrective Action</b>
Water does not shut off completely.	<ol style="list-style-type: none"> <li>1. O-ring is not seated correctly or worn.</li> <li>2. Cartridge may be defective.</li> </ol>	<ol style="list-style-type: none"> <li>1. Reseat or replace O-ring.</li> <li>2. Replace cartridge.</li> </ol>
Leaks at waterline connection.	<ol style="list-style-type: none"> <li>1. Worn or broken washer.</li> <li>2. Faucet body may be defective.</li> </ol>	<ol style="list-style-type: none"> <li>1. Replace washer.</li> <li>2. Replace faucet (contact us for the replacement).</li> </ol>
Leaks from handle.	<ol style="list-style-type: none"> <li>1. Cartridge may come loose.</li> <li>2. Cartridge may be defective.</li> </ol>	<ol style="list-style-type: none"> <li>1. Reseat cartridge tight.</li> <li>2. Replace cartridge.</li> </ol>
Leaks at hose connection.	<ol style="list-style-type: none"> <li>1. Hose connection is loose.</li> </ol>	<ol style="list-style-type: none"> <li>1. Tighten hose.</li> <li>2. Replace hose.</li> </ol>
Leaks at shower valve connection.	<ol style="list-style-type: none"> <li>1. Connection may come loose or not sealed completely.</li> <li>2. Defective shower valve inlet or outlet connector.</li> </ol>	<ol style="list-style-type: none"> <li>1. Check connections.</li> <li>2. Replace valve body.</li> </ol>
Diverter knob does not work.	<ol style="list-style-type: none"> <li>1. Diverter cartridge may be defective.</li> </ol>	<ol style="list-style-type: none"> <li>1. Replace cartridge.</li> </ol>
LED light does not Light or noisy LED showerhead.	<ol style="list-style-type: none"> <li>1. Defective LED generator.</li> </ol>	<ol style="list-style-type: none"> <li>1. Replace LED spray head (for kitchen faucet).</li> <li>2. Replace LED threaded pipe (for seperate faucet spout).</li> <li>3. Replace LED generator (for others).</li> </ol>
Low flow.	<ol style="list-style-type: none"> <li>1. Check for water pressure problems.</li> <li>2. Aerator may be dirty or clogged.</li> </ol>	<ol style="list-style-type: none"> <li>1. Clean or replace the aerator.</li> <li>2. Remove waterflow restrictor if available.</li> <li>3. Install booster or pump (if applicable).</li> </ol>