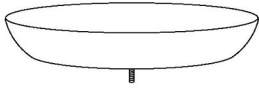


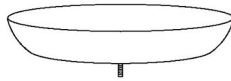
**Planter**

# Parts List

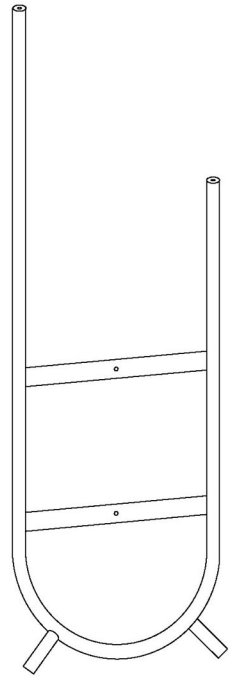
Ax1



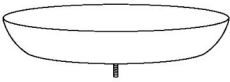
Bx1



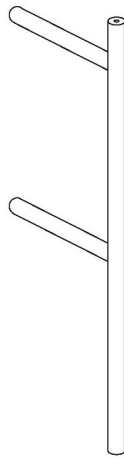
Cx1



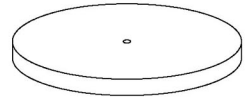
Dx1



Ex1



Fx1



# Accessories List

Gx3



M8\*30mm

Hx1

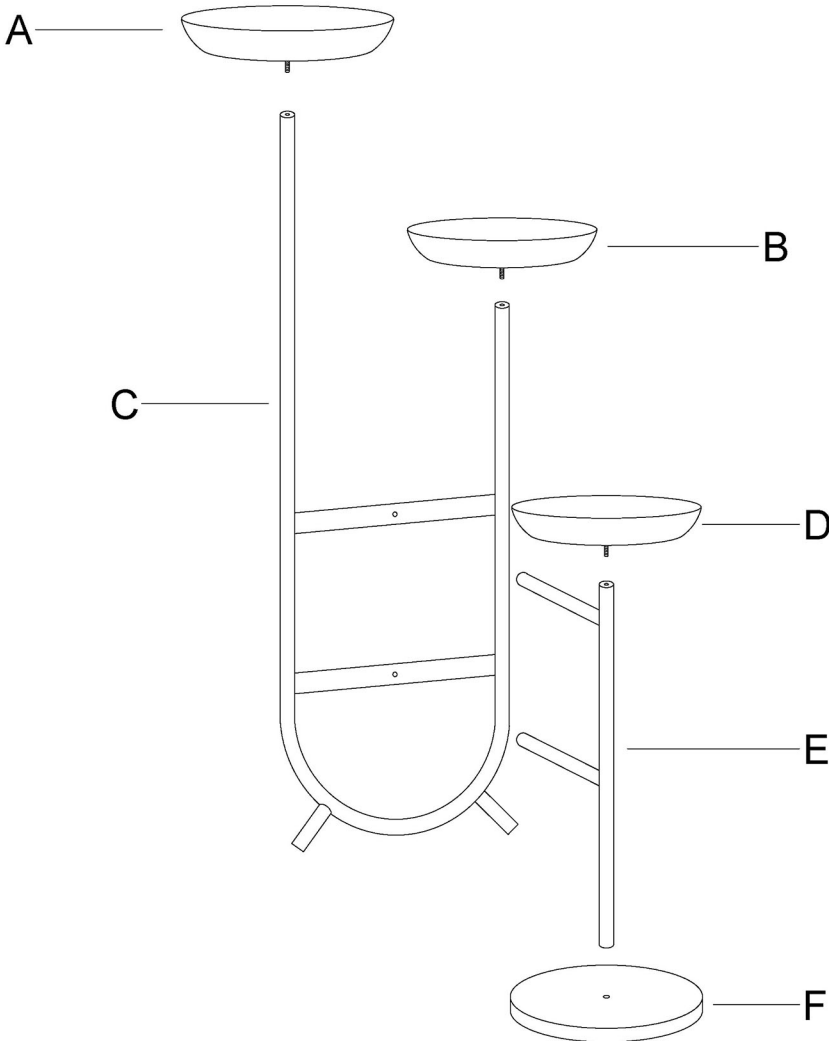


Ix3



# Exploded Views

## EXPLODED



## COMPLETE



## General Guidelines

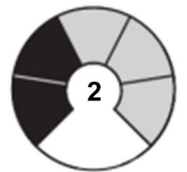
- Do not throw away packing materials until assembly is complete for small parts may come loose inside the carton during shipment. If parts are missing, please contact us.
- Assemble this item on a soft surface, such as carpet to protect the finish.
- During assembly, keep any small part out of reach of children as they may be fatal if swallowed or inhaled. Keep plastic packing bags out of reach of children to avoid any potential danger, such as suffocation.
- Avoid sharp objects and corrosive chemicals to prevent damage to the product or bodily injury.
- Clean with damp cloth. To protect the finish, avoid use chemicals and household cleaners.



TIME



1 People



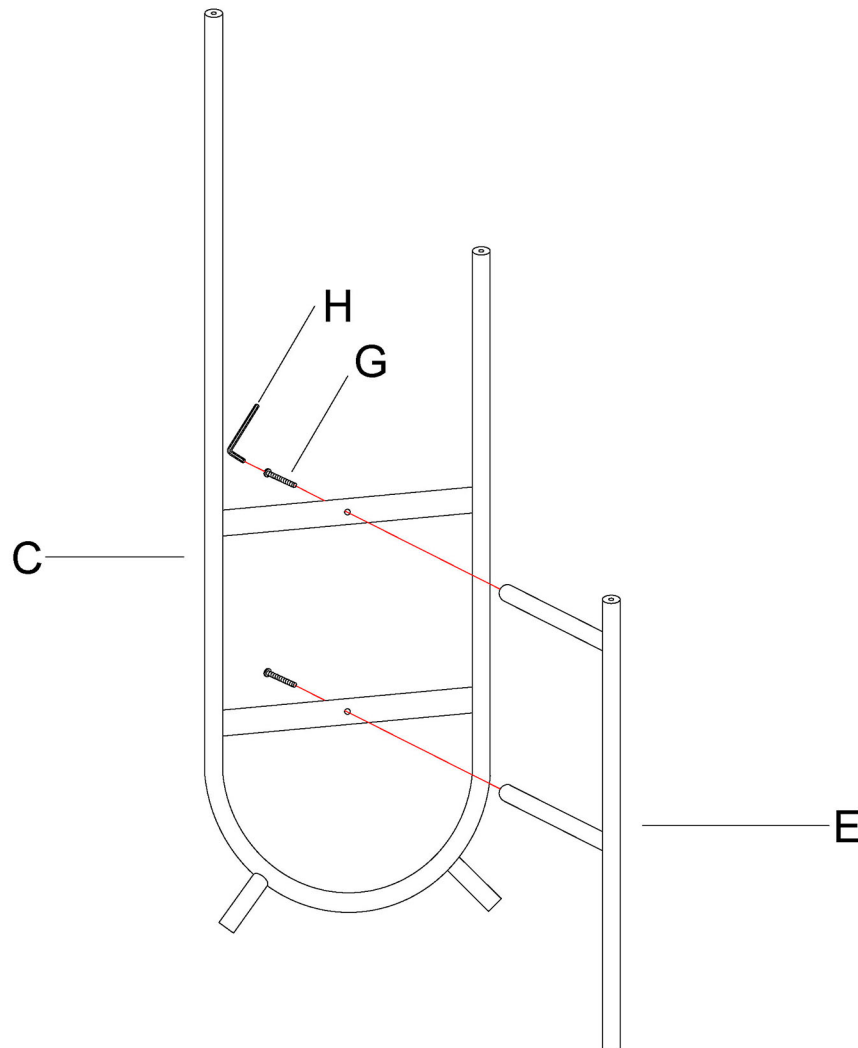
DIFFICULTY

## Installation Steps

### Step 1

G  x2

H  x1

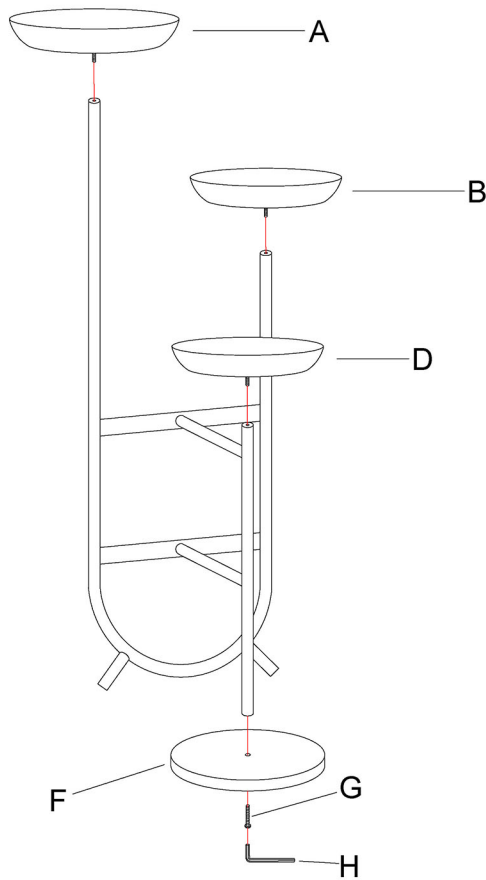


# Installation Steps

## Step 2

G  x1

H  x1



## Step 3

I  x3

