

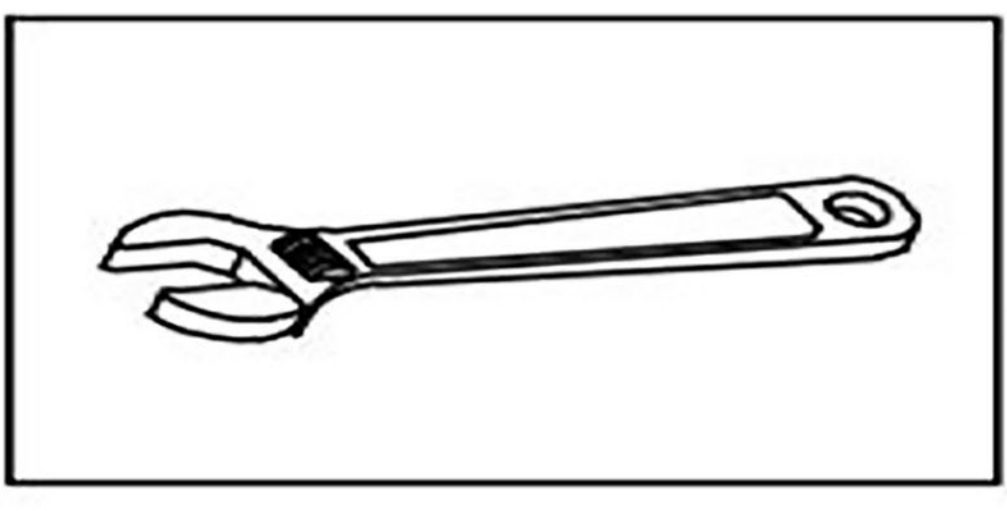
Manual Installation

Model Number :J040222-WANDB-SMALL

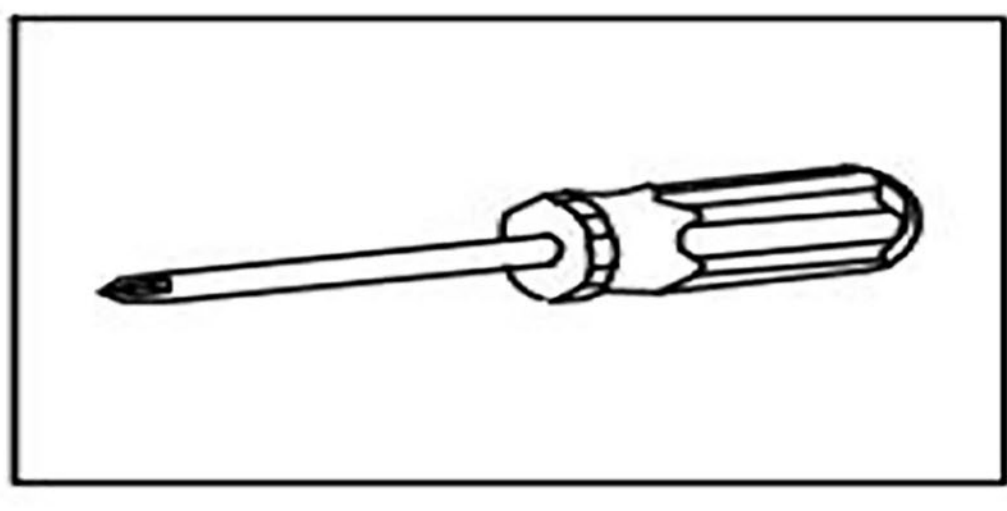


Bathroom Vanity #J040222 Installation

INSTALLATION MANUAL Tools You Will Need:



Adjustable Wrench

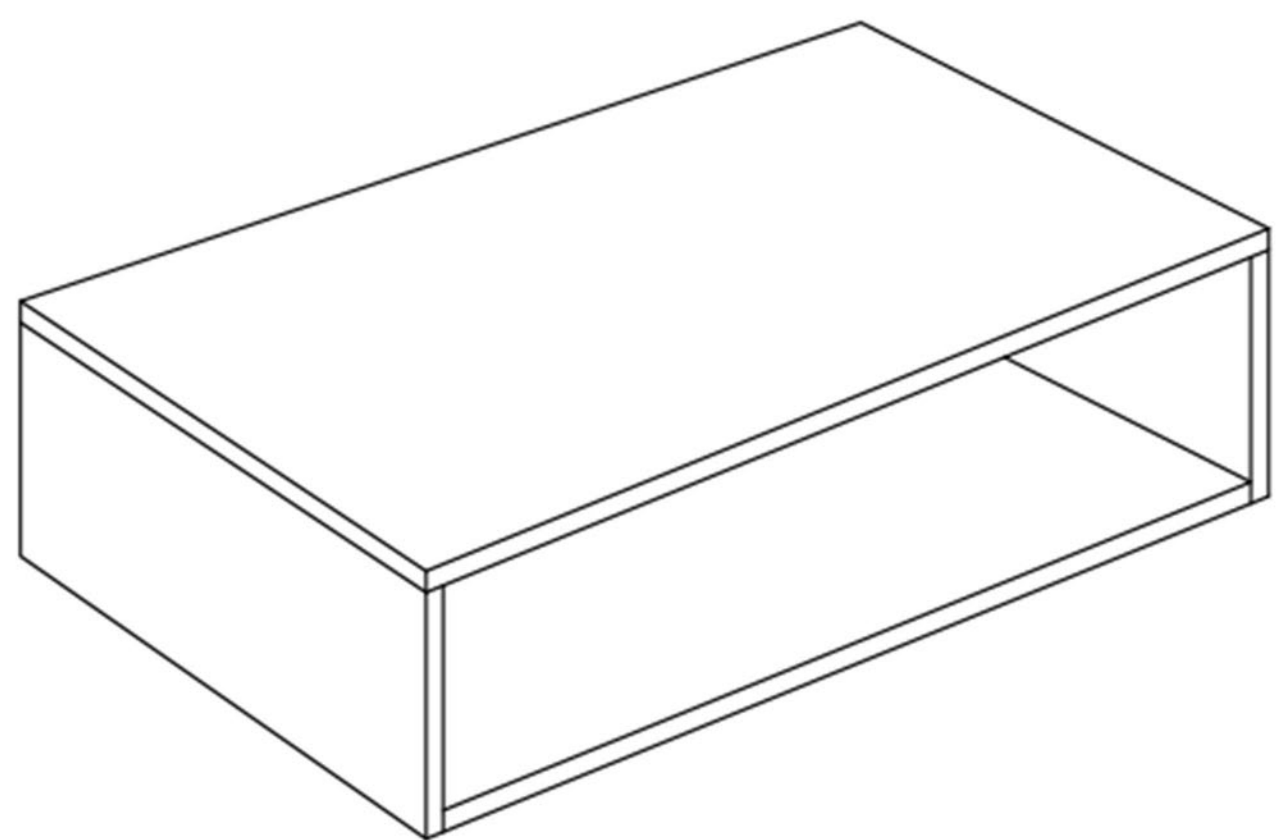


Philips Screwdriver

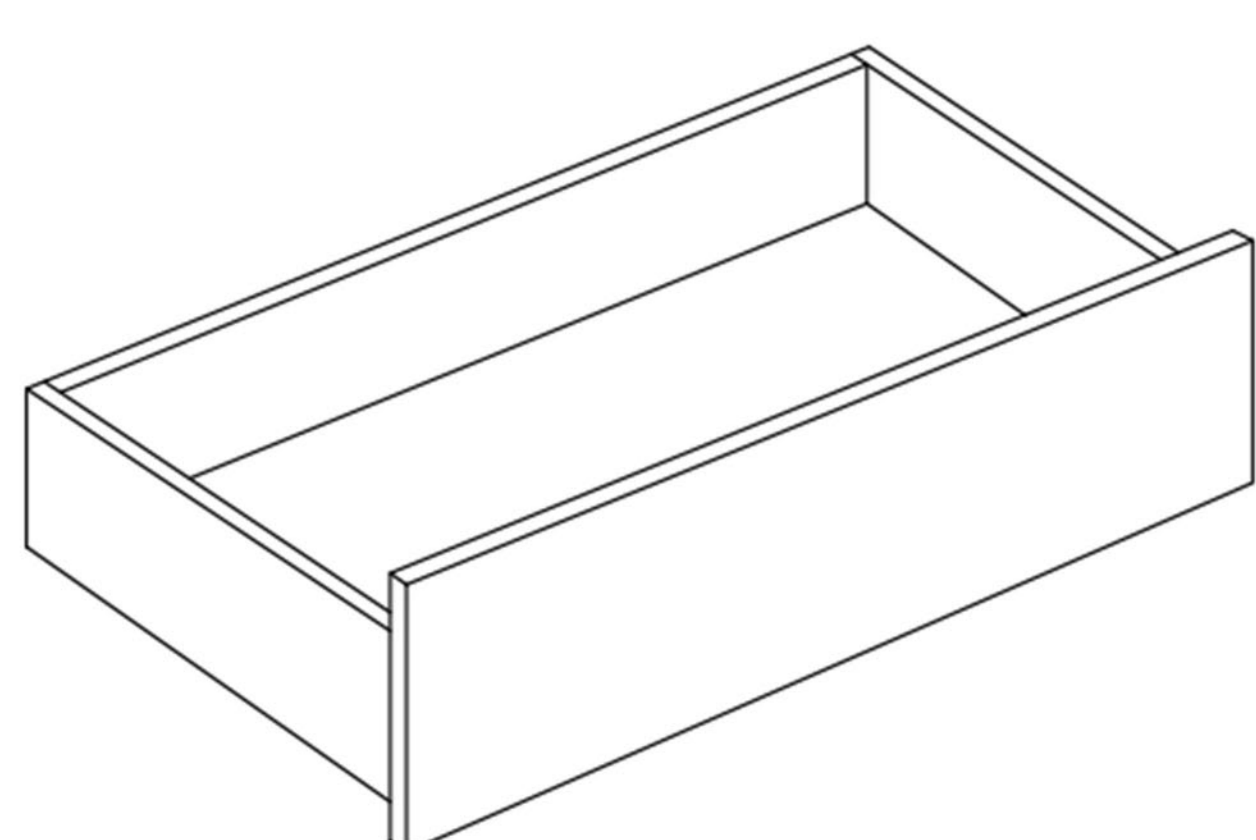
Before the Installation

1. Do not throw away packing materials until assembly is complete for small parts may come loose inside the carton during shipment. If parts are missing, please contact us.
2. Assemble this item on a soft surface, such as carpet to protect the finish.
3. Periodically check to ensure that all connections are tight.
4. It is recommended that installation of the product be done by a qualified licensed plumber.

Bathroom cabinet parts



Dx1



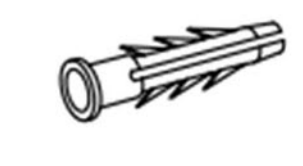
Cx1



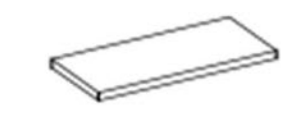
Fx2



Gx2

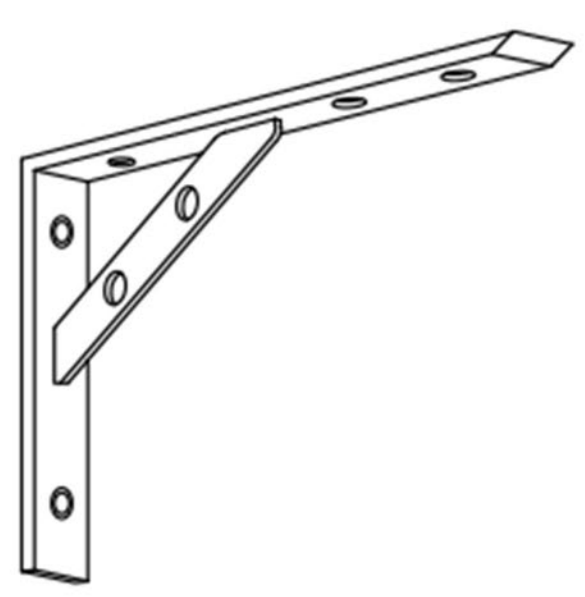


Hx4

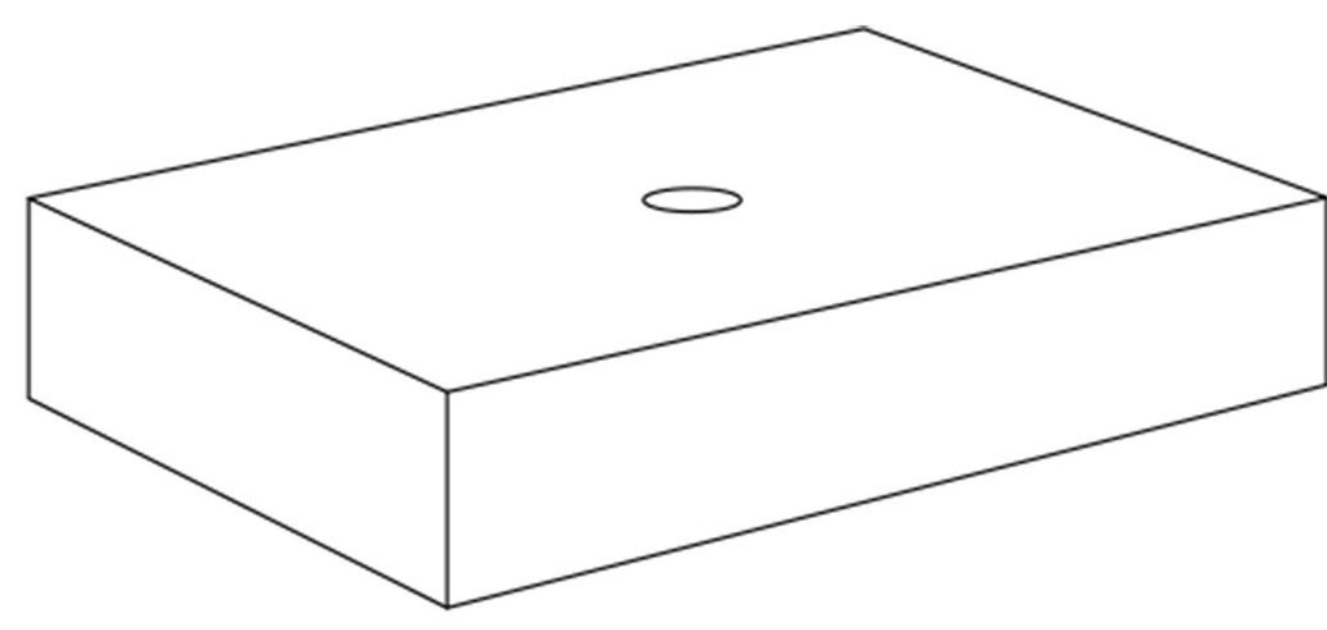


Jx4 (Not a necessity.)

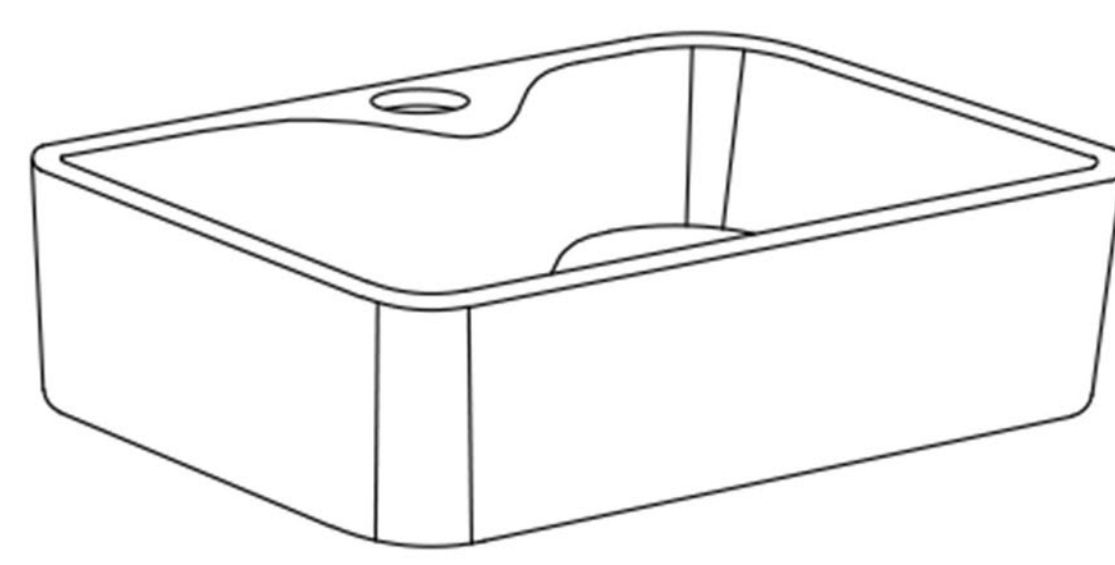
Basin parts



Ax2



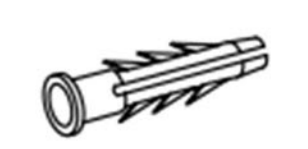
Bx1



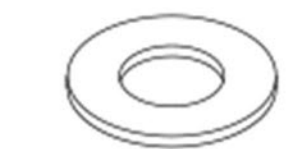
Ex1



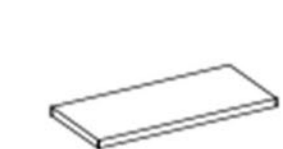
Gx4



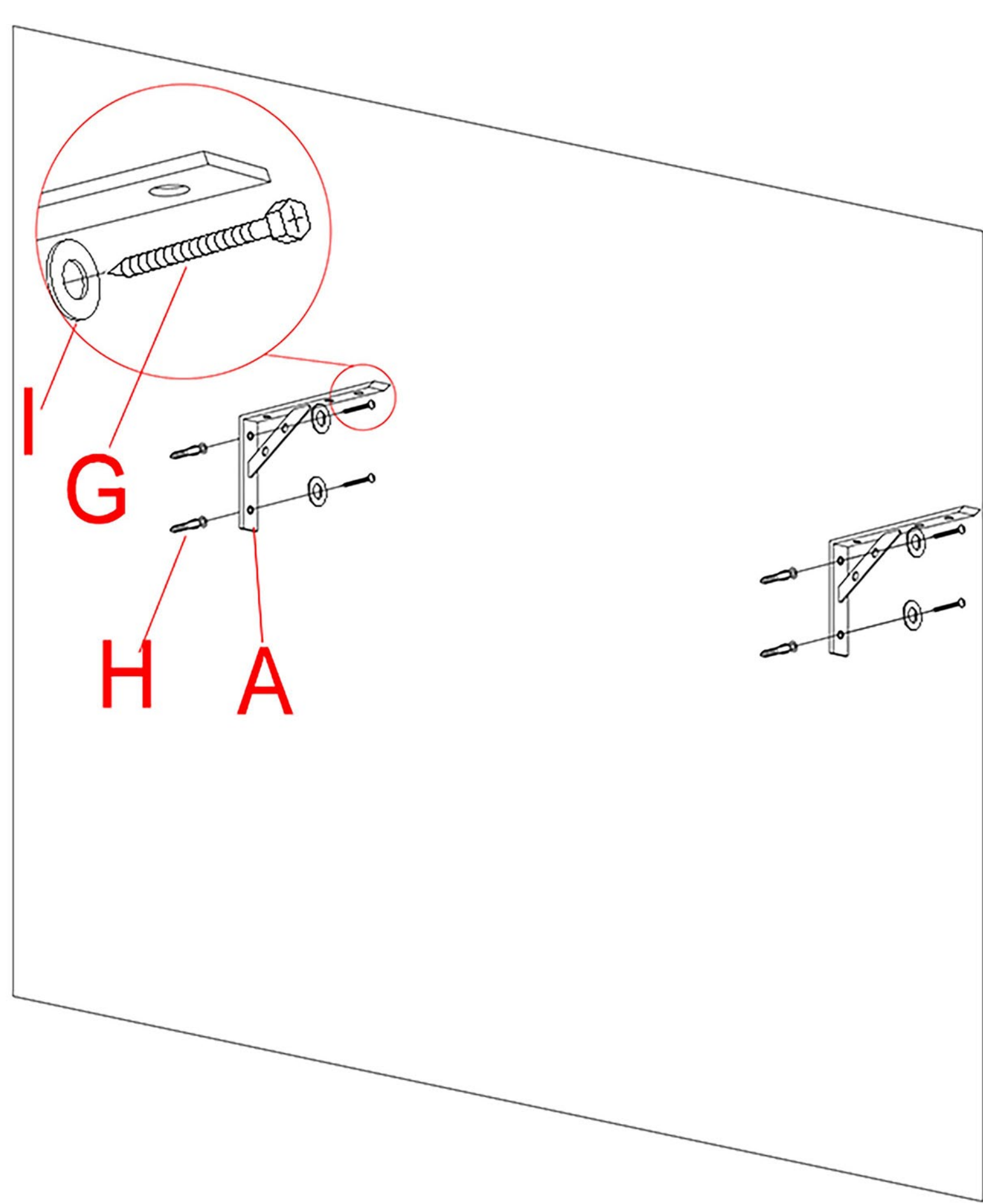
Hx4



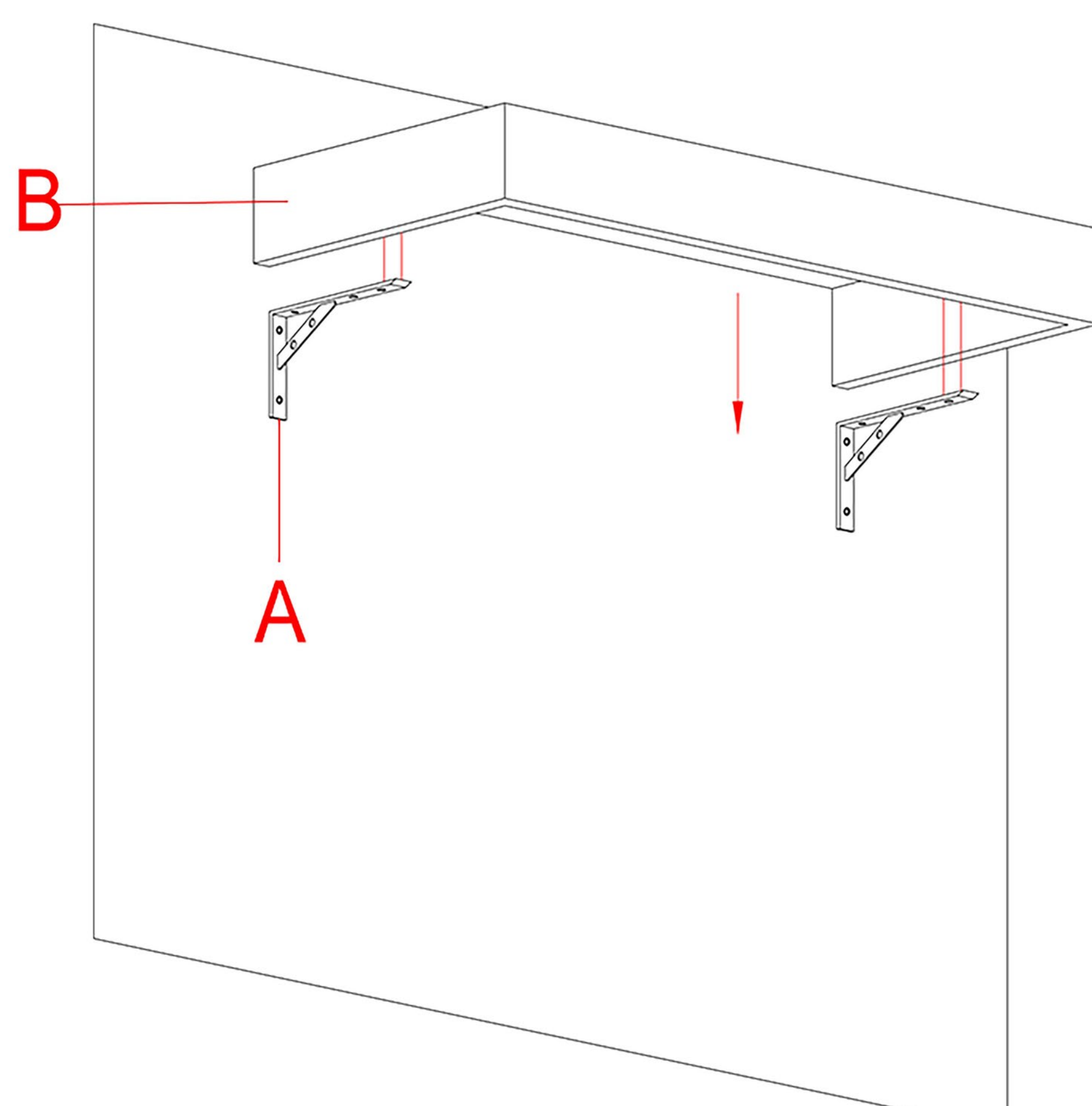
Ix4



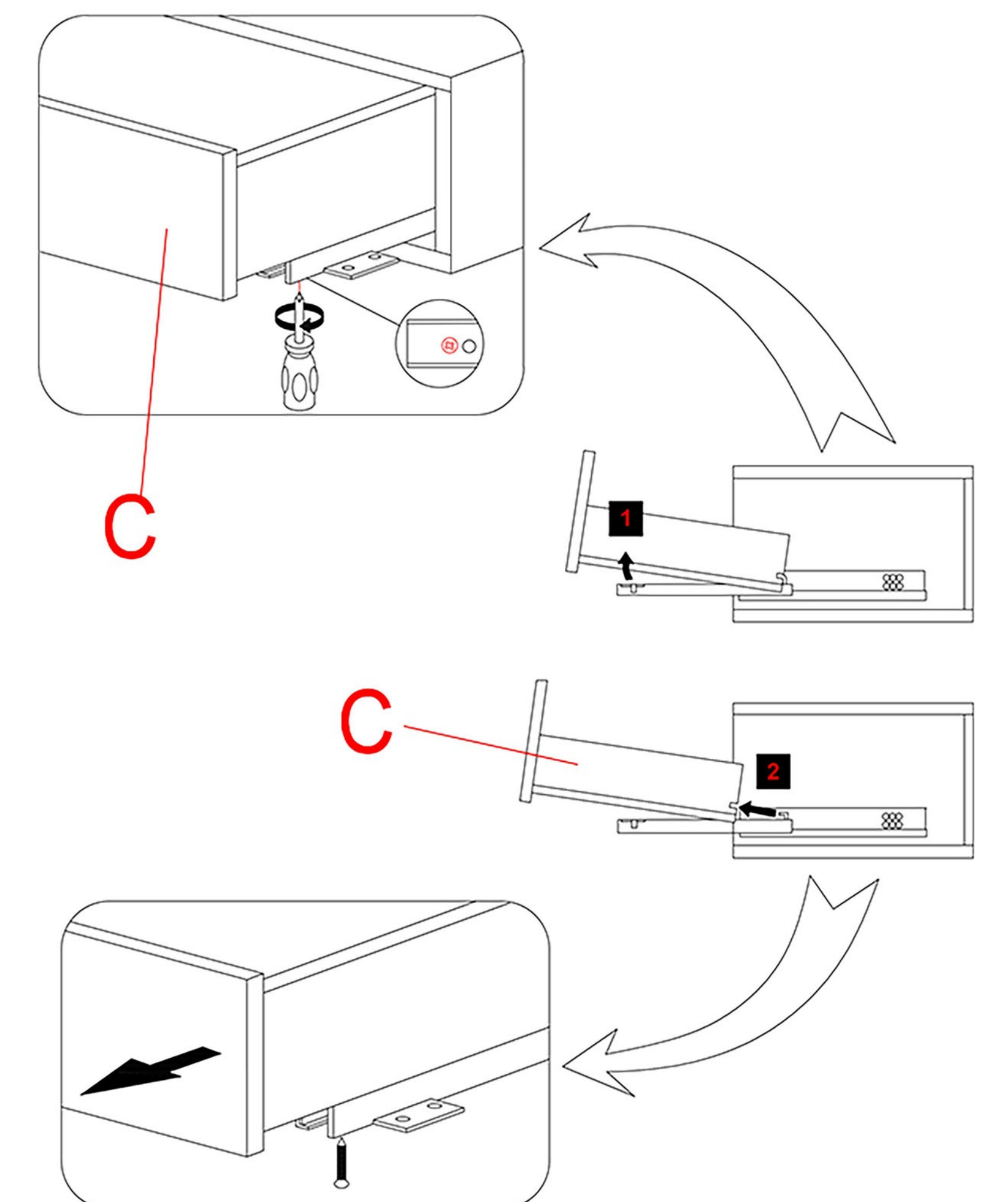
Jx4 (Not a necessity.)



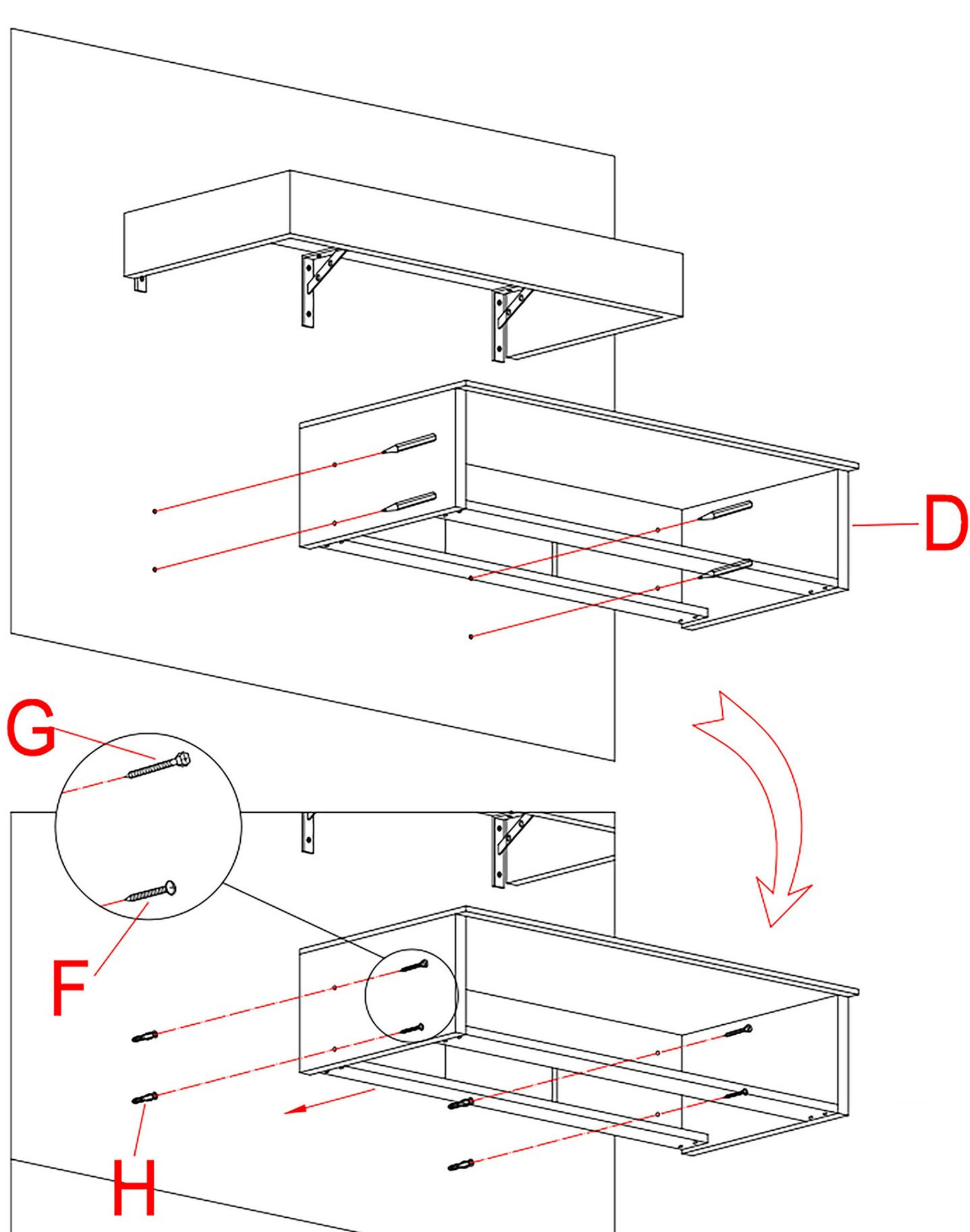
1. Determine the vanity placement and mark holes on the wall. Then install the expansion screws in wall. Fix the mounting brackets (A) with screws. (Note: Use a level to ensure that the brackets (A) is straight and level.)



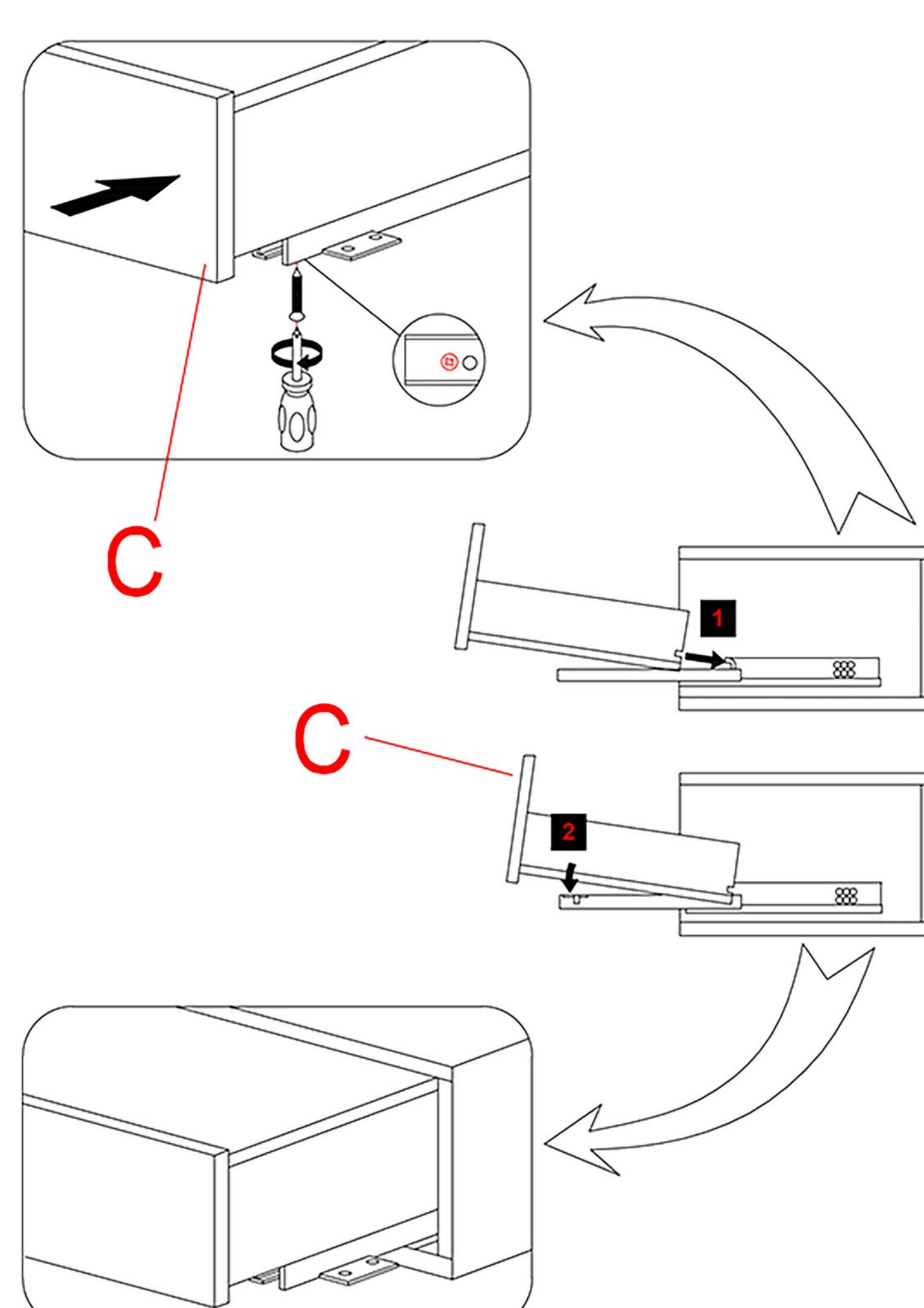
2. Place the countertop (B) onto the mounting brackets (A). Apply silicon sealant to the mounting surface and press firmly.



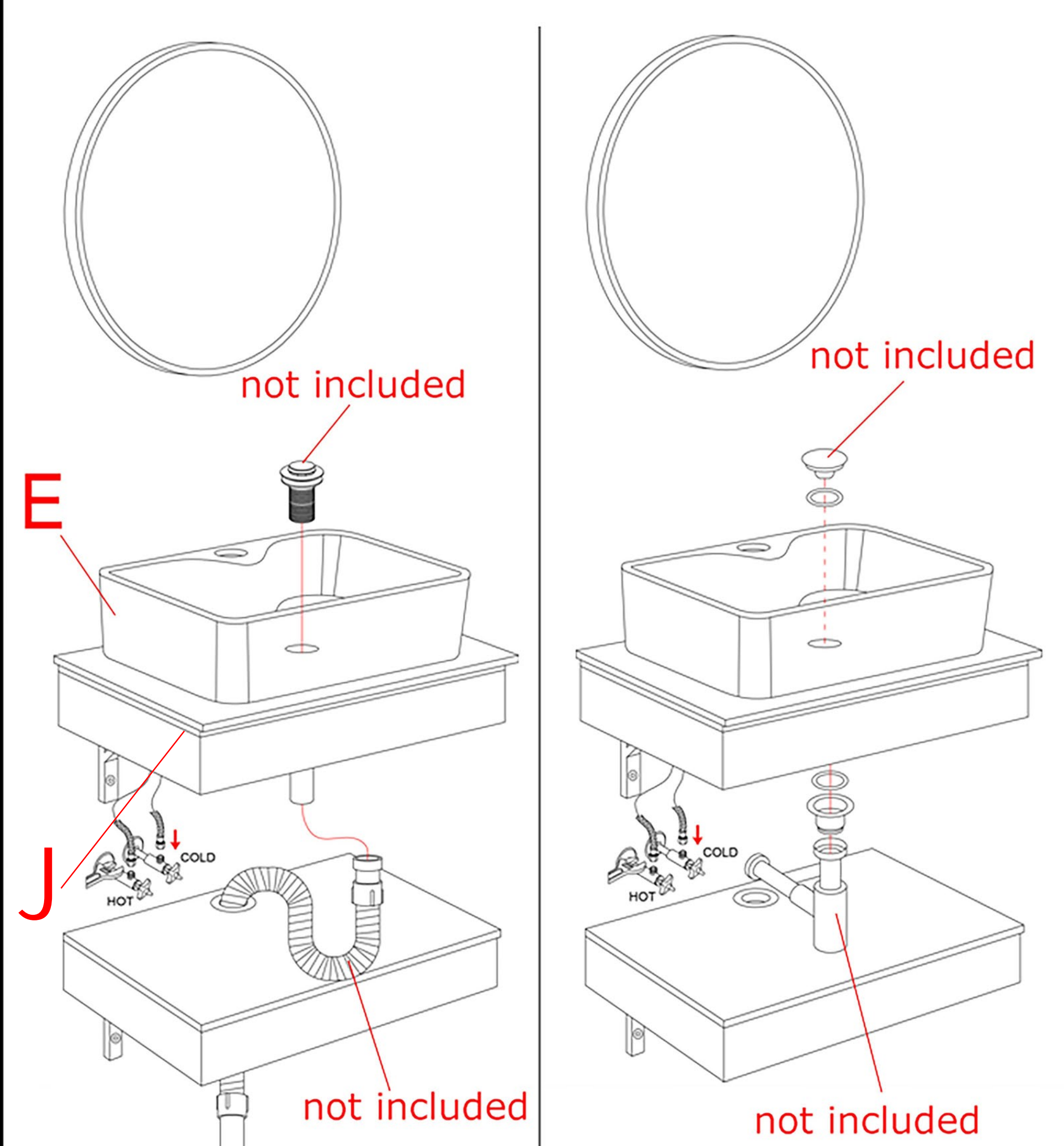
3. Unscrew the screw and remove the drawer (C).



4. Mark holes on wall and drill holes. Install vanity (D) to the wall with screws.



5. Install back the drawer (C).



6. Install the vessel sink (E). Install drain (not included) and p-trap or drain hose (not included) as above.