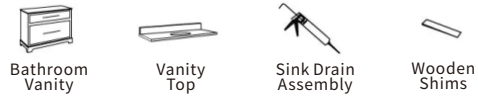


Bathroom Vanity Installation

TOOLS



MATERIALS



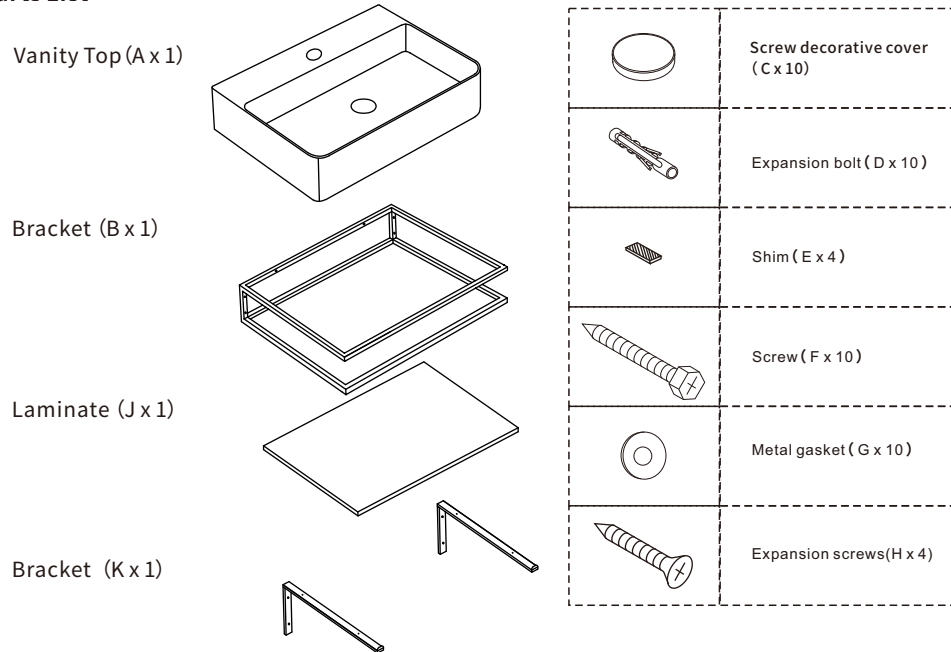
Before the Installation

1. Do not throw away packing materials until assembly is complete for small parts may come loose inside the carton during shipment. If parts are missing, please contact us.
2. Assemble this item on a soft surface, such as carpet to protect the finish.
3. Proper assembly of this item requires 2 people.
4. Periodically check to ensure that all connections are tight.
5. It is recommended that installation of the product be done by a qualified licensed plumber.

Care and Cleaning

1. To protect the finish, avoid use chemicals and household cleaners.
2. All hot serving dishes should be placed on a pad.
3. Any liquid spilled onto the top should be cleaned up immediately with a damp cloth.

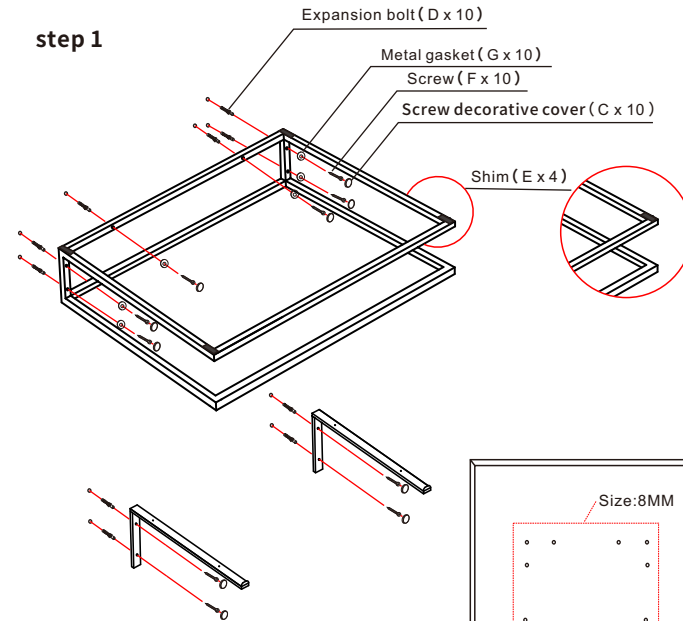
Parts List



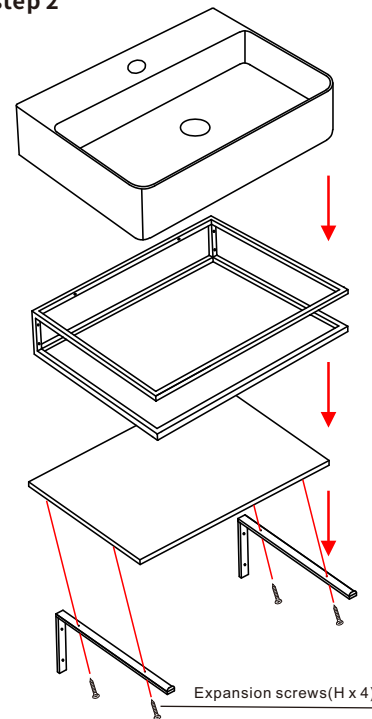
Note: Do not fully tighten all bolts until all parts are in place. Failure to follow these instructions may cause the bolt to misalign during assembly.

Installation Guide

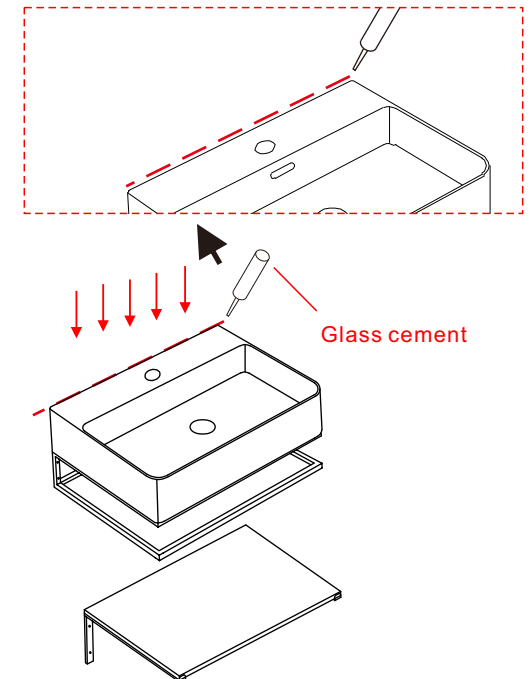
step 1



step 2



step 3



Installation Steps

1. Mark the new vanity placement (use pencil, tape measure and level).
2. Disconnect water plumbing.
3. Locate and mark the location of the studs to which you will fasten your new vanity.
4. Place and level the new bathroom vanity, and use vanity feet (if included).
5. Secure vanity to the wall with two cabinet screws.
6. Install sink faucet
7. Install vanity top
8. Place and seal glass cement
9. Reconnect water supply