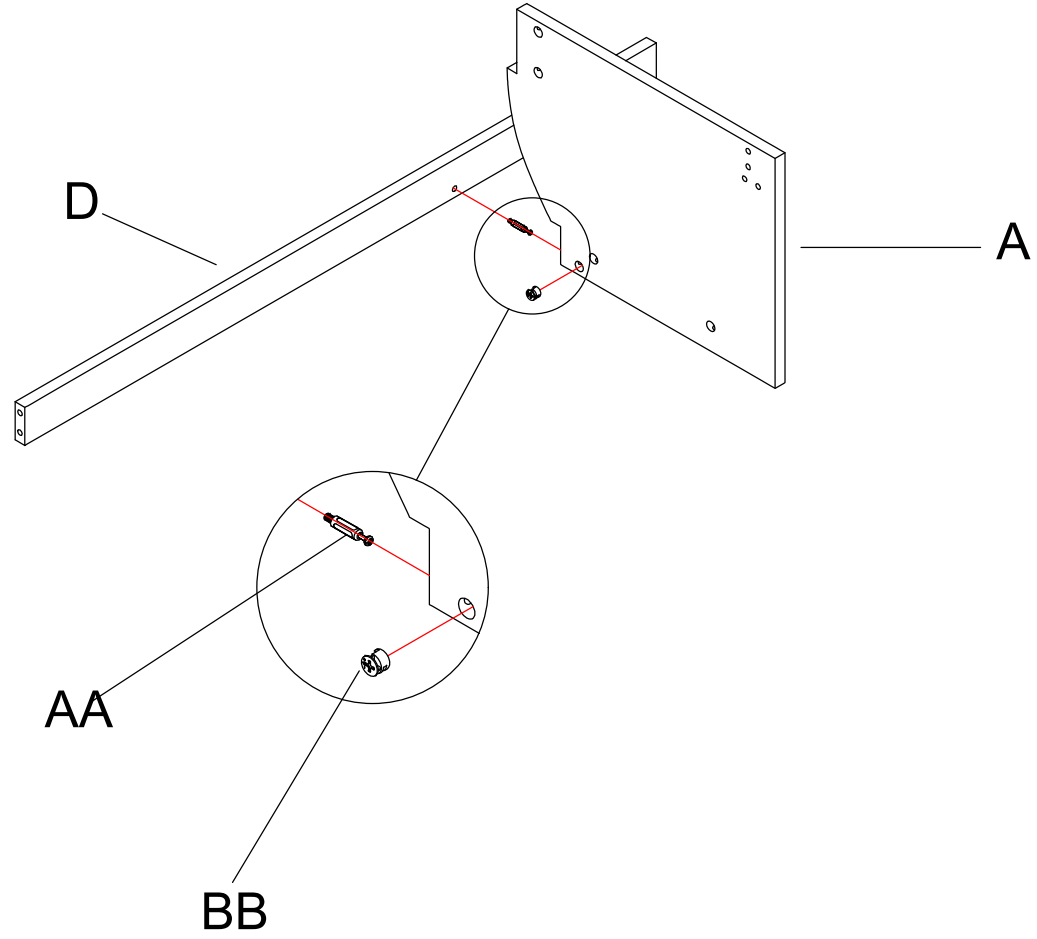


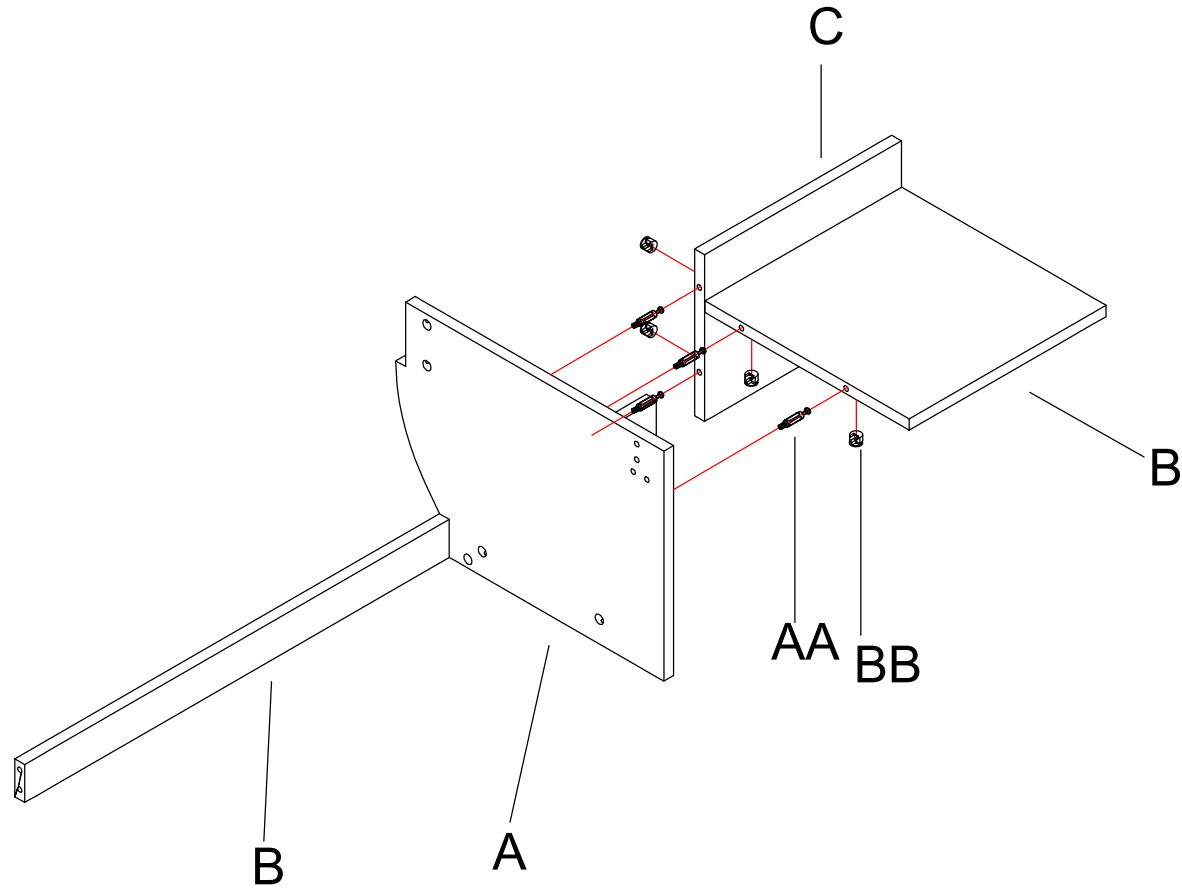
AA  x1

BB  x1



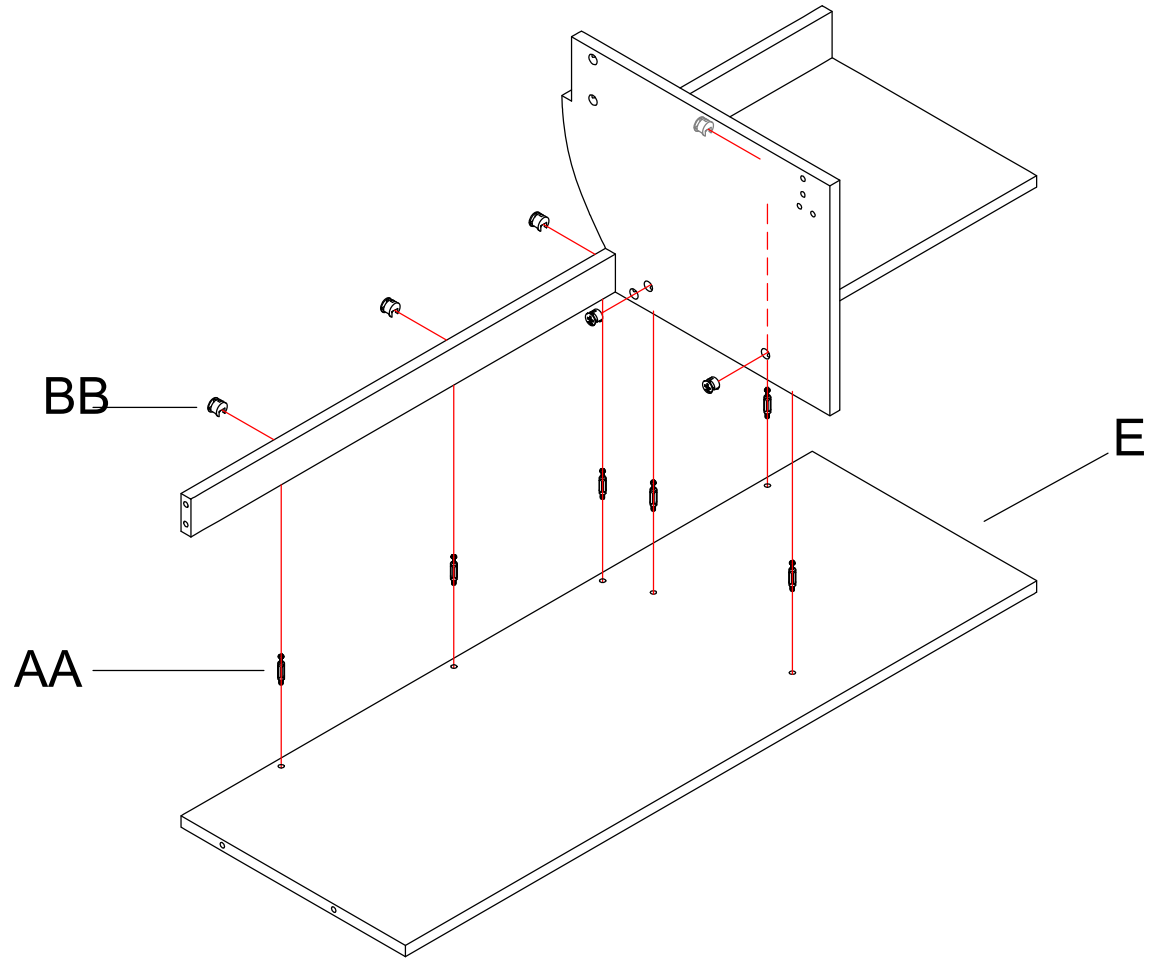
AA  x4

BB  x4



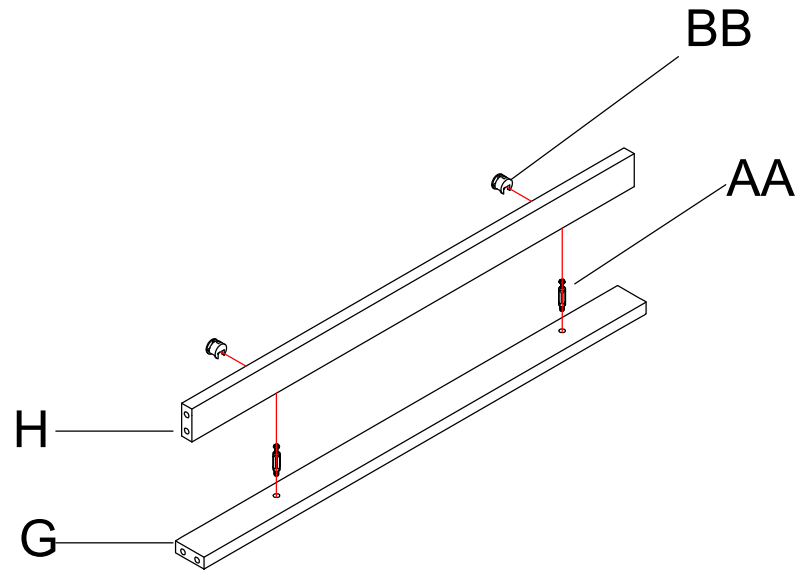
AA  x6

BB  x6



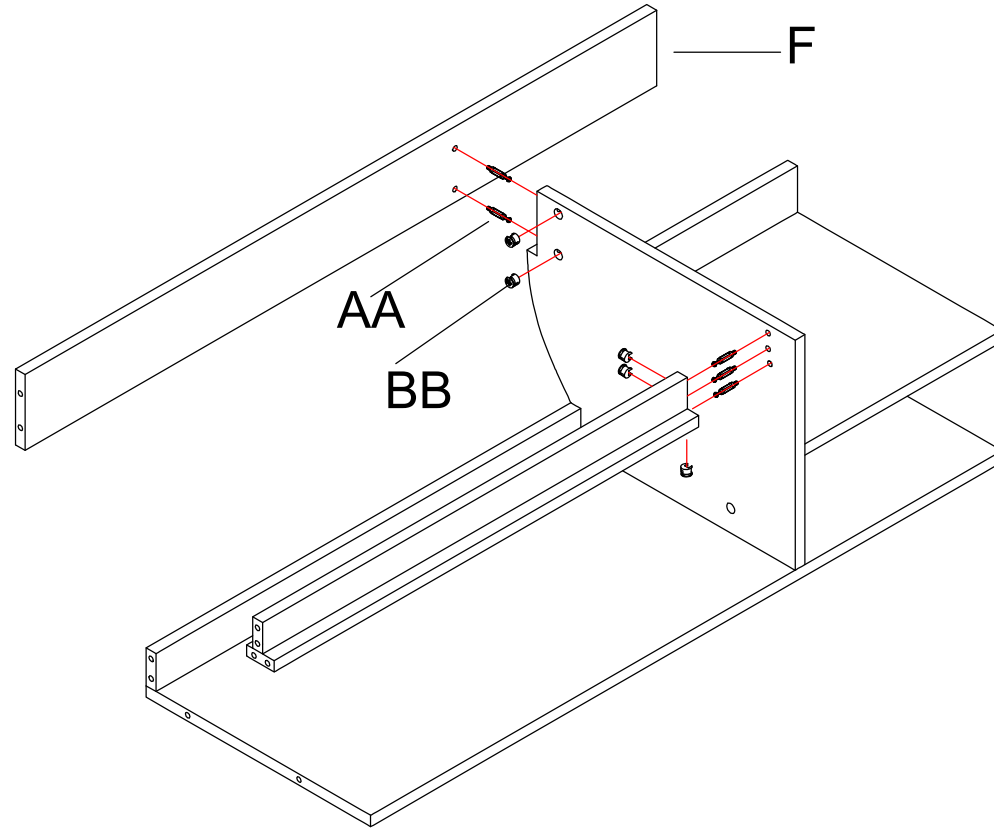
AA  x2

BB  x2



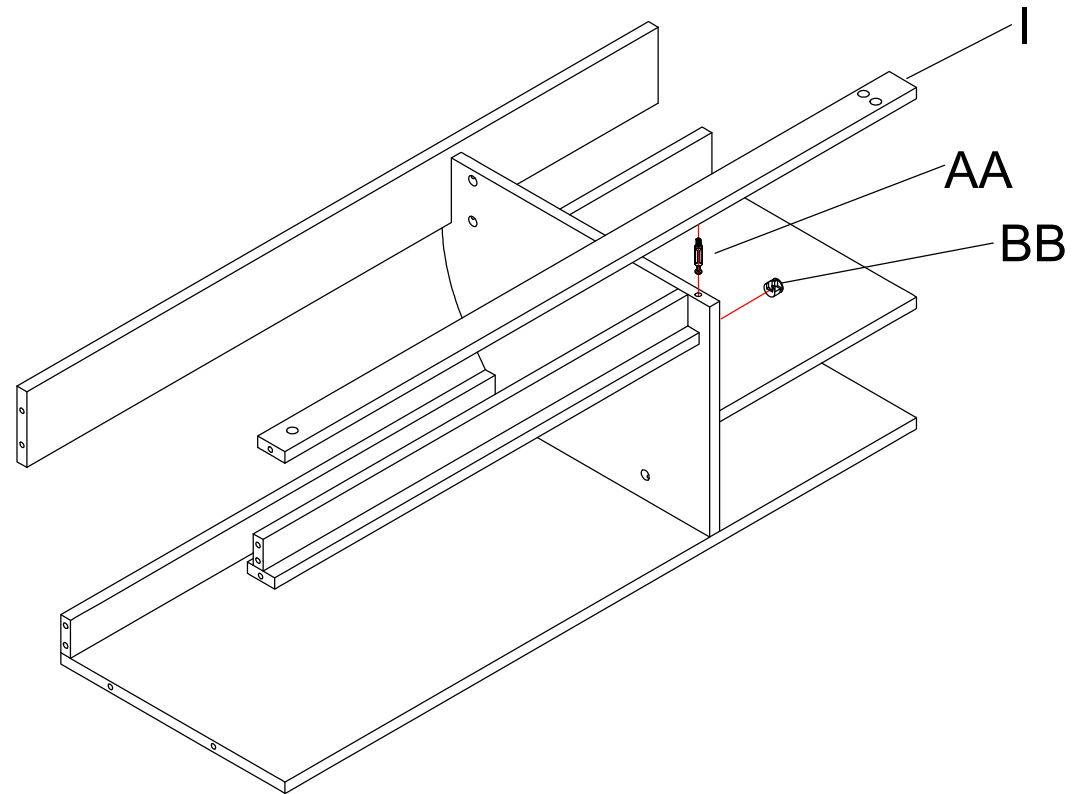
AA  x5

BB  x5



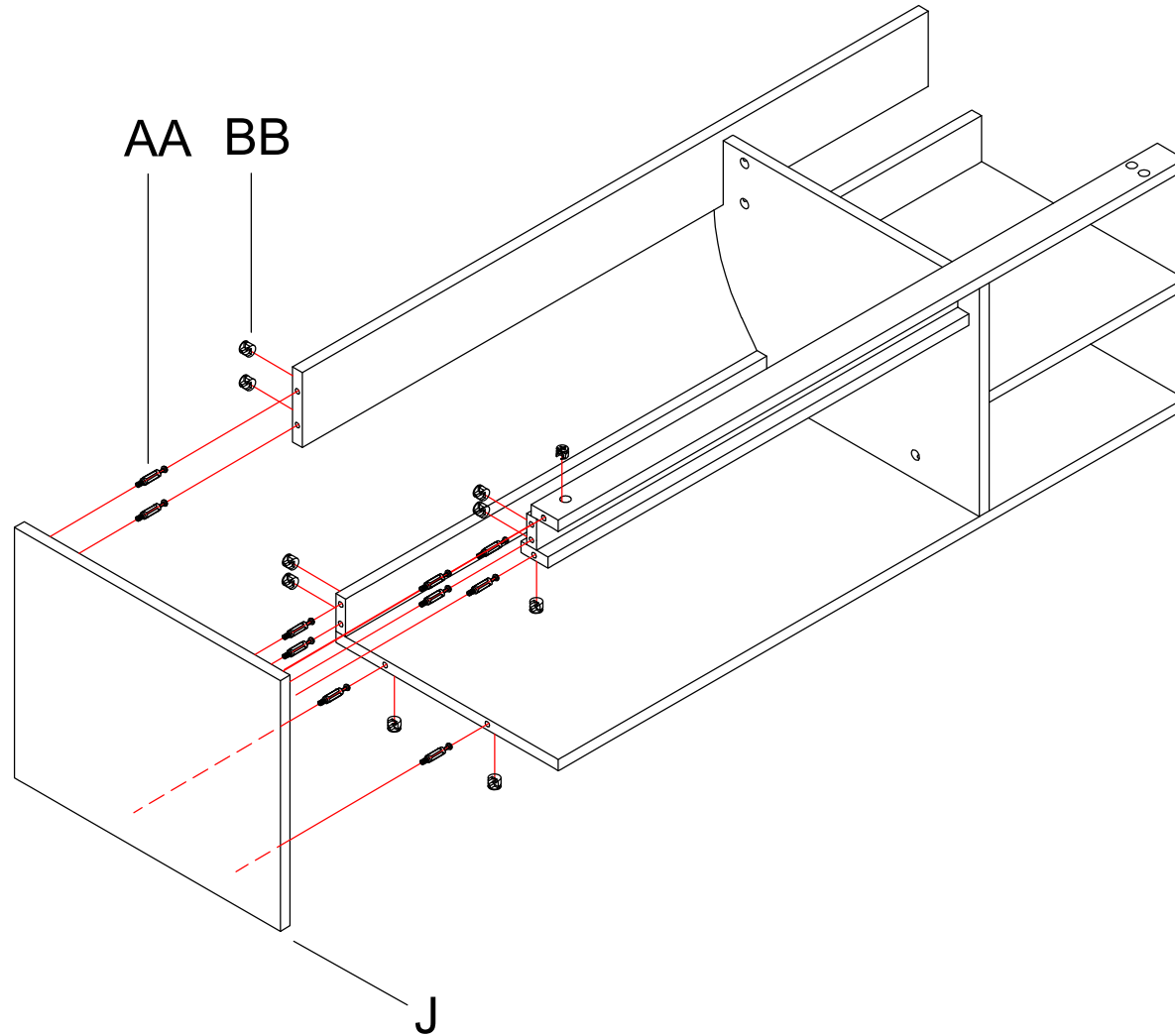
AA  x12

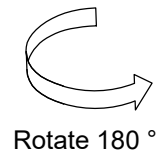
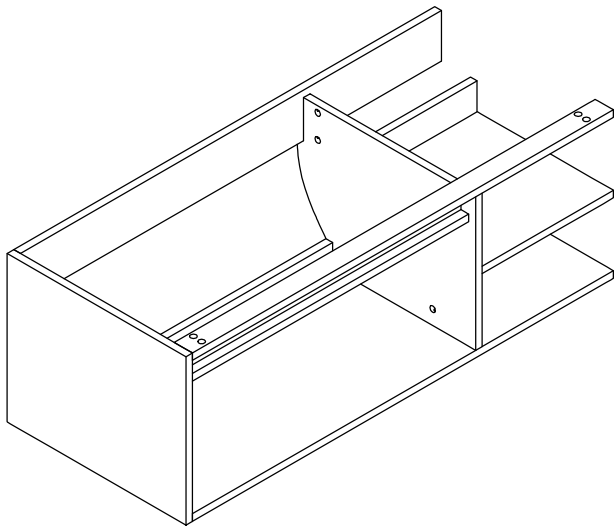
BB  x12



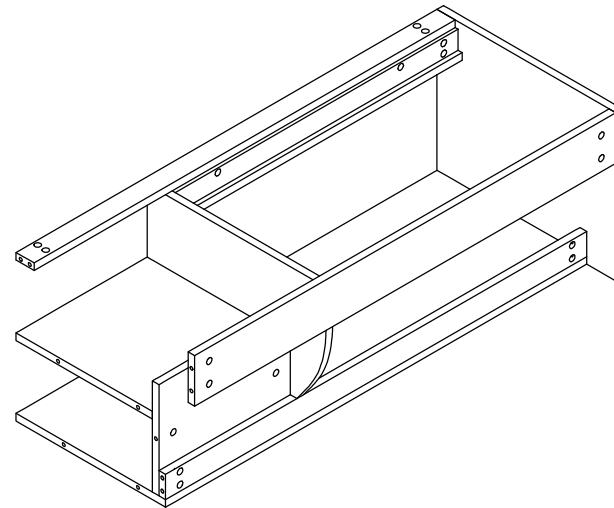
AA  x12

BB  x12



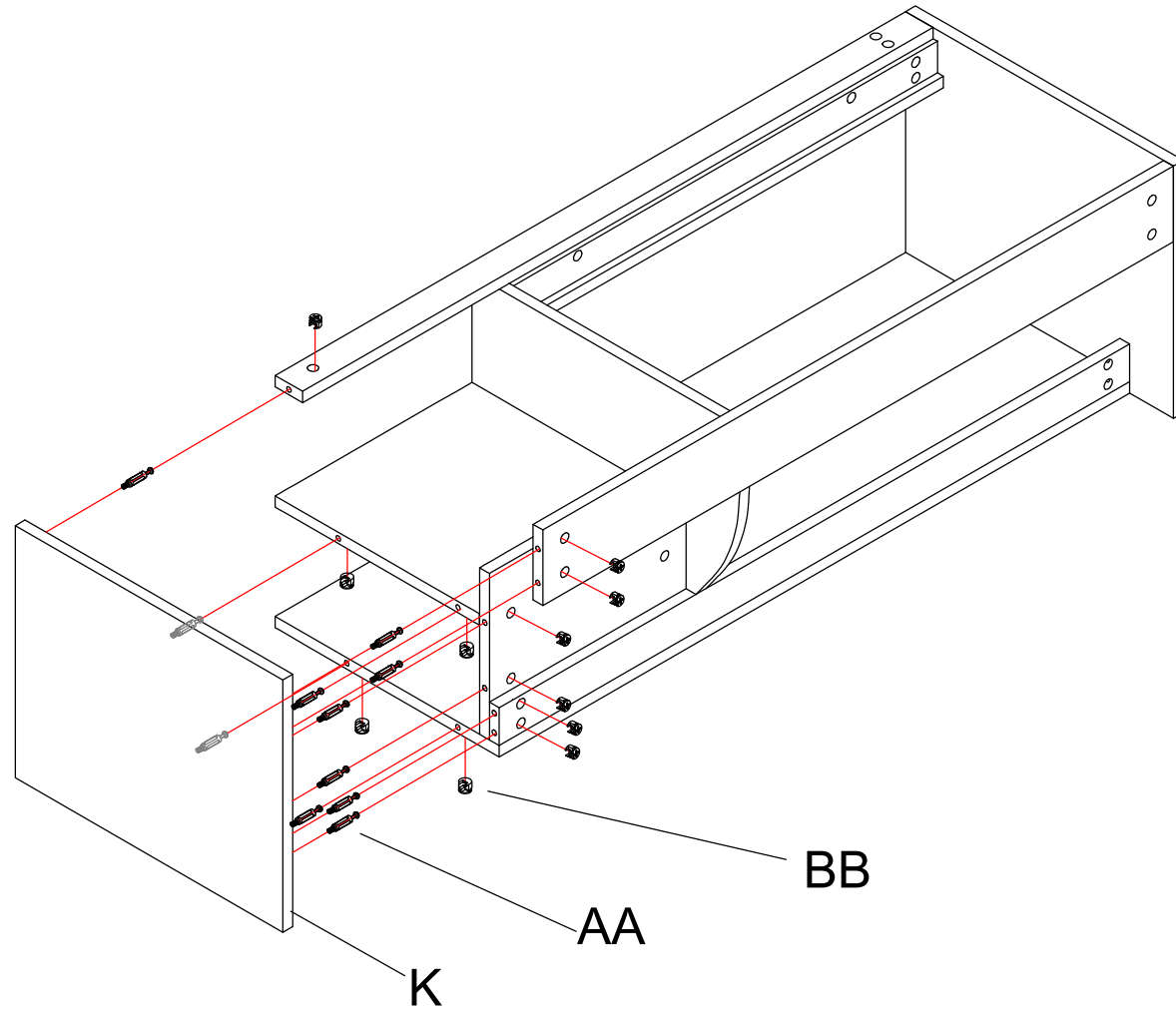


Rotate 180 °

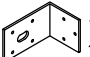


AA  x11

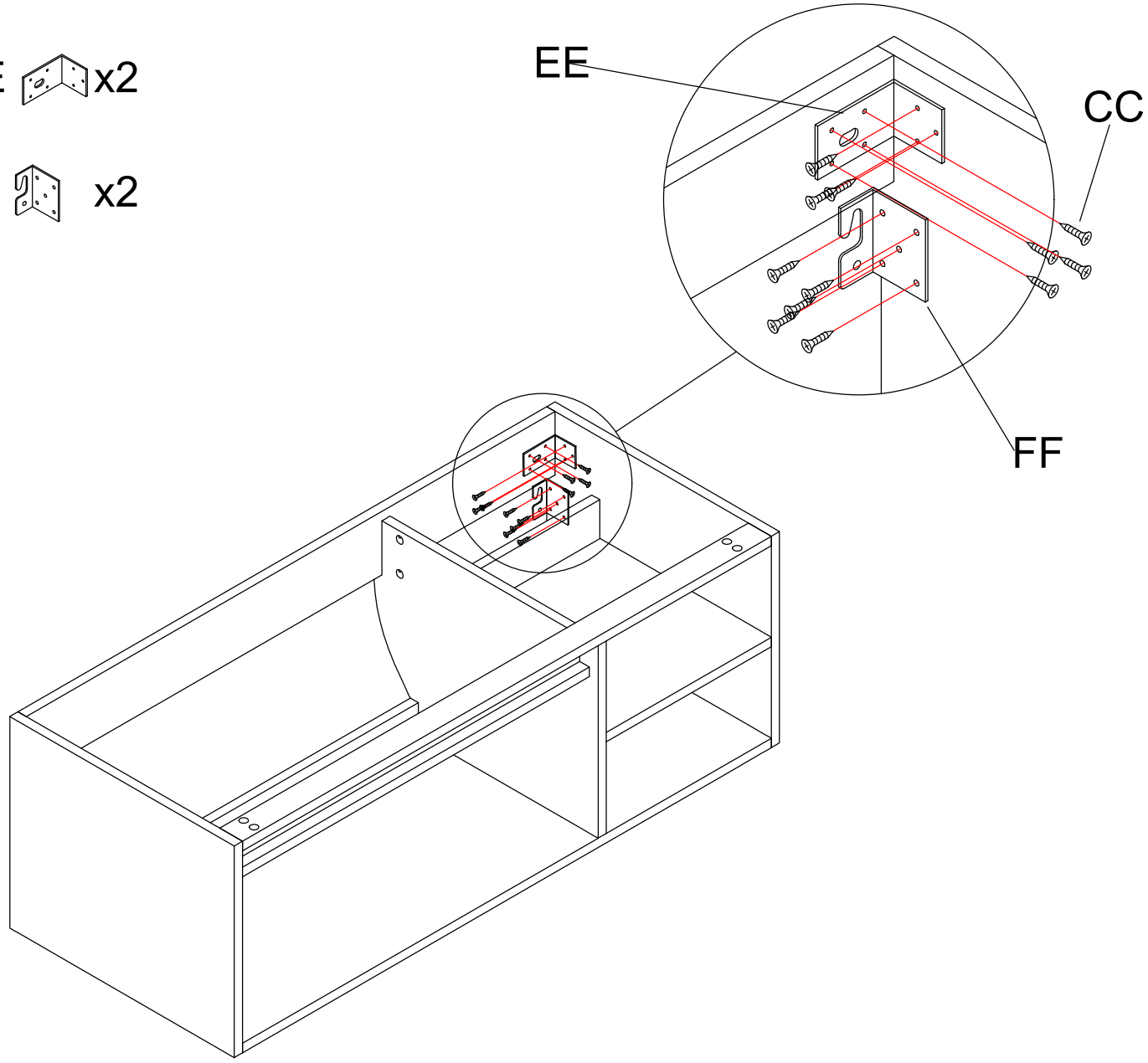
BB  x11



CC  x24

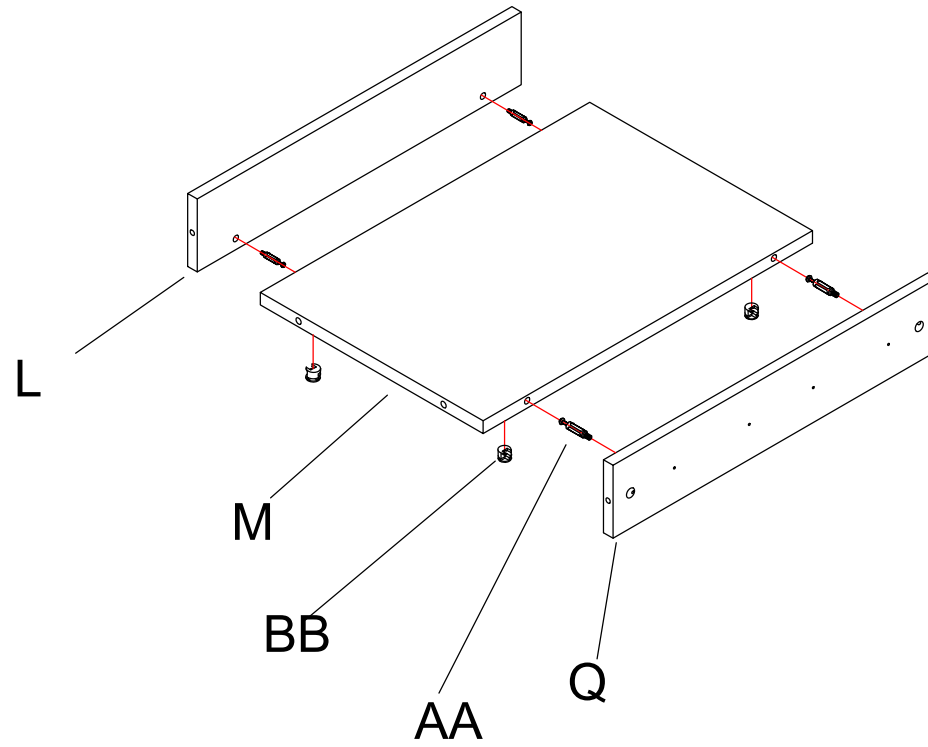
EE  x2

FF  x2



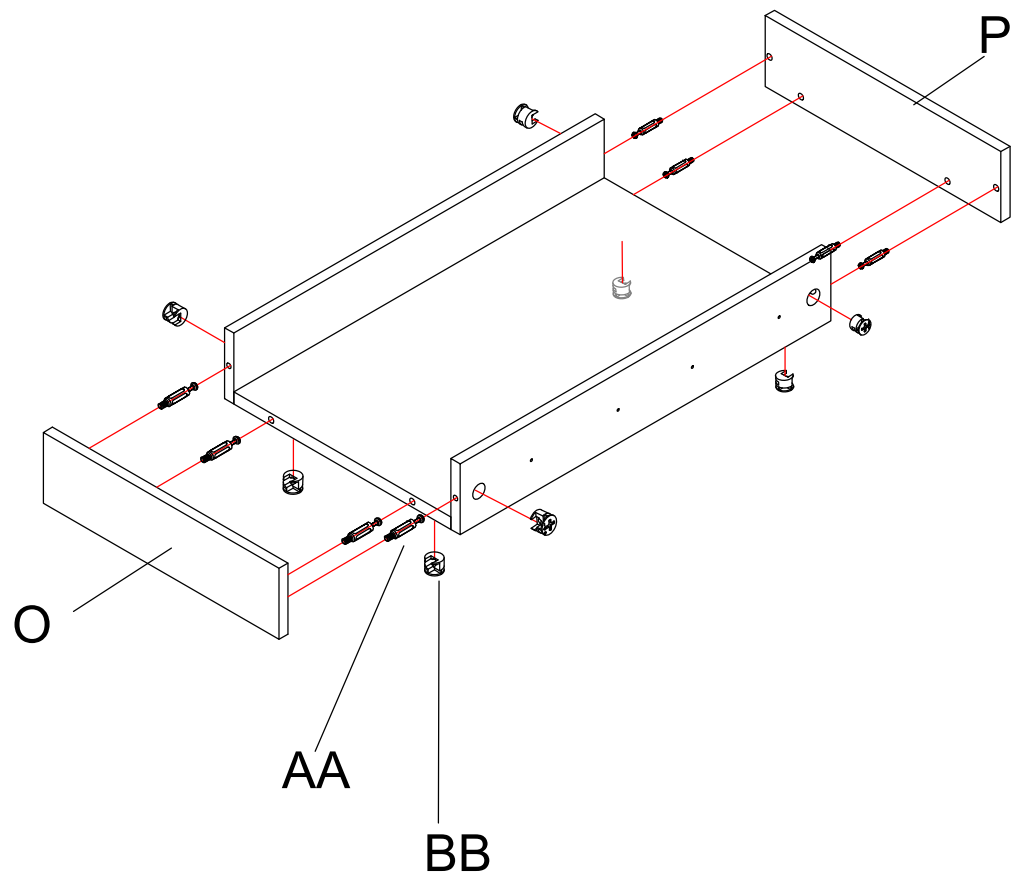
AA  x4

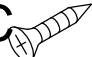
BB  x4



AA  x8

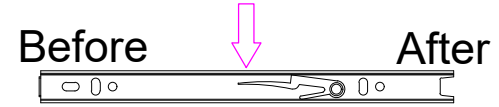
BB  x8



CC  x8

GG  x2

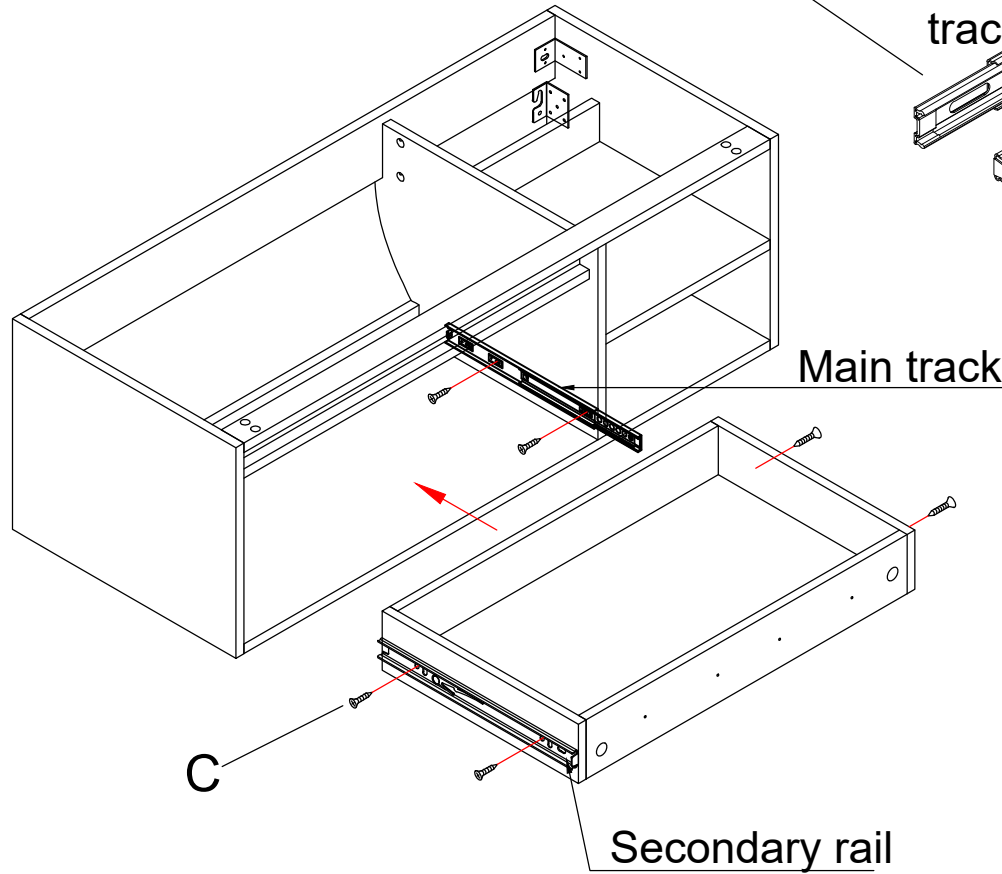
Valve switch (press down to open)



GG

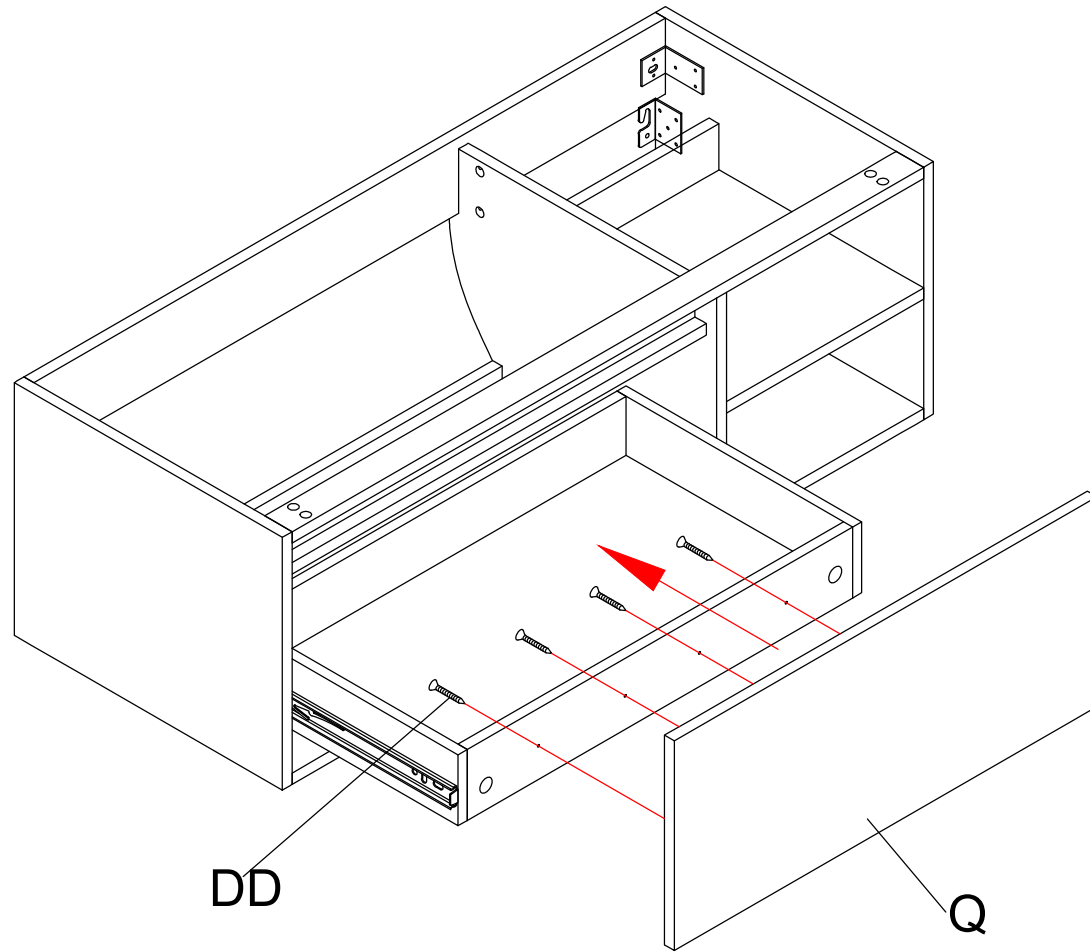
Main track

Secondary rail




Three-section ball guide -10"

DD  x4

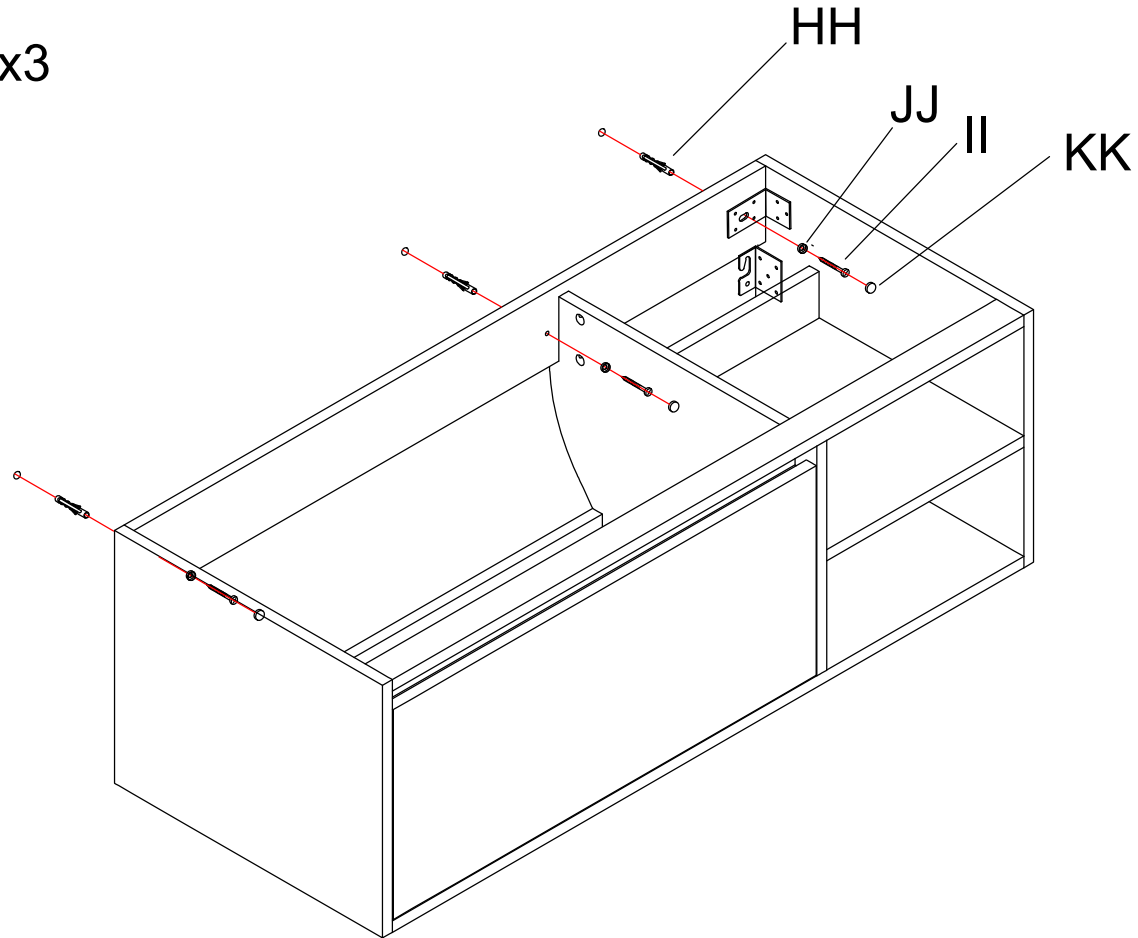


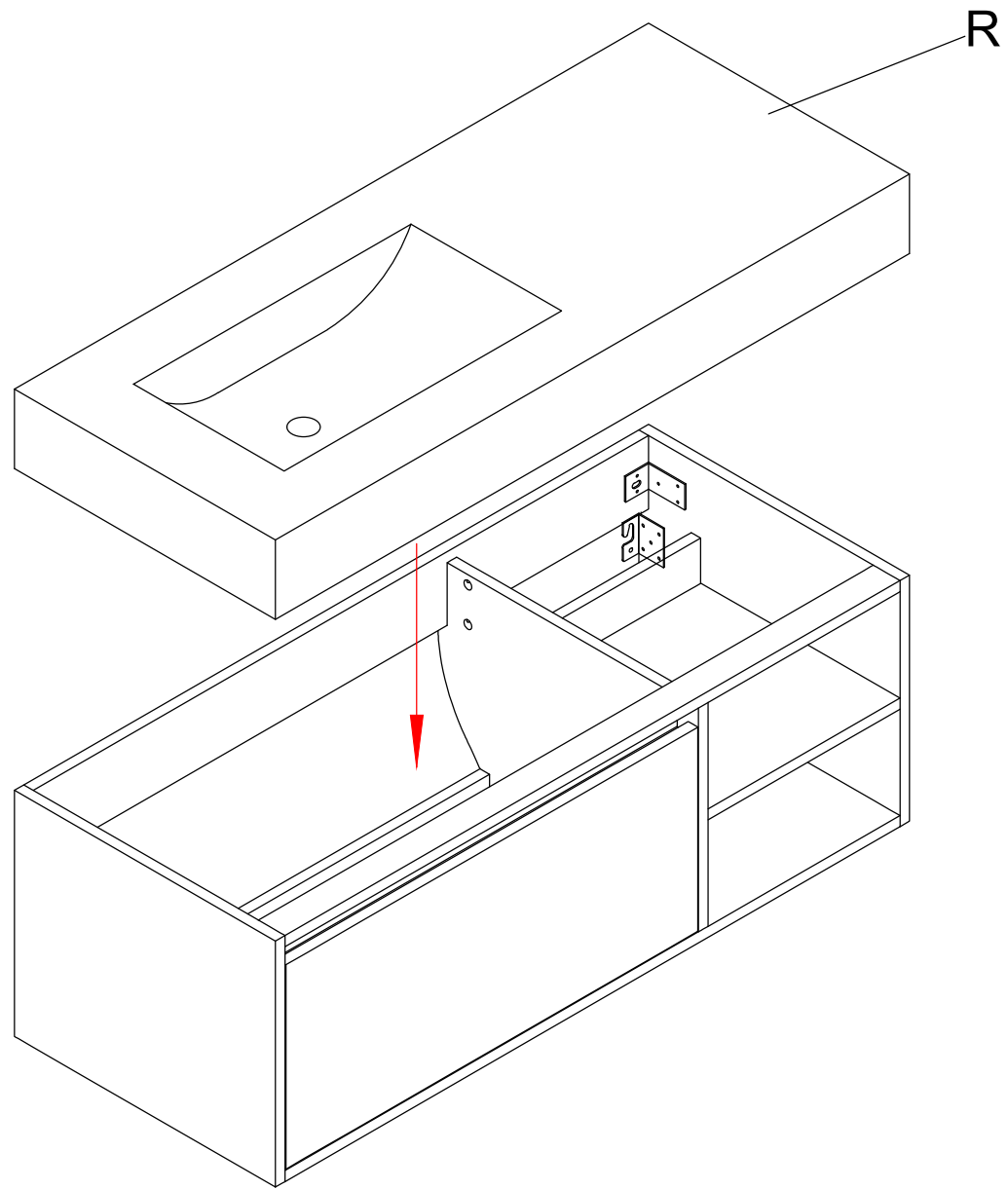
HH  x3

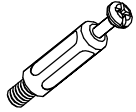

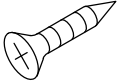
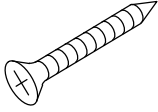
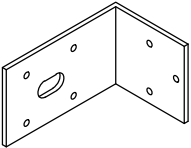
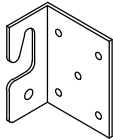
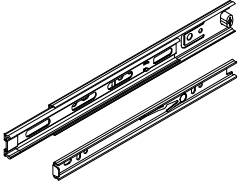
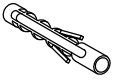
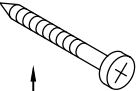


II  x3

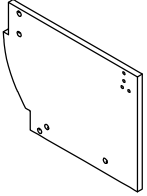
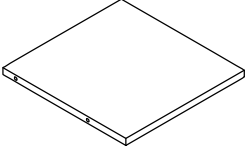
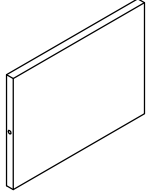
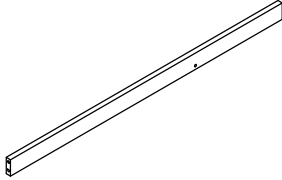
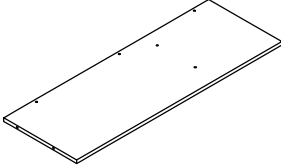
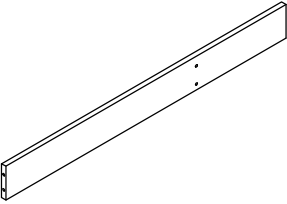
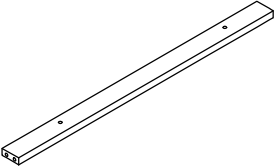
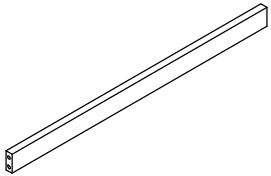
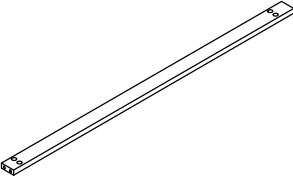
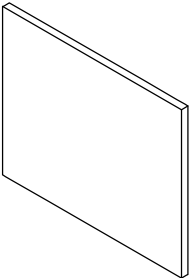
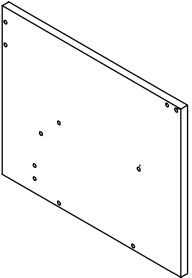
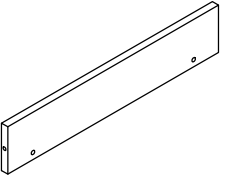
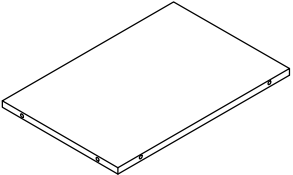
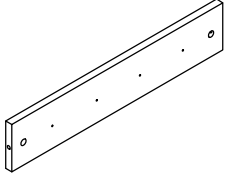
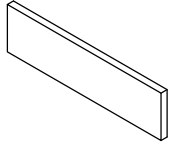
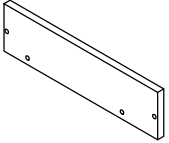
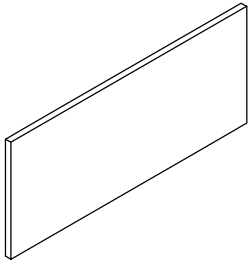
JJ  x3

KK  x3





<p>AA x52</p> 	<p>BB x52</p> 	<p>CC x32</p>  <p>M4*15mm</p>	<p>DD x4</p>  <p>M4*28mm</p>
<p>E x2</p> 	<p>F x2</p> 	<p>G x2</p> 	<p>H x2</p> 
<p>I x3</p>  <p>M5*75mm</p>	<p>J x3</p> 	<p>K x3</p> 	

<p>A x1</p> 	<p>B x1</p> 	<p>C x1</p> 	<p>D x1</p> 	<p>E x1</p> 
<p>F x1</p> 	<p>G x1</p> 	<p>H x1</p> 	<p>I x1</p> 	<p>J x1</p> 
<p>K x1</p> 	<p>L x1</p> 	<p>M x1</p> 	<p>N x1</p> 	<p>O x1</p> 
<p>P x1</p> 	<p>Q x1</p> 	<p>R x1</p> 