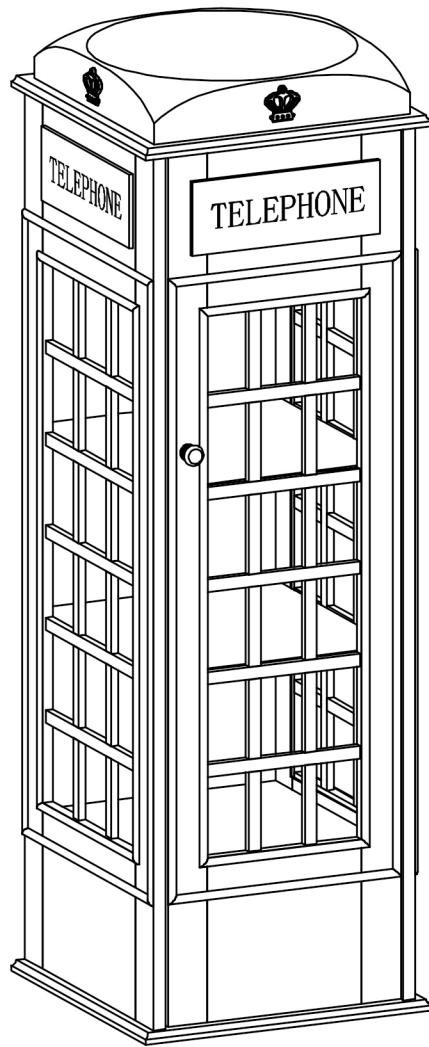
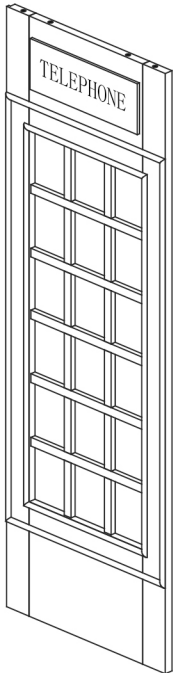


Etagere Bookshelf Installation



PART LIST

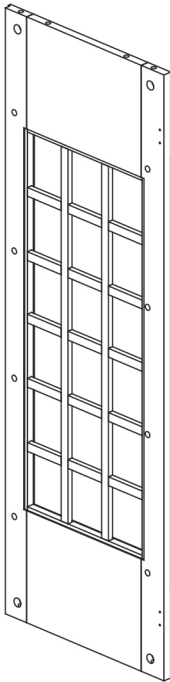
A



Left Board

X 1

B



Right Board

X 1

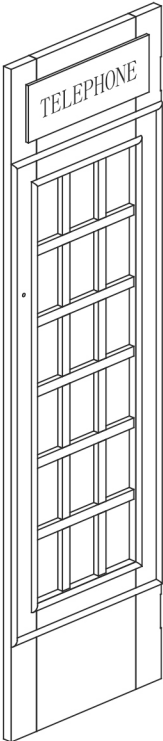
C



Back Board

X 1

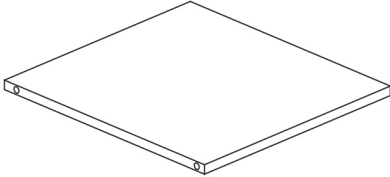
D



Door Board

X 1

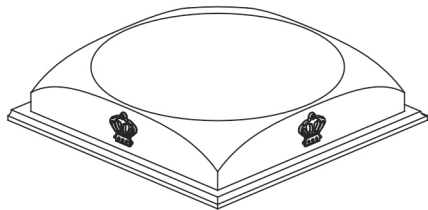
E



Sideboard

X 4

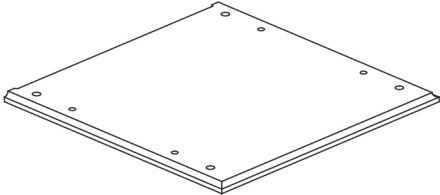
F



Topboard

X 1

G

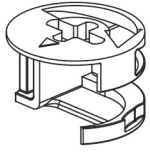


Bottom Board

X 1

PART LIST

1



Ø15x10MM

X 24

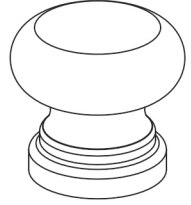
2



Ø6x35MM

X 24

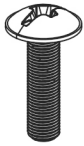
3



Ø30MM

X 1

4



M4x18MM

X 1

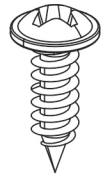
5



Ø8x30MM

X 8

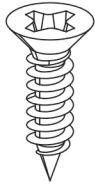
6



Ø3x14MM

X 16

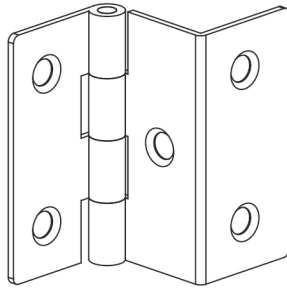
7



Ø3x12MM

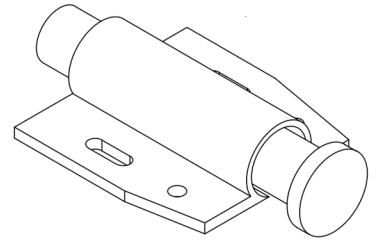
X 10

8



X 2

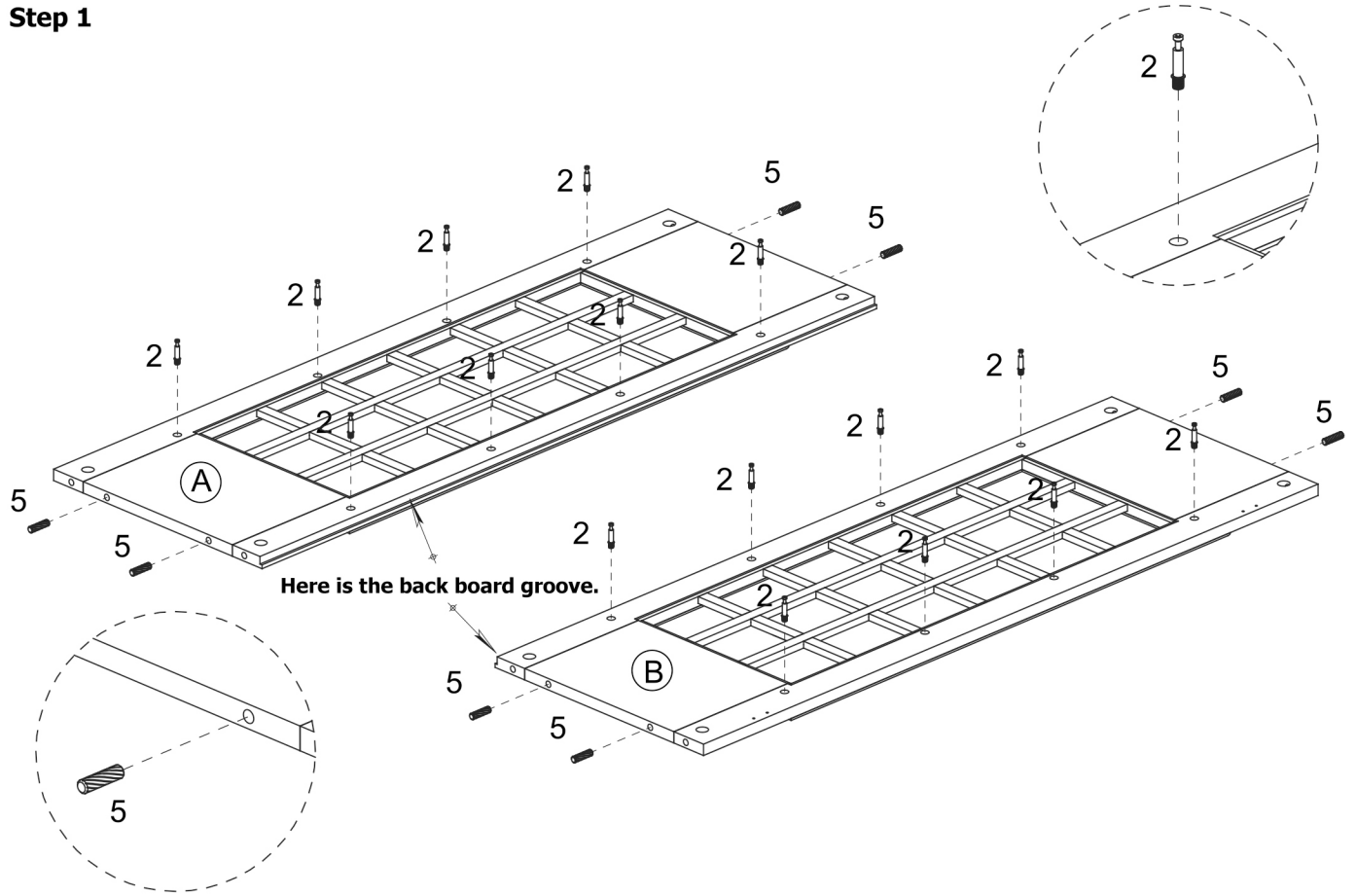
9



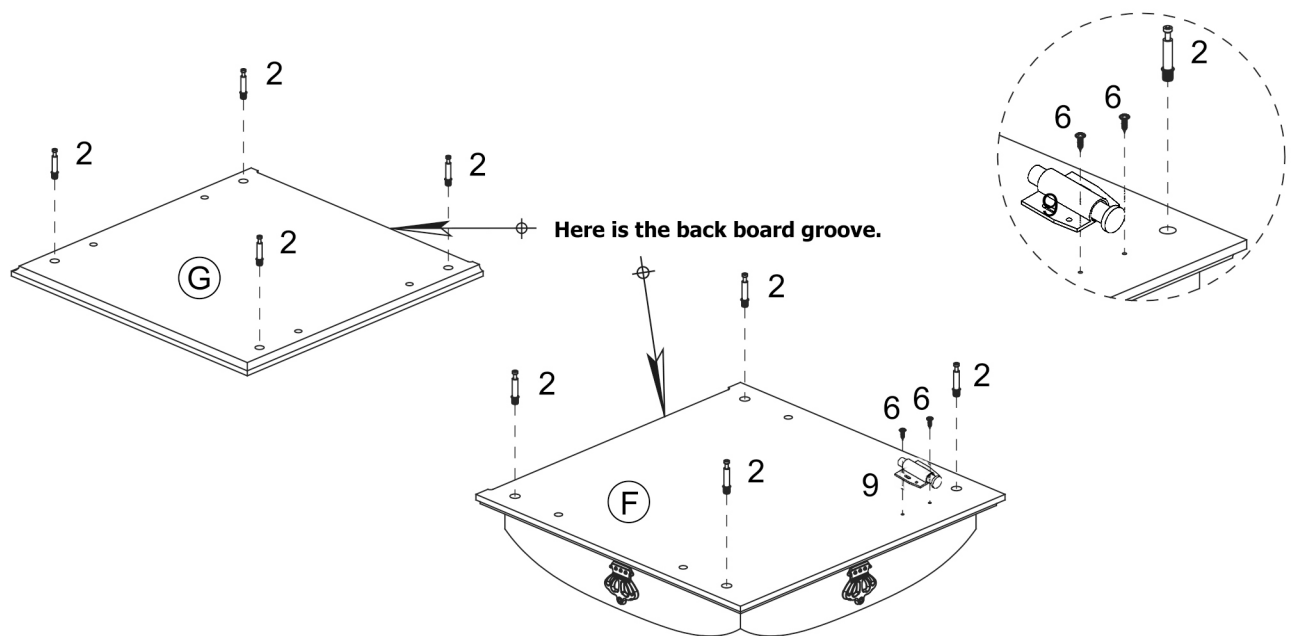
X 1

ASSEMBLY STEP

Step 1

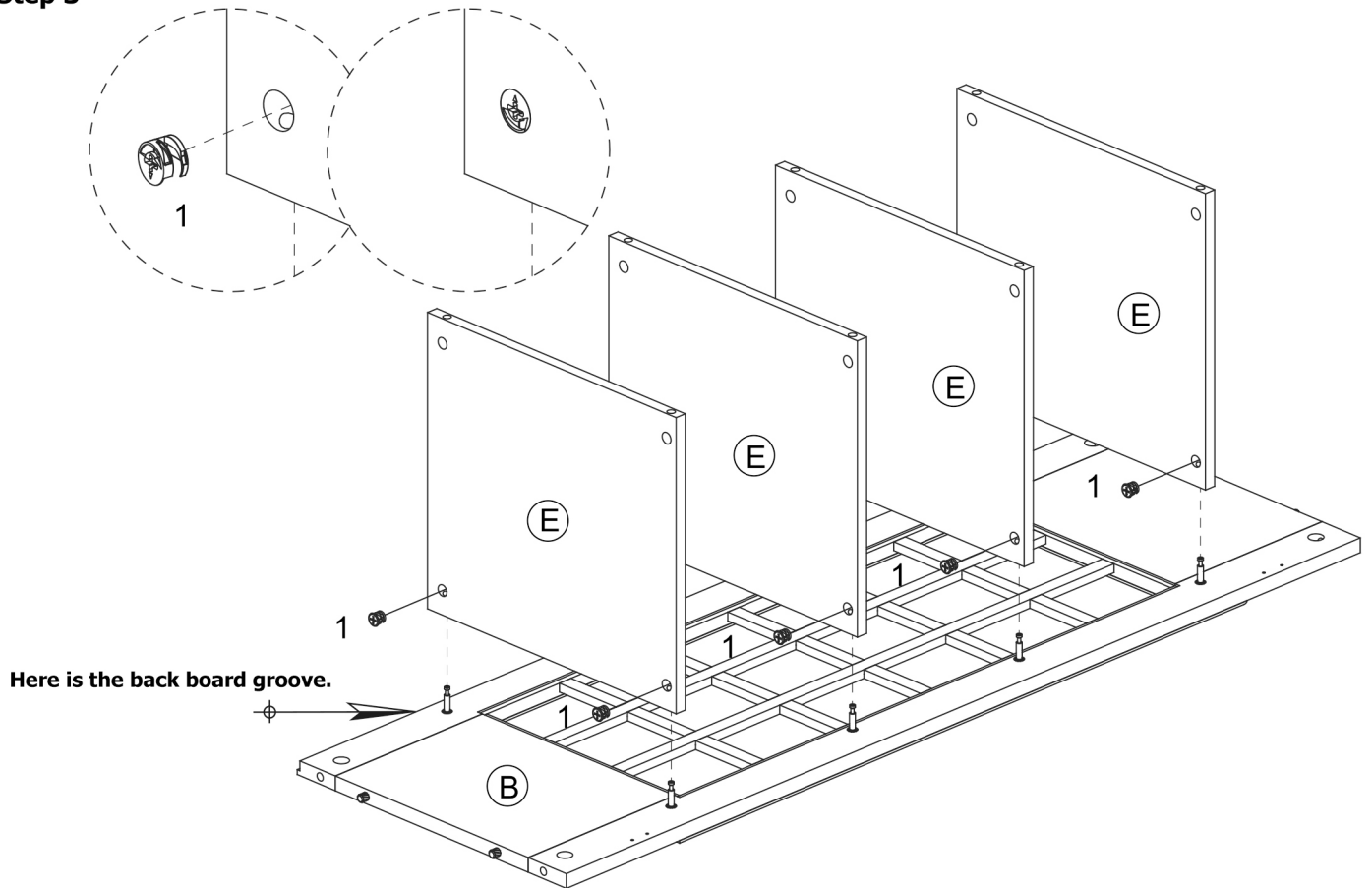


Step 2

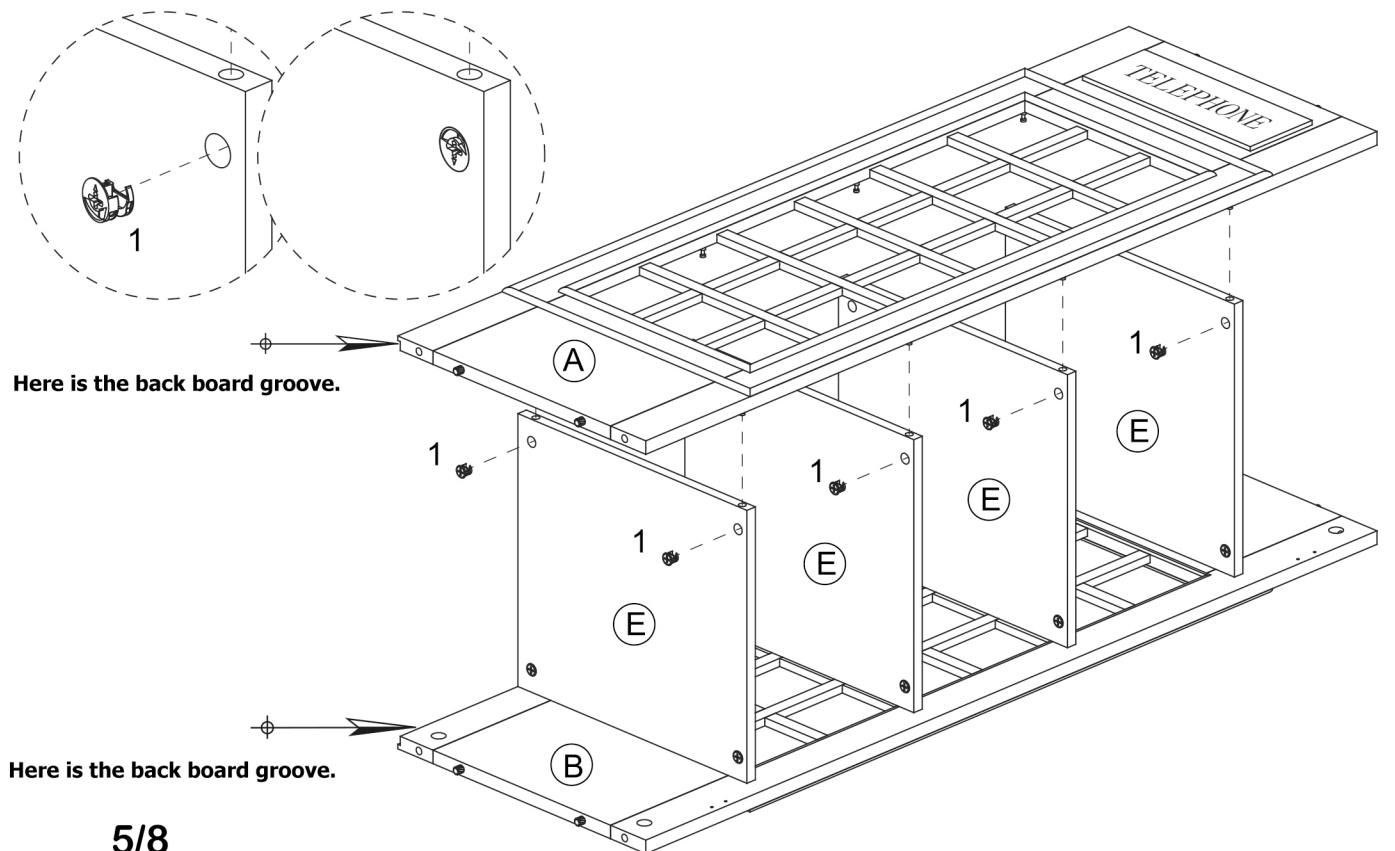


ASSEMBLY STEP

Step 3

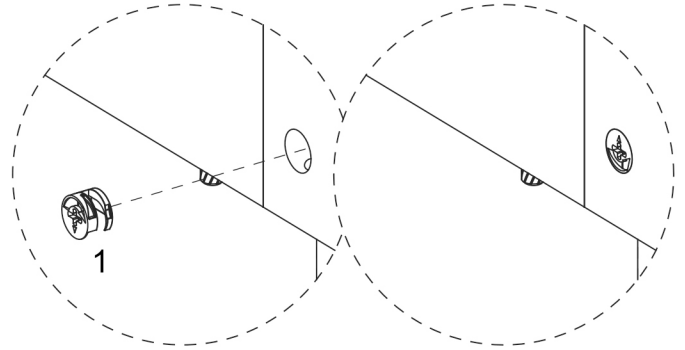
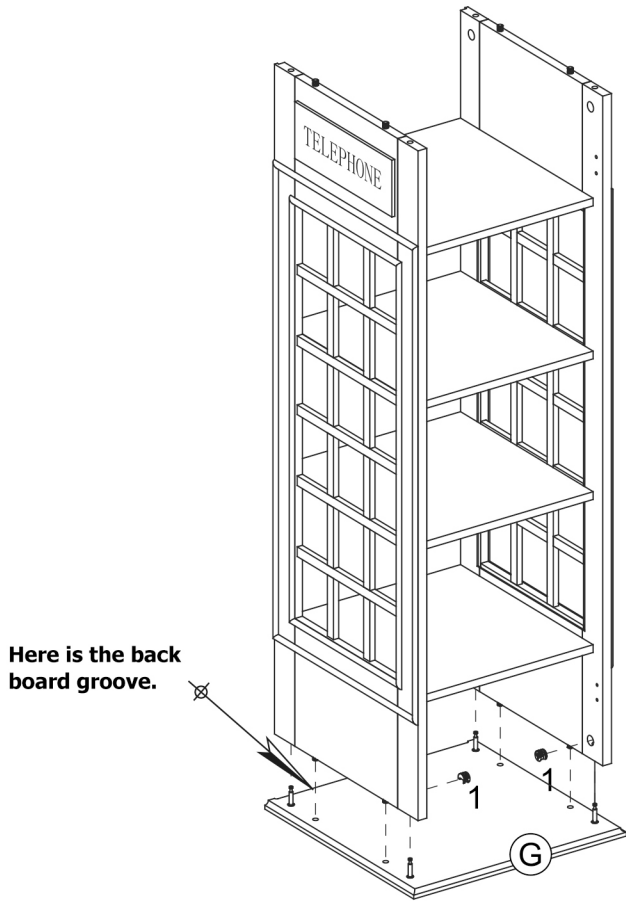


Step 4

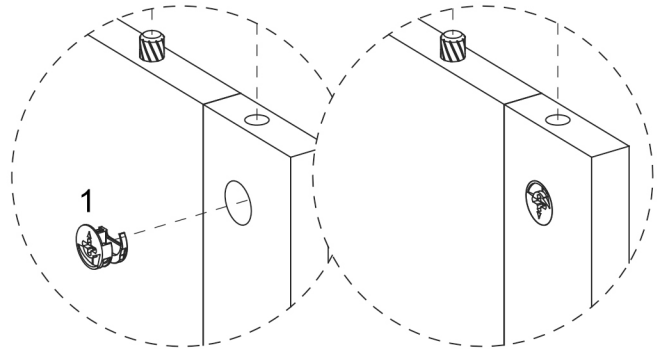
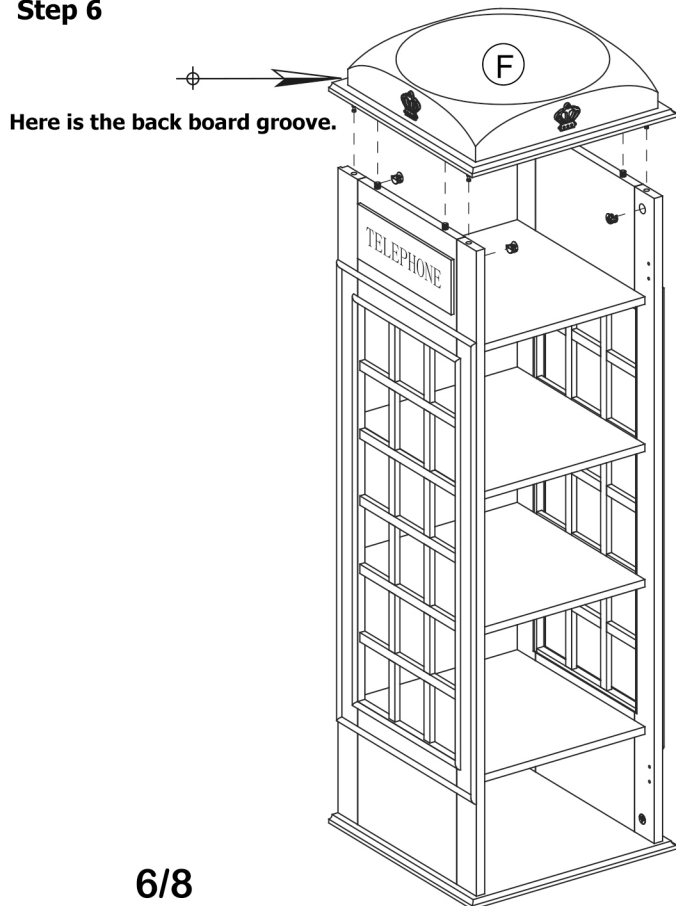


ASSEMBLY STEP

Step 5

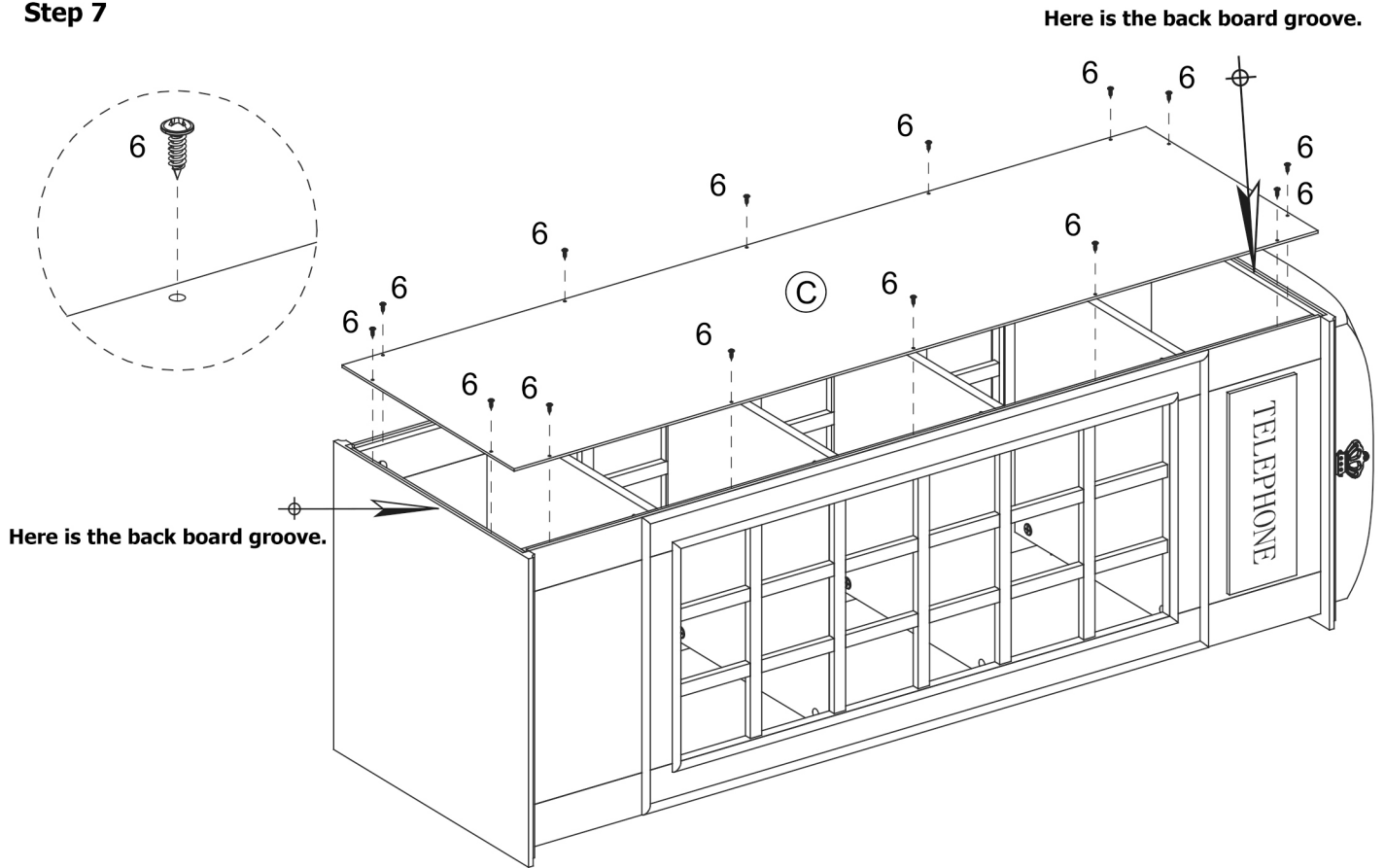


Step 6



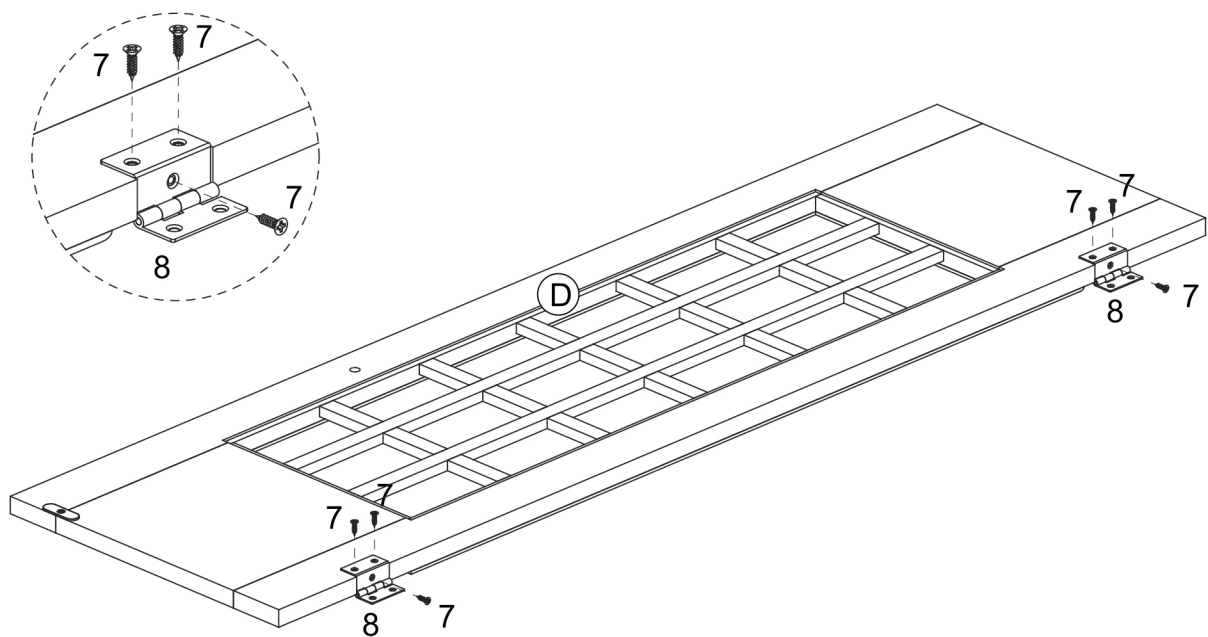
ASSEMBLY STEP

Step 7



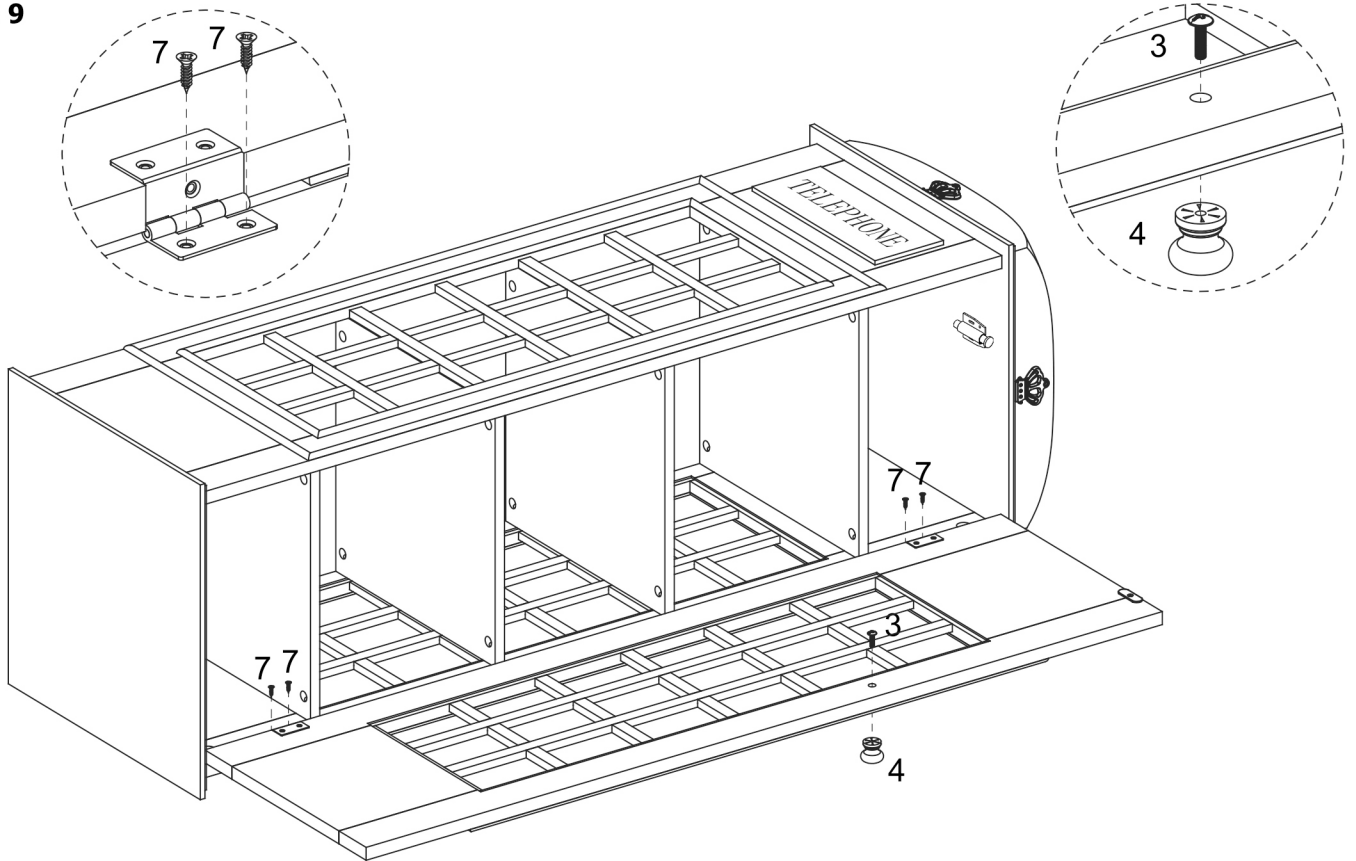
Attention: If you found that Back Board is "a little big", please check if the backboard groove isn't right.

Step 8



ASSEMBLY STEP

Step 9



Step 10

