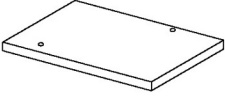
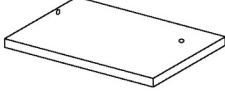
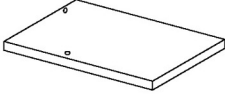
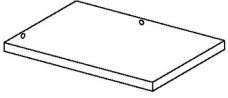
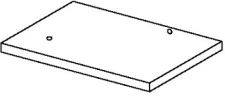
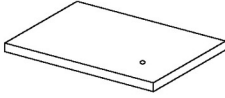
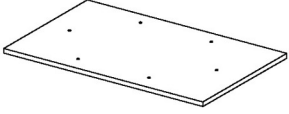









Indoor Planter

Parts List

1x1 	2x1 	3x1 	4x1 
5x1 	6x1 	7x1 	8x1 
9x1 	10x1 	11x1 	12x1 
13x1 	14x1 		

Accessories List

Ax12



M8*30mm

Bx6



M6*35mm

Cx2



M8*35mm

Dx1



M8

Ex1



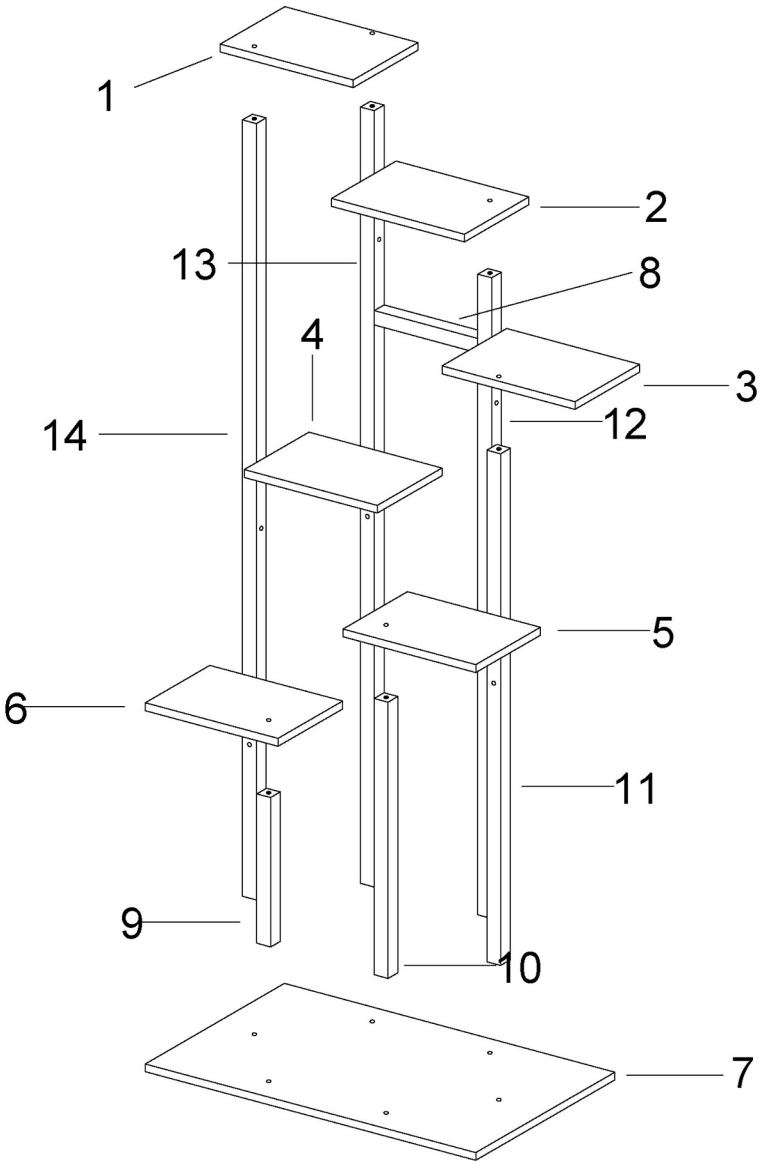
M6

Fx4

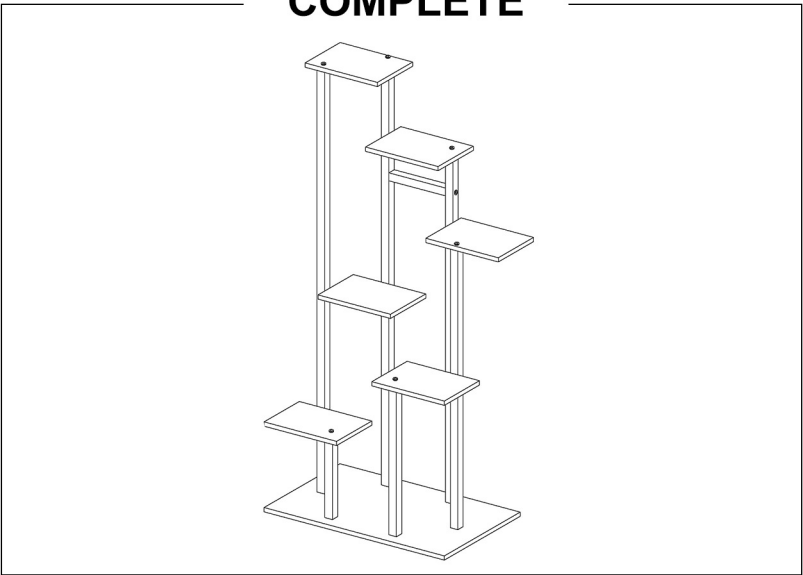


Exploded Views

EXPLODED



COMPLETE



General Guidelines

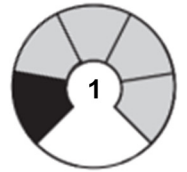
- Do not throw away packing materials until assembly is complete for small parts may come loose inside the carton during shipment. If parts are missing, please contact us.
- Assemble this item on a soft surface, such as carpet to protect the finish.
- During assembly, keep any small part out of reach of children as they may be fatal if swallowed or inhaled. Keep plastic packing bags out of reach of children to avoid any potential danger, such as suffocation.
- Avoid sharp objects and corrosive chemicals to prevent damage to the product or bodily injury.
- Clean with damp cloth. To protect the finish, avoid use chemicals and household cleaners.



TIME



1 People



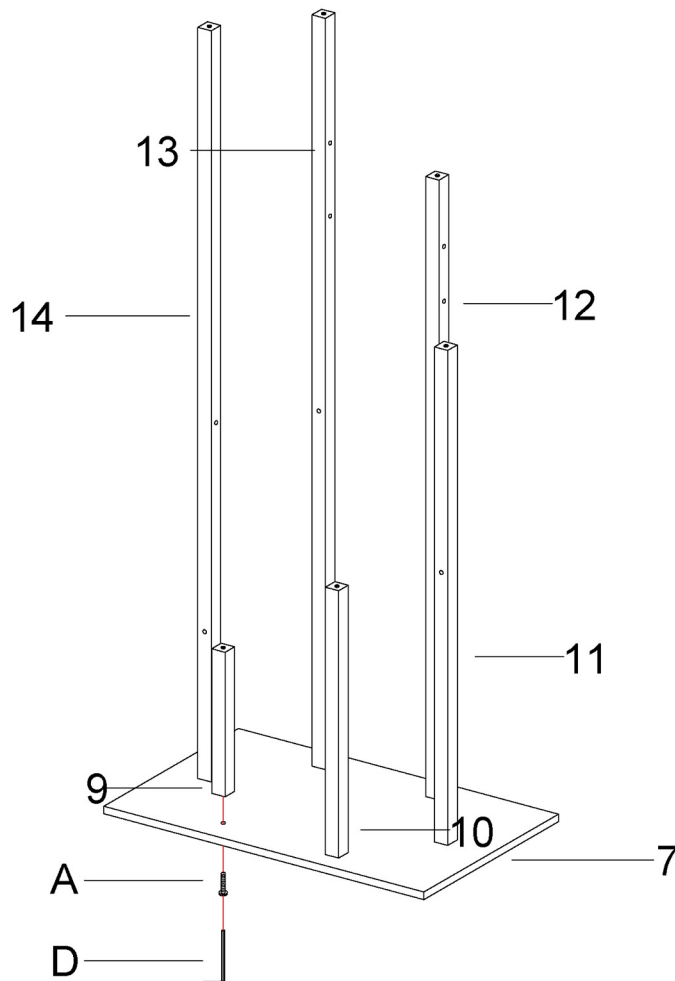
DIFFICULTY

Installation Steps

Step 1

A  x6

D  x1

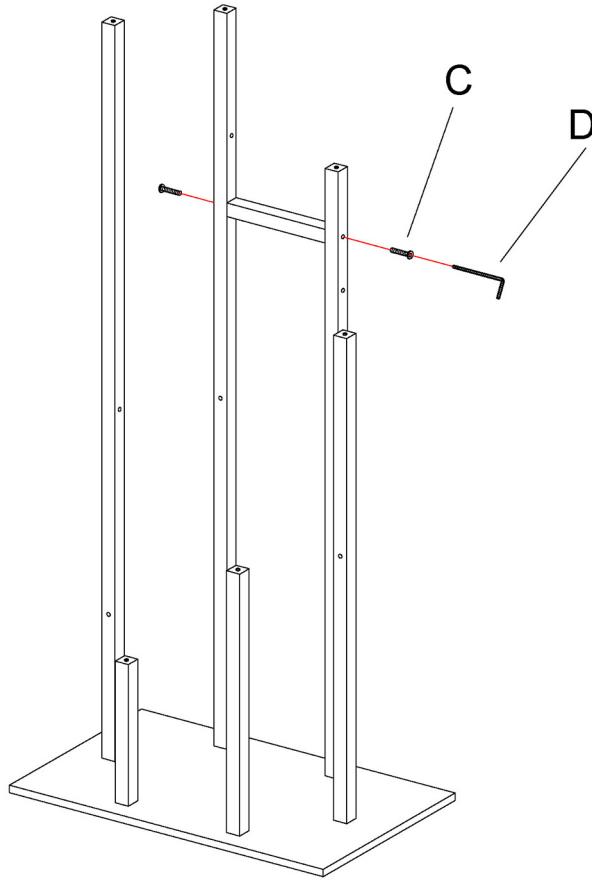


Installation Steps

Step 2

C  x2

D  x1



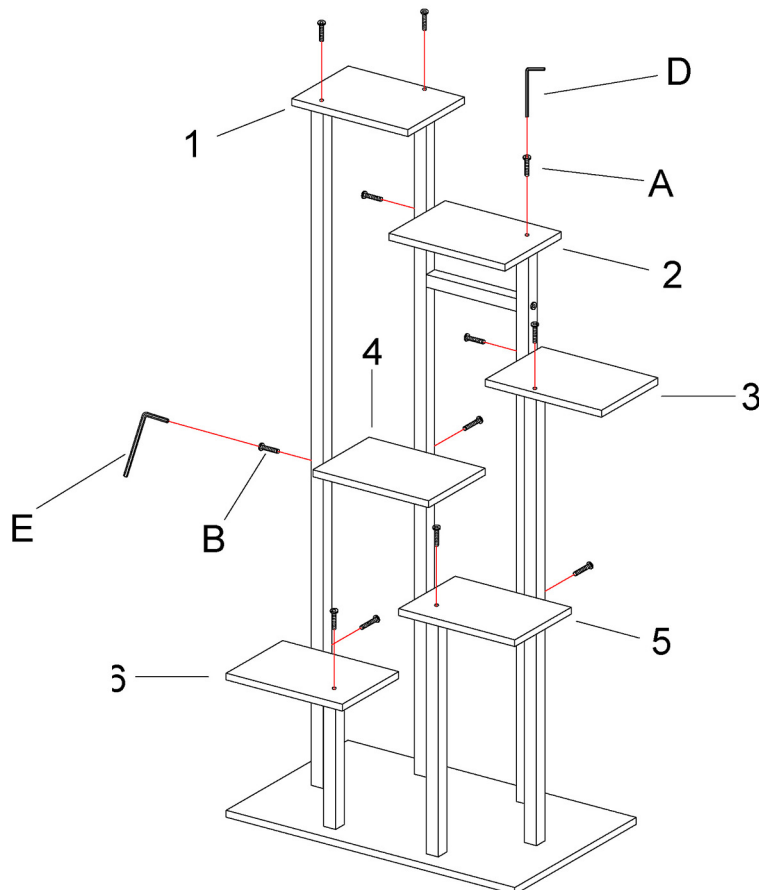
Step 3

A  x6

B  x6

D  x1

E  x1



Installation Steps

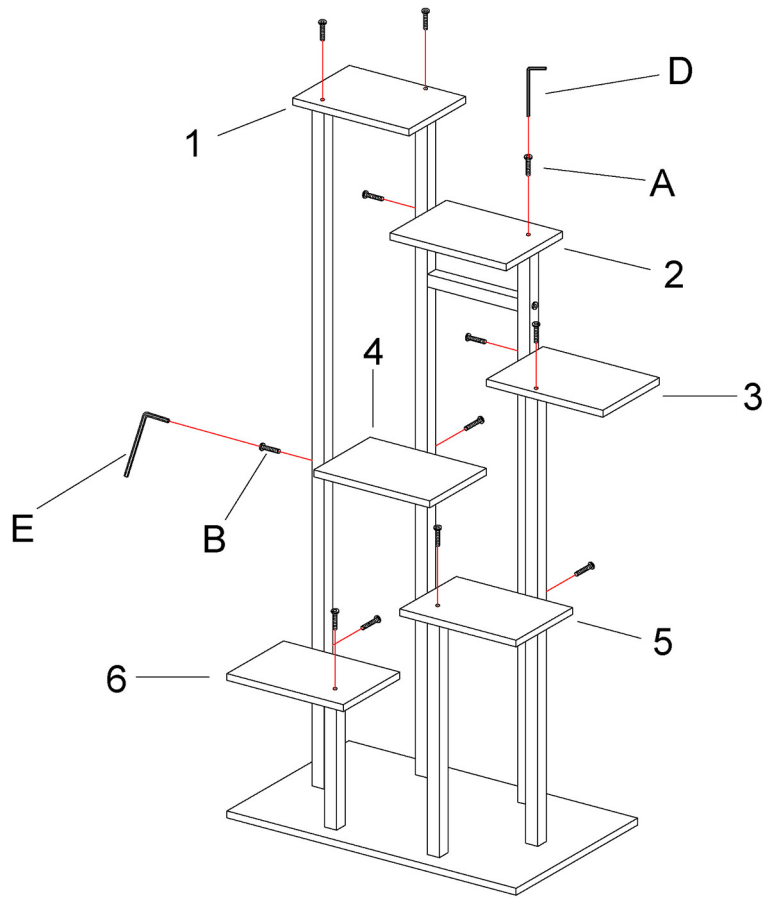
Step 4

A  x6

B  x6

D  x1

E  x1



Step 5

F  x4

