

General Basic Assembly Instructions

General Guidelines..... 02

Warning..... 02

Material Properties..... 02

Assembly Instructions..... 02-08

Use and Maintenance..... 09

Remark :

This is a general instruction. The images in this instruction are for reference only and do not represent the product you purchased.

General Guidelines

- Please read the following instructions carefully and use the product accordingly.
- Please keep this manual and hand it over when you transfer the product.
- Product is intended for indoor use only. It must be assembled and used according to the instructions. The seller does not accept any responsibility for damage or injury resulting from improper assembly or use.
- This summary may not include every detail of all variations and considered steps.
- Please contact us when further information and helps are needed.

Warning

- Children are not allowed to assemble the product. During assembly, keep any small part out of reach of children as they may be fatal if swallowed or inhaled.
- Children are not allowed to stand, climb or play on the product to avoid serious bodily injury by the toppling.
- Keep plastic packing bags out of reach of children to avoid any potential danger, such as suffocation.
- Avoid sharp objects and corrosive chemicals to prevent damage to the product or bodily injury.

Material Properties

1. Solid Wood

Trees will have a unique texture, scar, color and other natural marks during their growth. These elements constitute the natural beauty of wood. After being made into furniture, there will be slight discoloration when viewed under different light and different angles. That is because different grain minerals and light intensity affect vision, which is a normal phenomenon.

2. Marble and Sintered Stone

The pattern of marble and sintered stone is unique to each piece. Due to the characteristics of the material, there is no guarantee that the pattern of each piece will be consistent with the pattern seen at the time of purchase.

Assembly Instructions

· Read these instructions carefully and keep for future reference. Refer to parts inventory for guidance, and ensure you have all pieces before starting.

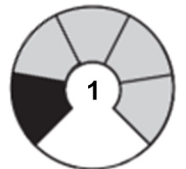
· **When assembling place all parts on a soft, clean, and flat surface such as a carpet to prevent scratches.**



TIME



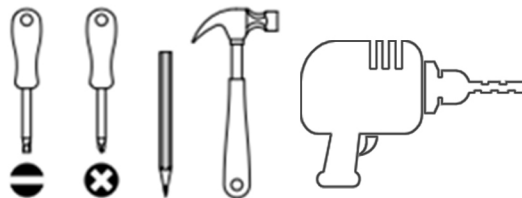
1-2 people



DIFFICULTY

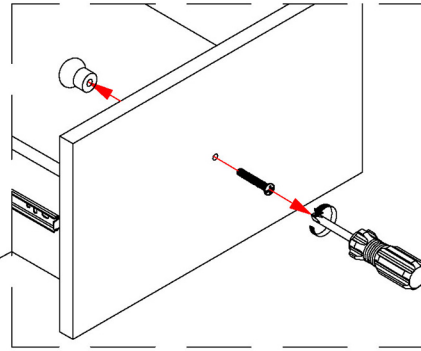
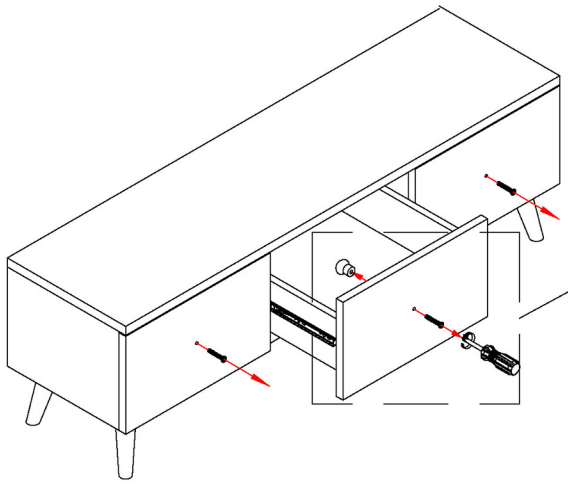
Do not discard any contents until after assembly is complete to avoid accidentally discarding small parts or hardware.

TOOLS YOU MAY NEED

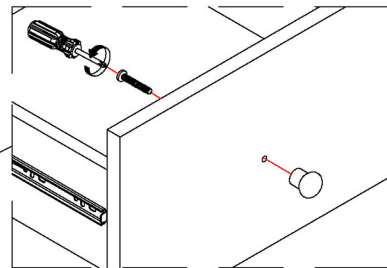
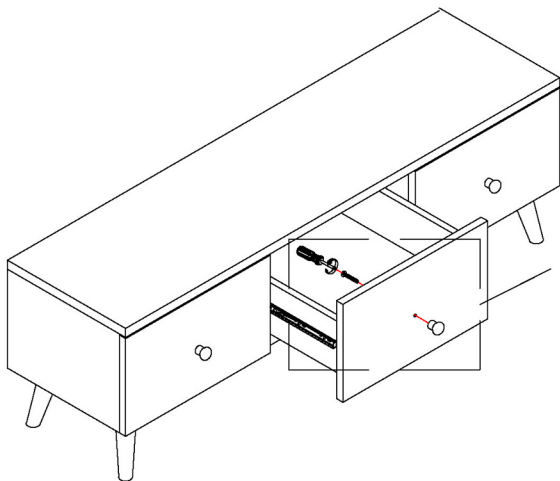


Note: It is recommended that installation of the product be done by a qualified licensed furniture assembler.

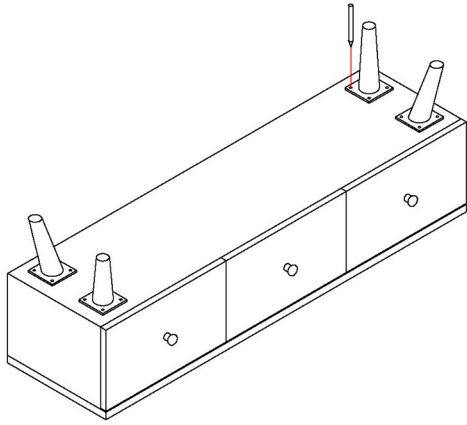
A: Drawer/cabinet handles installation(they might be preinstalled behind the drawer panel):



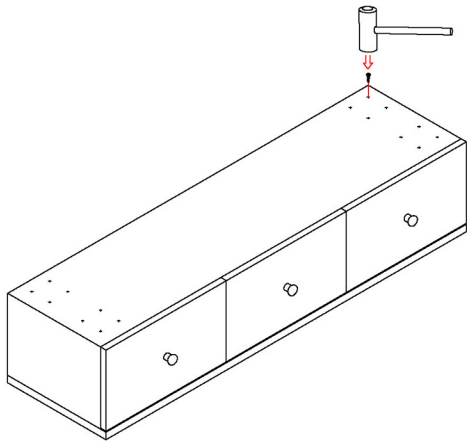
remove the pre-installed handle from the back of the drawer panel and install it in the front



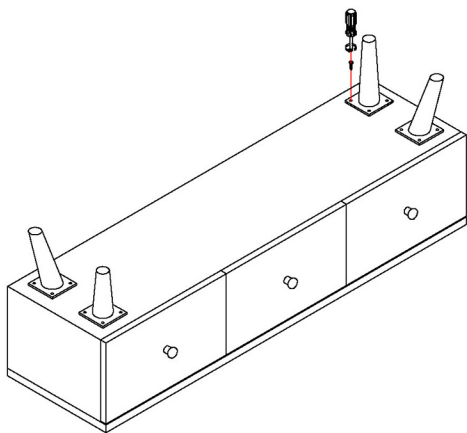
B: Furniture legs installation with self-tapping screws:



Mark the installation holes with a pencil.

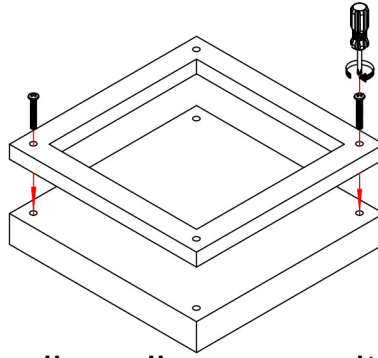


Hamm the screw lightly on the marks to leave the dents.

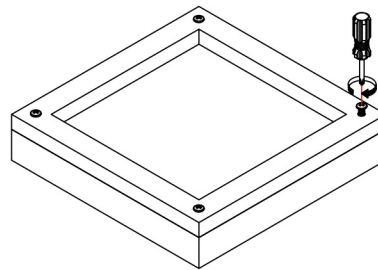
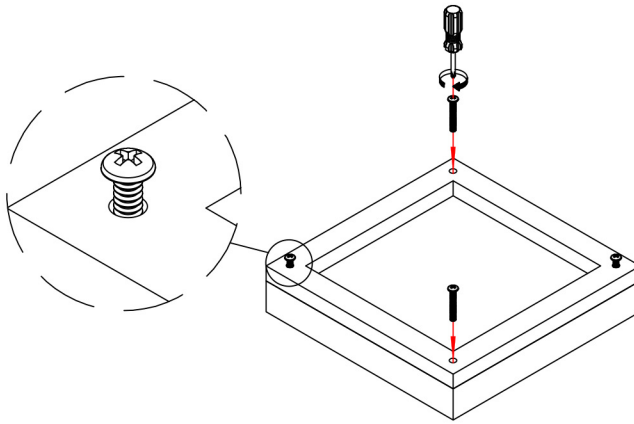


Install the legs by tighten the screws from the dents

C: Parts installation with pre drilled holes and screws

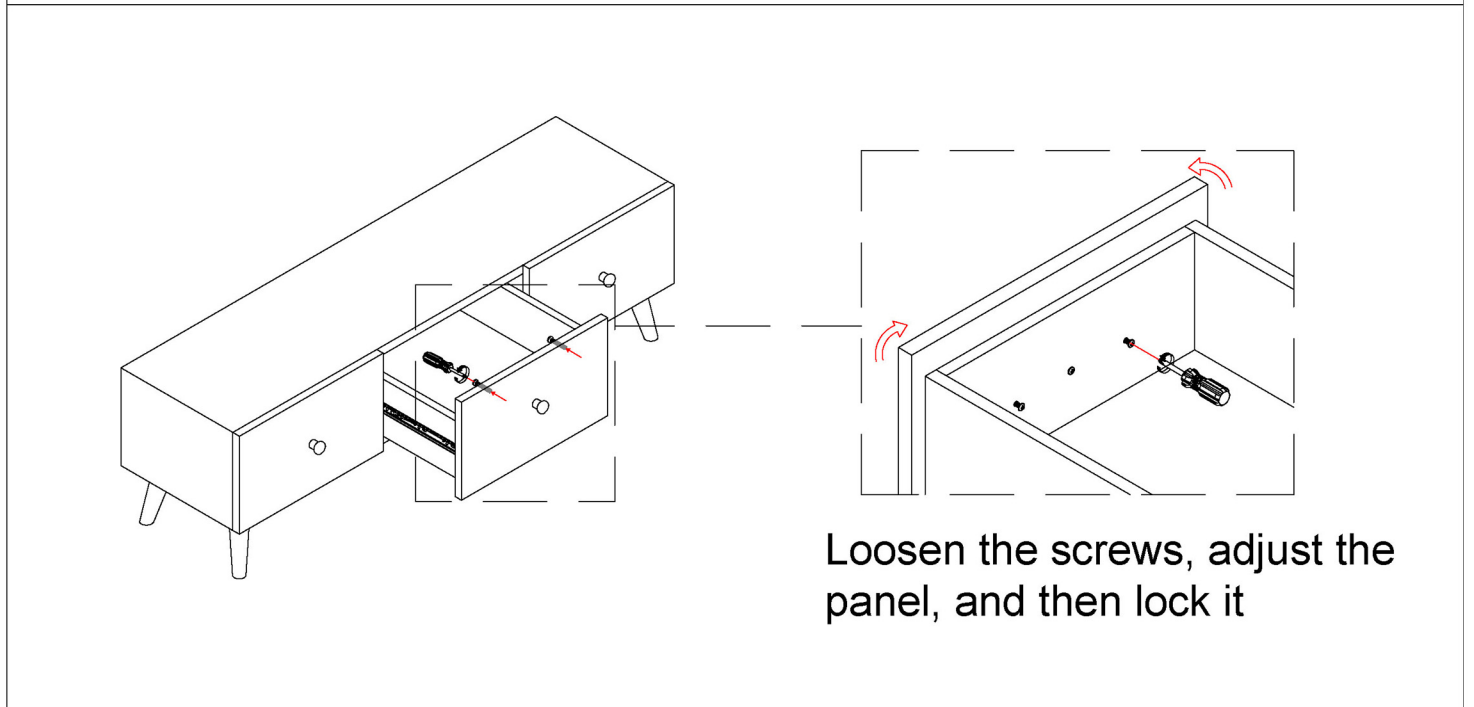
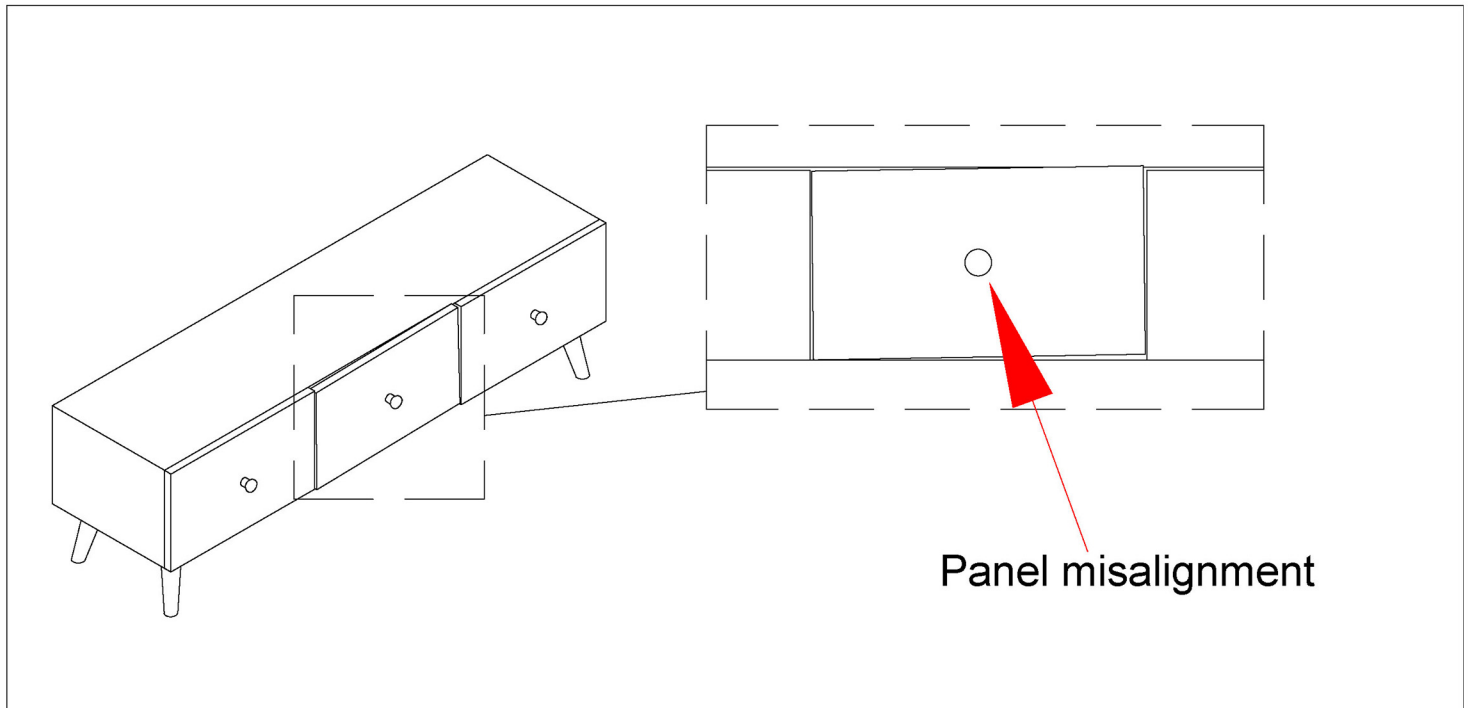


During assembly, align all screws with the corresponding pre-drilled holes first and then tighten them one by one.

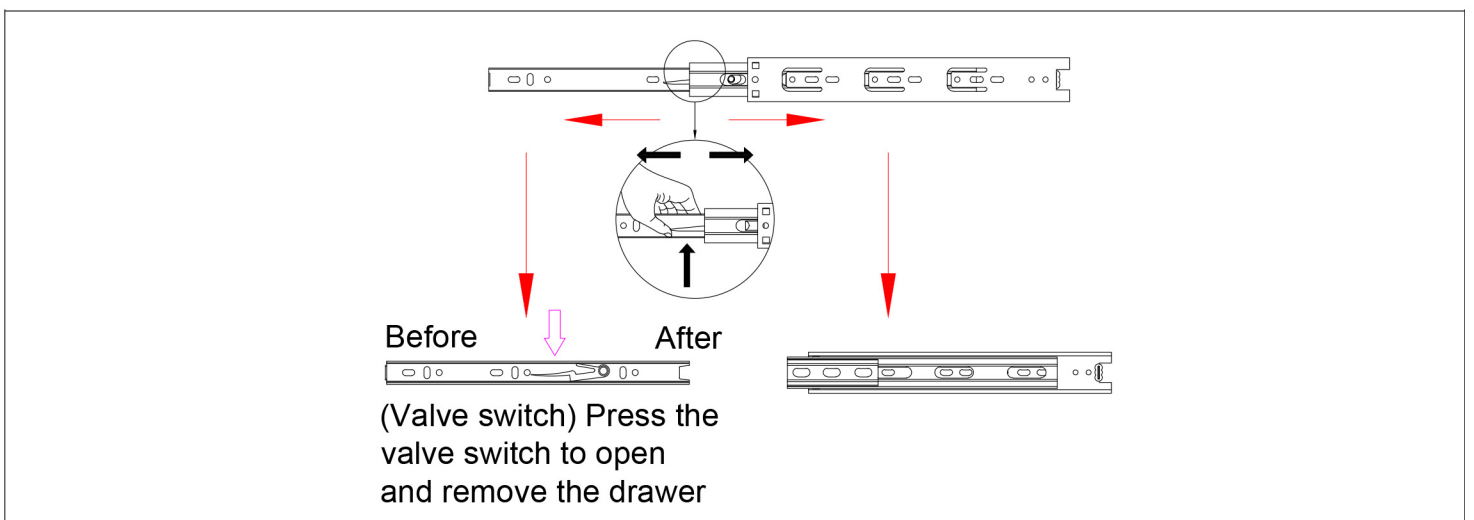


tighten them one by one at the end.

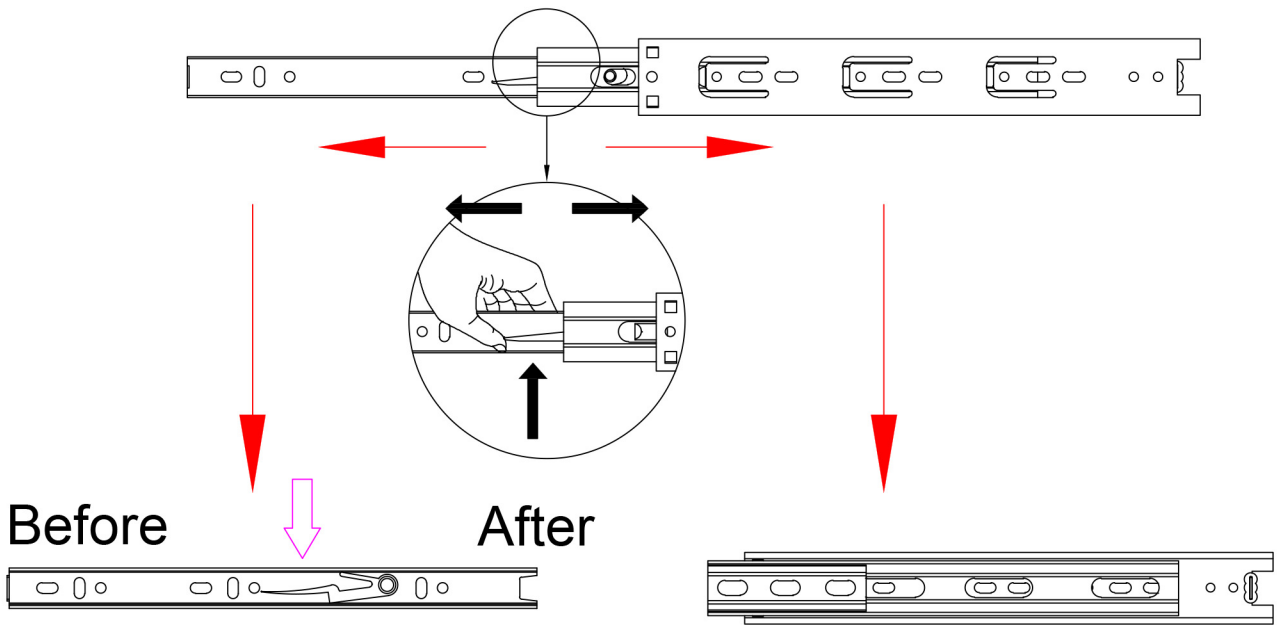
D: Drawer panel adjustment(they might not level or couldn't be closed after a long way delivery):



E: Drawer slide check and disassembly(they might be off track after long way delivery):



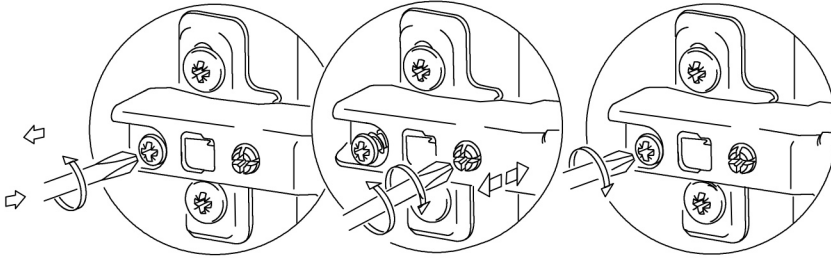
E: Drawer slide check and disassembly(they might be off track after long way delivery):



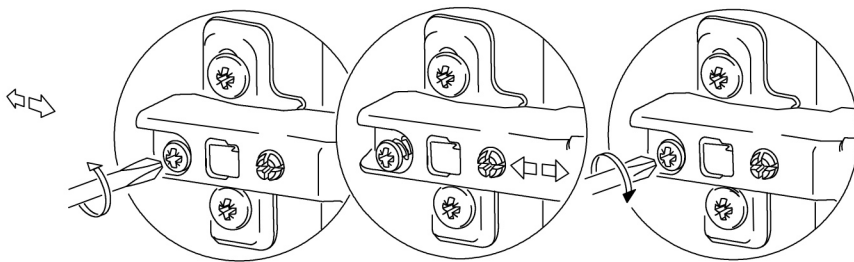
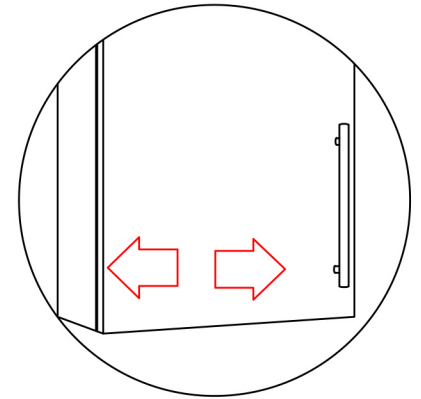
Before **After**

(Valve switch) Press the valve switch to open and remove the drawer

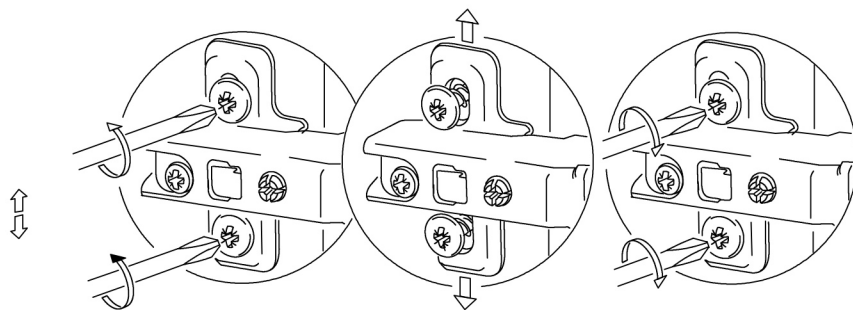
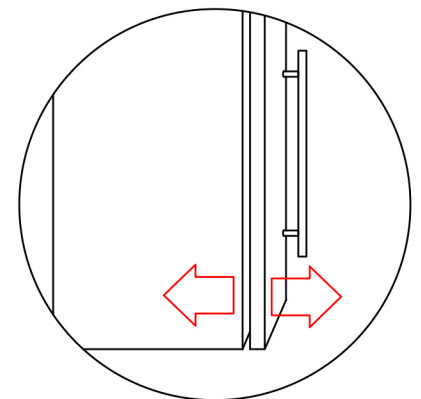
F: Hinges adjustment(Please adjust the hinges when the cabinet doors are not level or couldn't be closed):



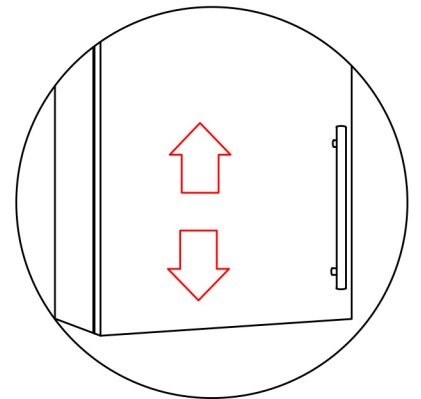
Screw off to fix the door left and right



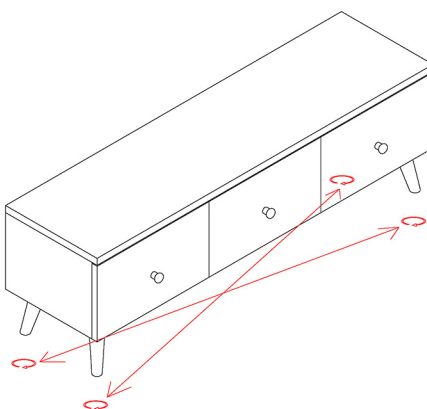
Screw off to fix the door front and back



Screw off to fix the door up and down



G: Level legs adjustment(adjust the level legs when the furniture is lightly not level or wobbly):



1. Place the installed item on the level floor. Check if all legs (with adjustable level legs) are touching the floor.
2. Adjust the level legs height of the untouched foot and its diagonally opposite foot the same time until all feet touch the floor

Use and Maintenance

1. Keep the furniture vacant for half a month before use, and maintain good indoor ventilation to eliminate the residual odor in furniture surface coating.
2. Place the objects smoothly, Heavier objects should be placed at the bottom (layer) of the furniture to avoid the furniture from tipping over. Heavy objects should not be placed on the top of the wardrobe, so as not to cause the top plate to deform and sag and affect the opening of the cabinet door, high-temperature or frozen objects should be padded with high-temperature-resistant mats and placed on the furniture. Heavier or harder objects should be placed on the furniture table with a soft decorative tablecloth or a felt for protection.
3. Do not push hard objects directly on the furniture to avoid scratching the surface of the furniture.
4. Do not expose the furniture to sunlight for a long time or place the furniture close to the heating equipment, which can cause localized discoloration and fading.
5. Please avoid long-term exposure to humid environment to prevent mildew.
6. Place the furniture stably to avoid breaking the furniture feet or loosening the connection parts due to inclination.
7. Do not let items that are flammable and oxidizing touch the surface of the furniture, which may cause chemical reactions and damage to the furniture finishing.
8. Teach children not to play close to the glass sharp angles of furniture avoid accidental physical injury and damage to the furniture.
9. Open the doors and drawers of the furniture with appropriate force, and it is strictly forbidden to open and close them violently, which will cause loose connections.
10. Screws may become loose during long-term use. If necessary, retighten them to ensure stability and security.